

# HIGH PERFORMANCE PRODUCTS

▶ Race Pro,  
Muscle Car,  
Hotrod  
Radiators

▶ Cooling  
Fan Shrouds  
& Assemblies

▶ Custom Kit  
Radiators

▶ Diesel Truck  
Pickup  
Radiators

▶ Sport  
Compact  
Radiators

▶ High  
Performance  
Products

[www.NorthernRadiator.com](http://www.NorthernRadiator.com)



# Table of Contents

---

➤ Muscle Car Radiator Application .....	1-73
Muscle Car Illustrations .....	74-87
Muscle Car Conversion Radiator Illustrations .....	88-90
<hr/>	
➤ Sport Compact Radiator Applications .....	91-94
Sport Compact Radiator Illustrations .....	95-98
<hr/>	
➤ Diesel Pickup Radiator Applications .....	99-100
Diesel Pickup Radiator Illustrations .....	101-102
Diesel Pickup Charge Air Cooler Applications .....	103-104
Diesel Pickup Charge Air Cooler Illustrations .....	105-107
Turbo Intercoolers .....	108-109
<hr/>	
➤ Custom Radiator Kits .....	110-111
Custom Radiator Illustrations .....	112-116
Custom Radiator Accessories .....	117-118
<hr/>	
➤ Airboat Radiators .....	119-121
<hr/>	
➤ Hotrod Radiators .....	122-127
Hotrod Air Conditioning .....	128
<hr/>	
➤ Race Pro Radiators .....	129-136
<hr/>	
➤ Fan Shrouds .....	137-151
<hr/>	
➤ High Performance Products .....	152-166
<hr/>	
➤ Oil/Fluid Coolers .....	167-170
<hr/>	
➤ High Performance Heaters .....	171-172
<hr/>	
➤ Classic Copper Radiators .....	173
Classic Fuel Tanks .....	174-175
Classic Sending Units .....	176-180
Classic Heater Cores .....	181-184



## For Street Vehicles

➤ Featuring Northern Radiator Cooling Technology

- Lighter than copper/brass, but provides up to 75% more cooling capacity!
- Extra heavy reinforced die stamped tanks mean fewer seams and fewer leaks.
- Thick hose connection for durable, no leak plumbing!

### Features:

- Application (vehicle) specific design for maximum cooling.
- All welded construction - No Gaskets!
- Automatic transmission models use a Northern ultra performance 7 plate aluminum transmission cooler.
- 75+ models cover hundreds of truck and passenger car applications.
- Billet machined filler neck for better pressure control.

Year	Engine	Notes	Muscle Car M / T	Radiator A / T	Hurricane Engine Driven Fan Shroud	SINGLE Fan Assembly Up to 390HP	DUAL Fan Assembly Up to 390HP	MAX Fan Assembly Over 390HP
<b>AMC</b>								
<b>AMX</b>								
1974	All		205185	205185	-----	-----	Z40106	-----
1973	All		205185	205185	-----	-----	Z40106	-----
1972	All		205185	205185	-----	-----	Z40106	-----
1971	All		205185	205185	-----	-----	Z40106	-----
1970	All		205185	205185	-----	-----	Z40106	-----
1969	All		205185	205185	-----	-----	Z40106	-----
1968	All		205185	205185	-----	-----	Z40106	-----
<b>JAVELIN</b>								
1974	All		205185	205185	-----	-----	Z40106	-----
1973	All		205185	205185	-----	-----	Z40106	-----
1972	All		205185	205185	-----	-----	Z40106	-----
1971	All		205185	205185	-----	-----	Z40106	-----
1970	All		205185	205185	-----	-----	Z40106	-----
1969	All		205185	205185	-----	-----	Z40106	-----
1968	All		205185	205185	-----	-----	Z40106	-----
<b>BUICK</b>								
<b>CENTURY</b>								
1981	3.8L 231 V6		205057	205028	Z40034	-----	-----	Z40084
	4.3L 265 V8		205056	205027	-----	-----	Z40006	Z40082
	4.4L 267 V8		205056	205027	-----	-----	Z40006	Z40082
	4.9L 301 V8		205056	205027	-----	-----	Z40006	Z40082
	5.0L 305 V8		205056	205027	-----	-----	Z40006	Z40082
1980	3.8L 231 V6		205057	205028	Z40034	-----	-----	Z40084
	4.9L 301 V8		205057	205028	Z40034	-----	-----	Z40084
	5.0L 305 V8		205057	205028	Z40034	-----	-----	Z40084
	5.7L 350 V8		205057	205028	Z40034	-----	-----	Z40084
1979	3.2L 196 V6		205057	205028	Z40034	-----	-----	Z40084
	3.8L 231 V6		205057	205028	Z40034	-----	-----	Z40084
	5.0L 305 V8		205056	205027	-----	-----	Z40006	Z40082
	5.7L 350 V8		205056	205027	-----	-----	Z40006	Z40082
1978	3.2L 196 V6		205056	205027	-----	-----	Z40006	Z40082
	3.8L 231 V6		205056	205027	-----	-----	Z40006	Z40082
	5.0L 305 V8		205056	205027	-----	-----	Z40006	Z40082
	5.7L 350 V8		205056	205027	-----	-----	Z40006	Z40082
1977	3.8L 231 V6		205055	205026	Z40026	-----	Z40004	Z40099
	5.7L 350 V8		205055	205026	Z40026	-----	Z40004	Z40099
	6.6L 403 V8		205055	205026	Z40026	-----	Z40004	Z40099
1976	3.8L 231 V6		205055	205026	Z40026	-----	Z40004	Z40099
	5.7L 350 V8		205055	205026	Z40026	-----	Z40004	Z40099
	7.4L 455 V8		205055	205026	Z40026	-----	Z40004	Z40099
1975	3.8L 231 V6		205055	205026	Z40026	-----	Z40004	Z40099
	5.7L 350 V6		205055	205026	Z40026	-----	Z40004	Z40099
1974	5.7L 350 V8		205055	205026	Z40026	-----	Z40004	Z40099
	7.4L 455 V8		205055	205026	Z40026	-----	Z40004	Z40099
1973	5.7L 350 V8		205055	205026	Z40026	-----	Z40004	Z40099
<b>REGAL</b>								
1987	3.8L 231 V6		205057	205028	Z40034	-----	-----	Z40084
	5.0L 307 V6		205056	205027	-----	-----	Z40006	Z40082
1986	3.8L 231 V6		205057	205028	Z40034	-----	-----	Z40084
	5.0L 305 V8		205056	205027	-----	-----	Z40006	Z40082
1985	3.8L 231 V6		205056	205027	-----	-----	Z40006	Z40082
	5.0L 305 V8		205056	205027	-----	-----	Z40006	Z40082
1984	3.8L 231 V6		205057	205028	Z40034	-----	-----	Z40084
	4.1L 252 V6		205057	205028	Z40034	-----	-----	Z40084
	5.0L 305 V8		205056	205027	-----	-----	Z40006	Z40082
1983	3.8L 231 V6		205057	205028	Z40034	-----	-----	Z40084

Year	Engine	Notes	Muscle Car Radiator M / T	Muscle Car Radiator A / T	Hurricane Engine Driven Fan Shroud	SINGLE Fan Assembly Up to 390HP	DUAL Fan Assembly Up to 390HP	MAX Fan Assembly Over 390HP
<b>BUICK</b>								
<b>REGAL (CONT.)</b>								
1983	4.1L 252 V6		205057	205028	Z40034	-----	-----	Z40084
	5.0L 305 V8		205056	205027	-----	-----	Z40006	Z40082
1982	3.8L 321 V6		205057	205028	Z40034	-----	-----	Z40084
	4.1L 252 V6		205057	205028	Z40034	-----	-----	Z40084
	4.4L 267 V8		205056	205027	-----	-----	Z40006	Z40082
	5.0L 305 V8		205056	205027	-----	-----	Z40006	Z40082
1981	3.8L 231 V6		205057	205028	Z40034	-----	-----	Z40084
	4.1L 252 V6		205057	205028	Z40034	-----	-----	Z40084
	4.3L 265 V8		205056	205027	-----	-----	Z40006	Z40082
	4.9L 301 V8		205056	205027	-----	-----	Z40006	Z40082
1980	3.8L 231 V6		205057	205028	Z40034	-----	-----	Z40084
	4.1L 252 V6		205057	205028	Z40034	-----	-----	Z40084
	4.9L 301 V8		205056	205027	-----	-----	Z40006	Z40082
	5.0L 305 V8		205056	205027	-----	-----	Z40006	Z40082
1979	3.2L 196 V6	CHECK OEM DIMENSIONS	205057	205028	Z40034	-----	-----	Z40084
	3.8L 231 V6	CHECK OEM DIMENSIONS	205057	205028	Z40034	-----	-----	Z40084
	4.9L 301 V8		205056	205027	-----	-----	Z40006	Z40082
	5.0L 305 V8		205056	205027	-----	-----	Z40006	Z40082
1978	3.2L 196 V6		205056	205027	-----	-----	Z40006	Z40082
	3.8L 231 V6		205056	205027	-----	-----	Z40006	Z40082
	5.0L 305 V8		205056	205027	-----	-----	Z40006	Z40082
	5.7L 350 V8		205056	205027	-----	-----	Z40006	Z40082
1977	3.8L 231 V6		205055	205026	Z40026	-----	Z40004	Z40099
	5.7L 350 V8		205055	205026	Z40026	-----	Z40004	Z40099
	6.6L 403 V8		205055	205026	Z40026	-----	Z40004	Z40099
1976	3.8L 231 V6		205055	205026	Z40026	-----	Z40004	Z40099
	5.7L 350 V8		205055	205026	Z40026	-----	Z40004	Z40099
	7.4L 455 V8		205055	205026	Z40026	-----	Z40004	Z40099
1975	3.8L 231 V6		205055	205026	Z40026	-----	Z40004	Z40099
	5.7L 350 V8		205055	205026	Z40026	-----	Z40004	Z40099
1974	5.7L 350 V8		205055	205026	Z40026	-----	Z40004	Z40099
	7.4L 455 V8		205055	205026	Z40026	-----	Z40004	Z40099
1973	3.8L 231 V6		205055	205026	Z40026	-----	Z40004	Z40099
	5.7L 350 V8		205055	205026	Z40026	-----	Z40004	Z40099
<b>RIVIERA</b>								
1985	3.8L 231 V6		205055	205026	Z40026	-----	Z40004	Z40099
	5.0L 307 V8		205055	205026	Z40026	-----	Z40004	Z40099
1984	3.8L 231 V6		205055	205026	Z40026	-----	Z40004	Z40099
	4.1L 252 V6		205055	205026	Z40026	-----	Z40004	Z40099
	5.0L 307 V8		205055	205026	Z40026	-----	Z40004	Z40099
1983	3.8L 231 V6		205055	205026	Z40026	-----	Z40004	Z40099
	4.1L 252 V6		205055	205026	Z40026	-----	Z40004	Z40099
	5.0L 307 V8		205055	205026	Z40026	-----	Z40004	Z40099
1982	3.8L 231 V6		205055	205026	Z40026	-----	Z40004	Z40099
	4.1L 252 V6		205055	205026	Z40026	-----	Z40004	Z40099
	5.0L 307 V8	CHECK OEM DIMENSIONS	205055	205026	Z40026	-----	Z40004	Z40099
1981	3.8L 231 V6	TURBO	205055	205026	Z40026	-----	Z40004	Z40099
	4.1L 252 V6		205055	205026	Z40026	-----	Z40004	Z40099
	5.0L 307 V8		205055	205026	Z40026	-----	Z40004	Z40099
	5.7L 350 V8		205055	205026	Z40026	-----	Z40004	Z40099
1980	3.8L 231 V6	TURBO	205055	205026	Z40026	-----	Z40004	Z40099
	5.7L 350 V8		205055	205026	Z40026	-----	Z40004	Z40099
1979	3.8L 231 V6		205055	205026	Z40026	-----	Z40004	Z40099
	5.7L 350 V8	CHECK OEM DIMENSIONS	205055	205026	Z40026	-----	Z40004	Z40099
1978	5.7L 350 V8	CHECK OEM DIMENSIONS	205055	205026	Z40026	-----	Z40004	Z40099
1977	3.8L 231 V6		205055	205026	Z40026	-----	Z40004	Z40099
1976	5.7L 350 V8		205055	205026	Z40026	-----	Z40004	Z40099
	7.4L 455 V8		205055	205026	Z40026	-----	Z40004	Z40099

Year	Engine		Notes	Muscle Car Radiator M / T      A / T		Hurricane Engine Driven Fan Shroud	SINGLE Fan Assembly Up to 390HP	DUAL Fan Assembly Up to 390HP	MAX Fan Assembly Over 390HP
<b>BUICK</b>									
<b>RIVIERA (CONT.)</b>									
1975	5.7L	350	V8	205055	205026	Z40026	-----	Z40004	Z40099
	7.4L	455	V8	205055	205026	Z40026	-----	Z40004	Z40099
1974	7.4L	455	V8	205055	205026	Z40026	-----	Z40004	Z40099
1973	7.4L	455	V8	205055	205026	Z40026	-----	Z40004	Z40099
1972	7.4L	455	V8	205055	205026	Z40026	-----	Z40004	Z40099
1971	7.4L	455	V8	205055	205026	Z40026	-----	Z40004	Z40099
1970	7.4L	455	V8	205055	205026	Z40026	-----	Z40004	Z40099
1969	5.7L	350	V8	205055	205026	Z40026	-----	Z40004	Z40099
	7.0L	430	V8	205055	205026	Z40026	-----	Z40004	Z40099
1968	5.7L	350	V8	205055	205026	Z40026	-----	Z40004	Z40099
	7.0L	430	V8	205055	205026	Z40026	-----	Z40004	Z40099
1967	5.7L	350	V8	205055	205026	Z40026	-----	Z40004	Z40099
	7.0L	430	V8	205055	205026	Z40026	-----	Z40004	Z40099
<b>SKYLARK/SPECIAL/65/SPORT WAGON</b>									
1979	3.8L	231	V6	205056	205027	-----	-----	Z40006	Z40082
	5.0L	305	V8	205056	205027	-----	-----	Z40006	Z40082
	5.0L	305	V8	205057	205028	Z40034	-----	-----	Z40084
	5.7L	350	V8	205056	205027	-----	-----	Z40006	Z40082
1978	3.8L	231	V6	205056	205027	-----	-----	Z40006	Z40082
	5.0L	305	V8	205056	205027	-----	-----	Z40006	Z40082
	5.0L	305	V8	205057	205028	Z40034	-----	-----	Z40084
	5.7L	350	V8	205056	205027	-----	-----	Z40006	Z40082
1977	3.8L	231	V6	205056	205027	-----	-----	Z40006	Z40082
	5.0L	305	V8	205056	205027	-----	-----	Z40006	Z40082
	5.0L	305	V8	205057	205028	Z40034	-----	-----	Z40084
	5.7L	350	V8	205056	205027	-----	-----	Z40006	Z40082
1976	3.8L	231	V6	205056	205027	-----	-----	Z40006	Z40082
	4.3L	260	V8	205056	205027	-----	-----	Z40006	Z40082
	5.7L	350	V8	205056	205027	-----	-----	Z40006	Z40082
1975	3.8L	231	V6	205056	205027	-----	-----	Z40006	Z40082
	4.3L	260	V8	205056	205027	-----	-----	Z40006	Z40082
	5.7L	350	V8	205056	205027	-----	-----	Z40006	Z40082
1973			V8	205055	205026	Z40026	-----	Z40004	Z40099
1972			V8	205055	205026	Z40026	-----	Z40004	Z40099
1971			V8	205055	205026	Z40026	-----	Z40004	Z40099
1970			V8	205055	205026	Z40026	-----	Z40004	Z40099
1969			V8	205055	205026	Z40026	-----	Z40004	Z40099
1968			V8	205055	205026	Z40026	-----	Z40004	Z40099
1967		300	V8	205057	205028	Z40034	-----	-----	Z40084
1966		300	V8	205057	205028	Z40034	-----	-----	Z40084
		401	V8	205057	205028	Z40034	-----	-----	Z40084
1965		300	V8	205057	205028	Z40034	-----	-----	Z40084
		401	V8	205057	205028	Z40034	-----	-----	Z40084
1964		300	V8	205057	205028	Z40034	-----	-----	Z40084
<b>WILDCAT</b>									
1970	5.7L	350	V8	205055	205026	Z40026	-----	Z40004	Z40099
	7.5L	455	V8	205055	205026	Z40026	-----	Z40004	Z40099
1969	5.7L	350	V8	205055	205026	Z40026	-----	Z40004	Z40099
	7.0L	430	V8	205055	205026	Z40026	-----	Z40004	Z40099
1968	5.7L	350	V8	205055	205026	Z40026	-----	Z40004	Z40099
	7.0L	430	V8	205055	205026	Z40026	-----	Z40004	Z40099
1967	5.7L	350	V8	205055	205026	Z40026	-----	Z40004	Z40099
	7.0L	430	V8	205055	205026	Z40026	-----	Z40004	Z40099
1966	5.5L	340	V8	205055	205026	Z40026	-----	Z40004	Z40099
	6.5L	400	V8	205055	205026	Z40026	-----	Z40004	Z40099
1965	6.5L	400	V8	205057	205028	Z40034	-----	-----	Z40084

Year	Engine		Notes	Muscle Car Radiator M / T	A / T	Hurricane Engine Driven Fan Shroud	SINGLE Fan Assembly Up to 390HP	DUAL Fan Assembly Up to 390HP	MAX Fan Assembly Over 390HP
<b>CADILLAC</b>									
<b>SEVILLE</b>									
1979	5.7L	350 V8		205056	205027	-----	-----	Z40006	Z40082
1978	5.7L	350 V8		205056	205027	-----	-----	Z40006	Z40082
1977	5.7L	350 V8		205056	205027	-----	-----	Z40006	Z40082
1976	5.7L	350 V8		205056	205027	-----	-----	Z40006	Z40082
<b>CHEVROLET</b>									
<b>BEL-AIR</b>									
1974	5.7L	350 V8		205055	205026	Z40026	-----	Z40004	Z40099
	6.5L	396 V8		205055	205026	Z40026	-----	Z40004	Z40099
	7.4L	454 V8		205055	205026	Z40026	-----	Z40004	Z40099
1973	4.1L	250 L6		205057	205028	Z40034	-----	-----	Z40084
	5.7L	350 V8		205055	205026	Z40026	-----	Z40004	Z40099
	6.5L	396 V8		205055	205026	Z40026	-----	Z40004	Z40099
1972	7.4L	454 V8		205055	205026	Z40026	-----	Z40004	Z40099
	4.1L	250 L6		205057	205028	Z40034	-----	-----	Z40084
	5.7L	350 V8		205055	205026	Z40026	-----	Z40004	Z40099
1971	6.5L	396 V8		205055	205026	Z40026	-----	Z40004	Z40099
	7.4L	454 V8		205055	205026	Z40026	-----	Z40004	Z40099
	4.1L	250 L6		205057	205028	Z40034	-----	-----	Z40084
	5.7L	350 V8		205055	205026	Z40026	-----	Z40004	Z40099
1970	6.5L	396 V8		205055	205026	Z40026	-----	Z40004	Z40099
	7.4L	454 V8		205055	205026	Z40026	-----	Z40004	Z40099
	4.1L	250 L6		205070	205070	Z40022	-----	Z40007	Z40093
	5.7L	350 V8		205070	205070	Z40031	-----	Z40007	Z40093
1969	6.5L	396 V8		205070	205070	Z40031	-----	Z40007	Z40093
	7.4L	454 V8		205070	205070	Z40031	-----	Z40007	Z40093
	4.1L	250 L6		205070	205070	Z40031	-----	Z40007	Z40093
	5.3L	327 V8		205070	205070	Z40031	-----	Z40007	Z40093
	5.7L	350 V8		205070	205070	Z40031	-----	Z40007	Z40093
1968	6.5L	396 V8		205070	205070	Z40031	-----	Z40007	Z40093
	7.0L	427 V8		205070	205070	Z40031	-----	Z40007	Z40093
	4.1L	250 L6	CROSSFLOW	205070	205070	Z40031	-----	Z40007	Z40093
	4.1L	250 L6	DOWNFLOW, BOTH CONNECTIONS ON RIGHT	205200	205200	Z40033	-----	Z40106	-----
	4.1L	L6		205195	205195	-----	-----	Z40105	-----
	5.0L	307 V8		205070	205070	Z40031	-----	Z40007	Z40093
	5.0L			205195	205195	-----	-----	Z40105	-----
	5.3L	327 V8		205070	205070	Z40031	-----	Z40007	Z40093
1967	5.3L			205195	205195	-----	-----	Z40105	-----
	6.5L	396 V8		205070	205070	Z40031	-----	Z40007	Z40093
	4.1L	250 L6	CROSSFLOW	205070	205070	Z40031	-----	Z40007	Z40093
	4.1L	250 L6	DOWNFLOW, BOTH CONNECTIONS ON RIGHT	205200	205200	Z40033	-----	Z40106	-----
	4.1L	L6		205195	205195	-----	-----	Z40105	-----
	4.6L	283 V8		205070	205070	Z40031	-----	Z40007	Z40093
	4.6L			205195	205195	-----	-----	Z40105	-----
	5.3L	327 V8		205070	205070	Z40031	-----	Z40007	Z40093
1966	5.3L			205195	205195	-----	-----	Z40105	-----
	6.5L	396 V8		205070	205070	Z40031	-----	Z40007	Z40093
	4.1L	250 L6	CROSSFLOW	205070	205070	Z40031	-----	Z40007	Z40093
	4.1L	250 L6	DOWNFLOW, BOTH CONNECTIONS ON RIGHT	205200	205200	Z40033	-----	Z40106	-----
	4.1L	L6		205195	205195	-----	-----	Z40105	-----
	4.6L	283 V8		205070	205070	Z40031	-----	Z40007	Z40093
	5.3L	327 V8		205070	205070	Z40031	-----	Z40007	Z40093
	5.3L			205195	205195	-----	-----	Z40105	-----
1965	6.5L	396 V8		205070	205070	Z40031	-----	Z40007	Z40093
	3.8L	235 L6	CROSSFLOW	205070	205070	Z40031	-----	Z40007	Z40093
	3.8L	235 L6	DOWNFLOW, BOTH CONNECTIONS ON RIGHT	205200	205200	Z40033	-----	Z40106	-----
	3.8L	L6		205195	205195	-----	-----	Z40105	-----

Year	Engine			Notes	Muscle Car M / T	Radiator A / T	Hurricane Engine Driven Fan Shroud	SINGLE Fan Assembly Up to 390HP	DUAL Fan Assembly Up to 390HP	MAX Fan Assembly Over 390HP
<b>CHEVROLET</b>										
<b>BEL-AIR (CONT.)</b>										
1965	5.3L	327	V8		205070	205070	Z40031	-----	Z40007	Z40093
	6.5L	396	V8		205070	205070	Z40031	-----	Z40007	Z40093
1964	3.8L	235	L6	CROSSFLOW	205070	205070	Z40031	-----	Z40007	Z40093
	3.8L	235	L6	DOWNFLOW, BOTH CONNECTIONS ON RIGHT	205200	205200	Z40033	-----	Z40106	-----
	3.8L		L6		205195	205195	-----	-----	Z40105	-----
	4.6L	283	V8		205070	205070	Z40031	-----	Z40007	Z40093
	5.3L	327	V8		205070	205070	Z40031	-----	Z40007	Z40093
	6.8L	409	V8		205070	205070	Z40031	-----	Z40007	Z40093
1963	3.8L	235	L6	CROSSFLOW	205070	205070	Z40031	-----	Z40007	Z40093
	3.8L	235	L6	DOWNFLOW, BOTH CONNECTIONS ON RIGHT	205200	205200	Z40033	-----	Z40106	-----
	3.8L		L6		205195	205195	-----	-----	Z40105	-----
	4.6L	283	V8		205070	205070	Z40031	-----	Z40007	Z40093
	6.8L	409	V8		205070	205070	Z40031	-----	Z40007	Z40093
1962	3.8L	235	L6		205070	205070	Z40031	-----	Z40007	Z40093
	4.6L	283	V8		205070	205070	Z40031	-----	Z40007	Z40093
	6.8L	409	V8		205070	205070	Z40031	-----	Z40007	Z40093
1961	3.8L	235	L6		205070	205070	Z40031	-----	Z40007	Z40093
	4.6L	283	V8		205070	205070	Z40031	-----	Z40007	Z40093
	6.8L	409	V8		205070	205070	Z40031	-----	Z40007	Z40093
1960	3.8L	235	L6		205070	205070	Z40031	-----	Z40007	Z40093
	4.6L	283	V8		205070	205070	Z40031	-----	Z40007	Z40093
		348	V8		205070	205070	Z40031	-----	Z40007	Z40093
	6.8L	409	V8		205070	205070	Z40031	-----	Z40007	Z40093
1959	3.8L	235	L6		205070	205070	Z40031	-----	Z40007	Z40093
	4.6L	283	V8		205070	205070	Z40031	-----	Z40007	Z40093
		348	V8		205070	205070	Z40031	-----	Z40007	Z40093
	6.8L	409	V8		205070	205070	Z40031	-----	Z40007	Z40093
1958	4.6L	283	V8		205203	205203	Z40021	-----	-----	-----
		348	V8		205203	205203	Z40021	-----	-----	-----
	6.8L	409	V8		205203	205203	Z40021	-----	-----	-----
1957			L6		205122	205122	Z40036	Z40097	-----	-----
			V8		205122	205122	Z40036	Z40097	-----	-----
			V8	CROSSFLOW CONVERSION	205142	205142	-----	-----	Z40100	Z40101
			V8	LS CONVERSION	205183	205183	-----	-----	Z40100	Z40101
1956			L6		205122	205122	Z40036	Z40097	-----	-----
			V8		205122	205122	Z40036	Z40097	-----	-----
			V8	CROSSFLOW CONVERSION	205142	205142	-----	-----	Z40100	Z40101
			V8	LS CONVERSION	205183	205183	-----	-----	Z40100	Z40101
1955			L6		205122	205122	Z40036	Z40097	-----	-----
			V8		205122	205122	Z40036	Z40097	-----	-----
			V8	CROSSFLOW CONVERSION	205142	205142	-----	-----	Z40100	Z40101
			V8	LS CONVERSION	205183	205183	-----	-----	Z40100	Z40101
1954			All	205202	205202	-----	-----	-----	-----	
1953			All	205202	205202	-----	-----	-----	-----	
1952			All	205202	205202	-----	-----	-----	-----	
1951			All	205202	205202	-----	-----	-----	-----	
1950			All	205202	205202	-----	-----	-----	-----	
1949			All	205202	205202	-----	-----	-----	-----	
<b>BISCAYNE</b>										
1972	4.1L	250	L6		205057	205028	Z40034	-----	-----	Z40084
	5.7L	350	V8		205055	205026	Z40026	-----	Z40004	Z40099
	6.5L	396	V8		205055	205026	Z40026	-----	Z40004	Z40099
	6.6L	402	V8		205055	205026	Z40026	-----	Z40004	Z40099
	7.4L	454	V8		205055	205026	Z40026	-----	Z40004	Z40099
1971	4.1L	250	L6		205057	205028	Z40034	-----	-----	Z40084
	5.7L	350	V8		205055	205026	Z40026	-----	Z40004	Z40099
	6.5L	396	V8		205055	205026	Z40026	-----	Z40004	Z40099
	6.6L	402	V8		205055	205026	Z40026	-----	Z40004	Z40099

Year	Engine	Notes	Muscle Car Radiator M / T	A / T	Hurricane Engine Driven Fan Shroud	SINGLE Fan Assembly Up to 390HP	DUAL Fan Assembly Up to 390HP	MAX Fan Assembly Over 390HP
<b>CHEVROLET</b>								
<b>BISCAYNE (CONT.)</b>								
1971	7.4L 454 V8		205055	205026	Z40026	-----	Z40004	Z40099
1970	4.1L 250 L6		205070	205070	Z40031	-----	Z40007	Z40093
	5.7L 350 V8		205070	205070	Z40031	-----	Z40007	Z40093
	6.5L 396 V8		205070	205070	Z40031	-----	Z40007	Z40093
	7.4L 454 V8		205070	205070	Z40031	-----	Z40007	Z40093
1969	4.1L 250 L6		205070	205070	Z40031	-----	Z40007	Z40093
	5.3L 327 V8		205070	205070	Z40031	-----	Z40007	Z40093
	5.7L 350 V8		205070	205070	Z40031	-----	Z40007	Z40093
	6.5L 396 V8		205070	205070	Z40031	-----	Z40007	Z40093
1968	4.1L 250 L6		205070	205070	Z40031	-----	Z40007	Z40093
	5.0L 307 V8		205070	205070	Z40031	-----	Z40007	Z40093
	5.3L 327 V8		205070	205070	Z40031	-----	Z40007	Z40093
	6.5L 396 V8		205070	205070	Z40031	-----	Z40007	Z40093
1967	4.1L 250 L6		205070	205070	Z40031	-----	Z40007	Z40093
	4.6L 283 V8		205070	205070	Z40031	-----	Z40007	Z40093
	5.3L 327 V8		205070	205070	Z40031	-----	Z40007	Z40093
	6.5L 396 V8		205070	205070	Z40031	-----	Z40007	Z40093
1966	4.1L 250 L6		205070	205070	Z40031	-----	Z40007	Z40093
	4.6L 283 V8		205070	205070	Z40031	-----	Z40007	Z40093
	5.3L 327 V8		205070	205070	Z40031	-----	Z40007	Z40093
	6.5L 396 V8		205070	205070	Z40031	-----	Z40007	Z40093
1965	3.8L 235 L6		205070	205070	Z40031	-----	Z40007	Z40093
	4.6L 283 V8		205070	205070	Z40031	-----	Z40007	Z40093
	6.5L 396 V8		205070	205070	Z40031	-----	Z40007	Z40093
1964	3.8L 235 L6		205070	205070	Z40031	-----	Z40007	Z40093
	4.6L 283 V8		205070	205070	Z40031	-----	Z40007	Z40093
1963	3.8L 235 L6		205070	205070	Z40031	-----	Z40007	Z40093
	4.6L 283 V8		205070	205070	Z40031	-----	Z40007	Z40093
1962	3.8L 235 L6		205070	205070	Z40031	-----	Z40007	Z40093
	4.6L 283 V8		205070	205070	Z40031	-----	Z40007	Z40093
1961	3.8L 235 L6		205070	205070	Z40031	-----	Z40007	Z40093
	4.6L 283 V8		205070	205070	Z40031	-----	Z40007	Z40093
1960	3.8L 235 L6		205070	205070	Z40031	-----	Z40007	Z40093
	4.6L 283 V8		205070	205070	Z40031	-----	Z40007	Z40093

### CABELLERO (SEE EL CAMINO/CABELLERO)

**TECH TIP:** For the best performance from your Northern Muscle Car Radiator, we highly recommend using an air baffle to direct airflow through the radiator. GM PN14107379 for 1982-92 Camaro w/a V8 Engine can be found at your local dealer!

### CAMARO/Z-28

2011	6.2L		205233	205233	-----	-----	Z40130, Z40131	-----
2010	6.2L		205233	205233	-----	-----	Z40130, Z40131	-----
2002	5.7L		205232	205232	-----	-----	Z40130, Z40131	-----
2001	5.7L		205232	205232	-----	-----	Z40130, Z40131	-----
2000	5.7L		205232	205232	-----	-----	Z40130, Z40131	-----
1999	5.7L		205232	205232	-----	-----	Z40130, Z40131	-----
1998	5.7L		205232	205232	-----	-----	Z40130, Z40131	-----
1997	5.7L		205232	205232	-----	-----	Z40130, Z40131	-----
1996	5.7L		205232	205232	-----	-----	Z40130, Z40131	-----
1995	5.7L		205232	205232	-----	-----	Z40130, Z40131	-----
1994	5.7L		205232	205232	-----	-----	Z40130, Z40131	-----
1993	5.7L		205232	205232	-----	-----	Z40130, Z40131	-----
1992	3.1L 207 V6		205062	205062	-----	-----	Z40006	Z40082
	5.0L 305 V8		205062	205062	-----	-----	Z40006	Z40082
	5.7L 350 V8		205062	205062	-----	-----	Z40006	Z40082
1991	3.1L 207 V6		205062	205062	-----	-----	Z40006	Z40082
	5.0L 305 V8		205062	205062	-----	-----	Z40006	Z40082
	5.7L 350 V8		205062	205062	-----	-----	Z40006	Z40082
1990	3.1L 207 V6		205062	205062	-----	-----	Z40006	Z40082
	5.0L 305 V8		205062	205062	-----	-----	Z40006	Z40082
	5.7L 350 V8		205062	205062	-----	-----	Z40006	Z40082
1989	5.0L 305 V8		205062	205062	-----	-----	Z40006	Z40082

Year	Engine		Notes	Muscle Car Radiator M / T	A / T	Hurricane Engine Driven Fan Shroud	SINGLE Fan Assembly Up to 390HP	DUAL Fan Assembly Up to 390HP	MAX Fan Assembly Over 390HP
<b>CHEVROLET</b>									
<b>CAMARO/Z-28 (CONT.)</b>									
1989		350 V8		205062	205062	-----	-----	Z40006	Z40082
1988	5.0L	305 V8		205062	205062	-----	-----	Z40006	Z40082
		350 V8		205062	205062	-----	-----	Z40006	Z40082
1987	5.0L	305 V8		205062	205062	-----	-----	Z40006	Z40082
		350 V8		205062	205062	-----	-----	Z40006	Z40082
1986	5.0L	305 V8		205062	205062	-----	-----	Z40006	Z40082
		350 V8		205062	205062	-----	-----	Z40006	Z40082
1985	5.0L	305 V8		205062	205062	-----	-----	Z40006	Z40082
1984	2.5L	150		205062	205062	-----	-----	Z40006	Z40082
	5.0L	305 V8		205062	205062	-----	-----	Z40006	Z40082
1983	2.5L	150		205062	205062	-----	-----	Z40006	Z40082
	5.0L	305 V8		205062	205062	-----	-----	Z40006	Z40082
1982	2.5L	150		205062	205062	-----	-----	Z40006	Z40082
	5.0L	305 V8		205062	205062	-----	-----	Z40006	Z40082
1981	3.8L	231 V6		205057	205028	-----	-----	-----	Z40084
	4.4L	267 V8		205056	205027	-----	-----	Z40006	Z40082
	5.0L	305 V8		205056	205027	-----	-----	Z40006	Z40082
	5.7L	350 V8		205056	205027	-----	-----	Z40006	Z40082
LS ENGINE CONVERSION				205216	205216	-----	-----	Z40006	Z40082
1980	3.8L	231 V6		205057	205028	Z40034	-----	-----	Z40084
	4.4L	267 V8		205056	205027	-----	-----	Z40006	Z40082
	5.0L	305 V8		205056	205027	-----	-----	Z40006	Z40082
	5.7L	350 V8		205056	205027	-----	-----	Z40006	Z40082
LS ENGINE CONVERSION				205216	205216	-----	-----	Z40006	Z40082
1979	4.1L	250 L6	CHECK OEM DIMENSIONS	205056	205027	-----	-----	Z40006	Z40082
	4.1L	250 L6	CHECK OEM DIMENSIONS	205057	205028	Z40034	-----	-----	Z40084
	5.0L	305 V8	CHECK OEM DIMENSIONS	205056	205027	-----	-----	Z40006	Z40082
	5.0L	305 V8	CHECK OEM DIMENSIONS	205057	205028	Z40034	-----	-----	Z40084
	5.7L	350 V8	CHECK OEM DIMENSIONS	205057	205028	Z40034	-----	-----	Z40084
	LS ENGINE CONVERSION				205216	205216	-----	-----	Z40006
1978	4.1L	250 L6	CHECK OEM DIMENSIONS	205056	205027	-----	-----	Z40006	Z40082
	4.1L	250 L6	CHECK OEM DIMENSIONS	205057	205028	Z40034	-----	-----	Z40084
	5.0L	305 V8	CHECK OEM DIMENSIONS	205057	205028	Z40034	-----	-----	Z40084
	5.0L	305 V8	CHECK OEM DIMENSIONS	205056	205027	Z40023	-----	Z40006	Z40082
	5.7L	350 V8	CHECK OEM DIMENSIONS	205056	205027	-----	-----	Z40006	Z40082
	5.7L	350 V8	CHECK OEM DIMENSIONS	205057	205028	Z40034	-----	-----	Z40084
LS ENGINE CONVERSION				205216	205216	-----	-----	Z40006	Z40082
1977	4.1L	250 L6	CHECK OEM DIMENSIONS	205056	205027	-----	-----	Z40006	Z40082
	4.1L	250 L6	CHECK OEM DIMENSIONS	205057	205028	Z40034	-----	-----	Z40084
	5.0L	305 V8	CHECK OEM DIMENSIONS	205056	205027	-----	-----	Z40006	Z40082
	5.0L	305 V8	CHECK OEM DIMENSIONS	205057	205028	Z40034	-----	-----	Z40084
	5.7L	350 V8	CHECK OEM DIMENSIONS	205056	205027	-----	-----	Z40006	Z40082
	5.7L	350 V8	CHECK OEM DIMENSIONS	205057	205028	Z40034	-----	-----	Z40084
LS ENGINE CONVERSION				205216	205216	-----	-----	Z40006	Z40082
1976	4.1L	250 L6	CHECK OEM DIMENSIONS	205056	205027	-----	-----	Z40006	Z40082
	4.1L	250 L6	CHECK OEM DIMENSIONS	205057	205028	Z40034	-----	-----	Z40084
	5.0L	305 V8	CHECK OEM DIMENSIONS	205056	205027	-----	-----	Z40006	Z40082
	5.0L	305 V8	CHECK OEM DIMENSIONS	205057	205028	Z40034	-----	-----	Z40084
	5.7L	350 V8	CHECK OEM DIMENSIONS	205056	205027	-----	-----	Z40006	Z40082
	5.7L	350 V8	CHECK OEM DIMENSIONS	205057	205028	Z40034	-----	-----	Z40084
LS ENGINE CONVERSION				205216	205216	-----	-----	Z40006	Z40082
1975	4.1L	250 L6	CHECK OEM DIMENSIONS	205056	205027	-----	-----	Z40006	Z40082
	4.1L	250 L6	CHECK OEM DIMENSIONS	205057	205028	Z40034	-----	-----	Z40084
	5.7L	350 V8	CHECK OEM DIMENSIONS	205056	205027	-----	-----	Z40006	Z40082
	5.7L	350 V8	CHECK OEM DIMENSIONS	205057	205028	Z40034	-----	-----	Z40084
LS ENGINE CONVERSION				205216	205216	-----	-----	Z40006	Z40082
1974	4.1L	250 L6		205057	205028	Z40034	-----	-----	Z40084
	5.7L	350 V8	CHECK OEM DIMENSIONS	205056	205027	-----	-----	Z40006	Z40082
	5.7L	350 V8	CHECK OEM DIMENSIONS	205057	205028	Z40034	-----	-----	Z40084

Year	Engine		Notes	Muscle Car Radiator M / T	Muscle Car Radiator A / T	Hurricane Engine Driven Fan Shroud	SINGLE Fan Assembly Up to 390HP	DUAL Fan Assembly Up to 390HP	MAX Fan Assembly Over 390HP
<b>CHEVROLET</b>									
<b>CAMARO/Z-28 (CONT.)</b>									
1974			LS ENGINE CONVERSION	205216	205216	-----	-----	Z40006	Z40082
1973	4.1L	250 L6		205057	205028	Z40034	-----	-----	Z40084
	5.0L	307 V8	CHECK OEM DIMENSIONS	205057	205028	Z40034	-----	-----	Z40084
	5.0L	307 V8	CHECK OEM DIMENSIONS	205056	205027	-----	-----	Z40006	Z40082
	5.7L	350 V8	CHECK OEM DIMENSIONS	205056	205027	-----	-----	Z40006	Z4008
	5.7L	350 V8	CHECK OEM DIMENSIONS	205057	205028	Z40034	-----	Z40088	Z40084
			LS ENGINE CONVERSION	205216	205216	-----	-----	Z40006	Z40082
1972	4.1L	250 L6		205057	205028	Z40034	-----	Z40088	Z40084
	5.0L	307 V8	CHECK OEM DIMENSIONS	205057	205028	Z40034	-----	Z40088	Z40084
	5.0L	307 V8	CHECK OEM DIMENSIONS	205056	205027	-----	-----	Z40006	Z40082
	5.7L	350 V8	CHECK OEM DIMENSIONS	205056	205027	-----	-----	Z40006	Z40082
	5.7L	350 V8	CHECK OEM DIMENSIONS	205057	205028	Z40034	-----	Z40088	Z40084
	6.5L	396 V8	BIG BLOCK	205056	205027	-----	-----	Z40006	Z40082
			LS ENGINE CONVERSION	205216	205216	-----	-----	Z40006	Z40082
1971	4.1L	250 L6		205056	205027	-----	-----	Z40006	Z40082
	5.0L	307 V8		205056	205027	-----	-----	Z40006	Z40082
	5.7L	350 V8		205056	205027	-----	-----	Z40006	Z40082
	6.6L	402 V8		205056	205027	-----	-----	Z40006	Z40082
	6.5L	396 V8	BIG BLOCK	205056	205027	-----	-----	Z40006	Z40082
			LS ENGINE CONVERSION	205216	205216	-----	-----	Z40006	Z40082
1970	4.1L	250 L6		205056	205027	-----	-----	Z40006	Z40082
	5.0L	307 V8		205056	205027	-----	-----	Z40006	Z40082
	5.7L	350 V8		205056	205027	-----	-----	Z40006	Z40082
	6.5L	396 V8	BIG BLOCK	205056	205027	-----	-----	Z40006	Z40082
			LS ENGINE CONVERSION	205216	205216	-----	-----	Z40006	Z40082
1969	4.1L	250 L6		205125	205072	Z40030	-----	Z40013	Z40086
	5.0L	307 V8		205125	205072	Z40030	-----	Z40013	Z40086
	5.3L	327 V8		205125	205072	Z40030	-----	Z40013	Z40086
	6.5L	396 V8	W/ BIG BLOCK	205184	205133	-----	-----	Z40015	Z40087
			W/LS ENGINE CONVERSION	205140	205141	Z40030	-----	Z40013	Z40086
			DOUBLE PASS; W/LS ENGINE CONVERSION	205182	205182	Z40030	-----	Z40013	Z40086
1968	4.1L	250 L6		205125	205072	Z40030	-----	Z40013	Z40086
	5.3L	327 V8		205125	205072	Z40030	-----	Z40013	Z40086
	5.7L	350 V8		205125	205072	Z40030	-----	Z40013	Z40086
	6.5L	396 V8	W/BIG BLOCK	205184	205133	-----	-----	Z40015	Z40087
			W/LS ENGINE CONVERSION	205140	205141	Z40030	-----	Z40013	Z40086
			DOUBLE PASS; W/LS ENGINE CONVERSION	205182	205182	Z40030	-----	Z40013	Z40086
1967	4.1L	250 L6		205125	205072	Z40030	-----	Z40013	Z40086
	5.3L	327 V8		205125	205072	Z40030	-----	Z40013	Z40086
	5.7L	350 V8		205125	205072	Z40030	-----	Z40013	Z40086
	6.5L	396 V8	W/BIG BLOCK	205184	205133	-----	-----	Z40015	Z40087
			W/ LS ENGINE CONVERSION	205140	205141	Z40030	-----	Z40013	Z40086
			DOUBLE PASS; W/LS ENGINE CONVERSION	205182	205182	Z40030	-----	Z40013	Z40086
<b>CAPRICE (SEE IMPALA/CAPRICE)</b>									
<b>CHEVELLE/MALIBU</b>									
1983	3.8L	231 V6		205057	205028	Z40034	-----	-----	Z40084
	3.8L	229 V6		205057	205028	Z40034	-----	-----	Z40084
	5.0L	305 V8		205056	205027	-----	-----	Z40006	Z40082
1982	3.8L	229 V6		205057	205028	Z40034	-----	-----	Z40084
	3.8L	231 V6		205057	205028	Z40034	-----	-----	Z40084
	4.4L	267 V8		205056	205027	-----	-----	Z40006	Z40082
	5.0L	305 V8		205056	205027	-----	-----	Z40006	Z40082
1981	3.8L	231 V6		205057	205028	Z40034	-----	-----	Z40084
	3.8L	229 V6	CHECK OEM DIMENSIONS	205057	205028	Z40034	-----	-----	Z40084
	4.4L	267 V8		205056	205027	-----	-----	Z40006	Z40082
	5.0L	305 V8		205056	205027	-----	-----	Z40006	Z40082

Year	Engine		Notes	Muscle Car M / T	Radiator A / T	Hurricane Engine Driven Fan Shroud	SINGLE Fan Assembly Up to 390HP	DUAL Fan Assembly Up to 390HP	MAX Fan Assembly Over 390HP	
<b>CHEVROLET</b>										
<b>CHEVELLE/MALIBU (CONT.)</b>										
1980	3.8L	231	V6		205057	205028	Z40034	---	---	Z40084
	3.8L	229	V6		205057	205028	Z40034	---	---	Z40084
	4.4L	267	V8		205056	205027	-----	---	Z40006	Z40082
	5.0L	305	V8		205056	205027	-----	---	Z40006	Z40082
	5.7L	350	V8		205056	205027	-----	---	Z40006	Z40082
1979	3.3L	200	V6		205056	205027	-----	---	Z40006	Z40082
	3.8L	231	V6	CHECK OEM DIMENSIONS	205056	205027	-----	---	Z40006	Z40082
	4.4L	267	V8		205056	205027	-----	---	Z40006	Z40082
	5.0L	305	V8		205056	205027	-----	---	Z40006	Z40082
	5.7L	350	V8		205056	205027	-----	---	Z40006	Z40082
1978	3.3L	200	V6		205056	205027	-----	---	Z40006	Z40082
	3.8L	231	V6		205056	205027	-----	---	Z40006	Z40082
	5.0L	305	V8		205056	205027	-----	---	Z40006	Z40082
	5.7L	350	V8		205056	205027	-----	---	Z40006	Z40082
1977	4.1L	250	L6	CHECK OEM DIMENSIONS	205055	205026	Z40026	---	Z40004	Z40099
	4.1L	250	L6	CHECK OEM DIMENSIONS	205057	205028	Z40034	---	-----	Z40084
	5.0L	305	V8		205055	205026	Z40026	---	Z40004	Z40099
	5.7L	350	V8		205055	205026	Z40026	---	Z40004	Z40099
				LS ENGINE CONVERSION	205215	205215	Z40026	---	Z40004	Z40099
1976	4.1L	250	L6	CHECK OEM DIMENSIONS	205055	205026	Z40026	---	Z40004	Z40099
	4.1L	250	L6	CHECK OEM DIMENSIONS	205057	205028	Z40034	---	-----	Z40084
	5.0L	305	V8		205055	205026	Z40026	---	Z40004	Z40099
	5.7L	350	V8		205055	205026	Z40026	---	Z40004	Z40099
	6.5L	396	V8		205055	205026	Z40026	---	Z40004	Z4009
			LS ENGINE CONVERSION	205215	205215	Z40026	---	Z40004	Z40099	
1975	4.1L	250	L6	CHECK OEM DIMENSIONS	205055	205026	Z40026	---	Z40004	Z40099
	4.1L	250	L6	CHECK OEM DIMENSIONS	205057	205028	Z40034	---	-----	Z40084
	5.7L	350	V8		205055	205026	Z40026	---	Z40004	Z40099
	6.5L	396	V8		205055	205026	Z40026	---	Z40004	Z40099
	7.4L	454	V8		205055	205026	Z40026	---	Z40004	Z40099
			LS ENGINE CONVERSION	205215	205215	Z40026	---	Z40004	Z40099	
1974	4.1L	250	L6	CHECK OEM DIMENSIONS	205055	205026	Z40026	---	Z40004	Z40099
	4.1L	250	L6	CHECK OEM DIMENSIONS	205057	205028	Z40034	---	-----	Z40084
	5.7L	350	V8		205055	205026	Z40026	---	Z40004	Z40099
	6.5L	396	V8		205055	205026	Z40026	---	Z40004	Z40099
	7.4L	454	V8		205055	205026	Z40026	---	Z40004	Z40099
			LS ENGINE CONVERSION	205215	205215	Z40026	---	Z40004	Z40099	
1973	4.1L	250	L6		205057	205028	Z40034	---	-----	Z40084
	5.0L	307	V8	CHECK OEM DIMENSIONS	205057	205028	Z40034	---	-----	Z40084
	5.0L	307	V8	CHECK OEM DIMENSIONS	205055	205026	Z40026	---	Z40004	Z40099
	5.7L	350	V8		205055	205026	Z40026	---	Z40004	Z40099
	7.4L	454	V8		205055	205026	Z40026	---	Z40004	Z40099
			LS ENGINE CONVERSION	205215	205215	Z40026	---	Z40004	Z40099	
1972	4.1L	250	L6		205057	205028	Z40034	---	-----	Z40084
	5.0L	307	V8	CHECK OEM DIMENSIONS	205057	205028	Z40034	---	-----	Z40084
	5.0L	307	V8	CHECK OEM DIMENSIONS	205055	205026	Z40026	---	Z40004	Z40099
	5.7L	350	V8		205055	205026	Z40026	---	Z40004	Z40099
	6.6L	402	V8		205055	205026	Z40026	---	Z40004	Z40099
	7.4L	454	V8		205055	205026	Z40026	---	Z40004	Z40099
			LS ENGINE CONVERSION	205215	205215	Z40026	---	Z40004	Z40099	
1971	4.1L	250	L6		205057	205028	Z40034	---	-----	Z40084
	5.0L	307	V8		205055	205026	Z40026	---	Z40004	Z40099
	5.7L	350	V8		205055	205026	Z40026	---	Z40004	Z40099
	6.6L	402	V8		205055	205026	Z40026	---	Z40004	Z40099
	7.4L	454	V8		205055	205026	Z40026	---	Z40004	Z40099
			LS ENGINE CONVERSION	205215	205215	Z40026	---	Z40004	Z40099	
1970	4.1L	250	L6		205057	205028	Z40034	---	-----	Z40084

Year	Engine	Notes	Muscle Car Radiator M / T	A / T	Hurricane Engine Driven Fan Shroud	SINGLE Fan Assembly Up to 390HP	DUAL Fan Assembly Up to 390HP	MAX Fan Assembly Over 390HP
<b>CHEVROLET</b>								
<b>CHEVELLE/MALIBU (CONT.)</b>								
1970	5.0L 307	V8	205055	205026	Z40026	-----	Z40004	Z40099
	5.7L 350	V8	205055	205026	Z40026	-----	Z40004	Z40099
	6.5L 396	V8	205055	205026	Z40026	-----	Z40004	Z40099
	7.4L 454	V8	205055	205026	Z40026	-----	Z40004	Z40099
		LS ENGINE CONVERSION	205215	205215	Z40026	-----	Z40004	Z40099
1969	5.0L 307	V8	205055	205026	Z40026	-----	Z40004	Z40099
	5.7L 350	V8	205055	205026	Z40026	-----	Z40004	Z40099
	6.5L 396	V8	205055	205026	Z40026	-----	Z40004	Z40099
			LS ENGINE CONVERSION	205215	205215	Z40026	-----	Z40004
1968	4.1L 250	L6	205057	205028	Z40034	-----	-----	Z40084
	5.0L 307	V8	205055	205026	Z40026	-----	Z40004	Z40099
	5.3L 327	V8	205055	205026	Z40026	-----	Z40004	Z40099
			LS ENGINE CONVERSION	205215	205215	Z40026	-----	Z40004
1967	4.6L 283	V8	205070	205070	Z40031	-----	Z40007	Z40093
	6.5L 396	V8	205070	205070	Z40031	-----	Z40007	Z40093
		V8	205195	205195	-----	-----	Z40105	-----
		V8	205200	205200	Z40033	-----	Z40105	-----
1966	4.6L 283	V8	205070	205070	Z40031	-----	Z40007	Z40093
	6.5L 396	V8	205070	205070	Z40031	-----	Z40007	Z40093
		V8	205195	205195	-----	-----	Z40105	-----
		V8	205200	205200	Z40033	-----	Z40105	-----
1965		V8	205195	205195	-----	-----	Z40105	-----
		V8	205200	205200	Z40033	-----	Z40105	-----
1964		V8	205195	205195	-----	-----	Z40105	-----
		V8	205200	205200	Z40033	-----	Z40105	-----
<b>CORVETTE</b>								
1996	5.7L 350	V8	205210	-----	Z42035	-----	-----	-----
1995	5.7L 350	V8	205210	-----	Z42035	-----	-----	-----
1994	5.7L 350	V8	205210	-----	Z42035	-----	-----	-----
1993	5.7L 350	V8	205210	-----	Z42035	-----	-----	-----
1992	5.7L 350	V8	205210	-----	Z42035	-----	-----	-----
1991	5.7L 350	V8	205210	-----	Z42035	-----	-----	-----
1990	5.7L 350	V8	205209	205209	-----	-----	-----	-----
	5.7L 350	V8	205210	-----	-----	-----	-----	-----
1989	5.7L 350	V8	205209	205209	-----	-----	-----	-----
	5.7L 350	V8	205210	-----	-----	-----	-----	-----
1988	5.7L 350	V8	205209	205209	-----	-----	-----	-----
1987	5.7L 350	V8	205209	205209	-----	-----	-----	-----
1986	5.7L 350	V8	205209	205209	-----	-----	-----	-----
1985	5.7L 350	V8	205209	205209	-----	-----	-----	-----
1984	5.7L 350	V8	205209	205209	-----	-----	-----	-----
1982	5.7L 350	V8	205066	205066	Z40023	-----	Z40016	-----
1981	5.7L 350	V8	205066	205066	Z40023	-----	Z40016	-----
1980	5.7L 350	V8	205066	205066	Z40023	-----	Z40016	-----
1979	5.7L 350	V8	205066	205066	Z40023	-----	Z40016	-----
1978	5.7L 350	V8	205066	205066	Z40023	-----	Z40016	-----
1977	5.7L 350	V8	205066	205066	Z40023	-----	Z40016	-----
1976	5.7L 350	V8	205208	205208	-----	-----	-----	-----
1975	5.7L 350	V8	205208	205208	-----	-----	-----	-----
1974	5.7L 350	V8	205208	205208	-----	-----	-----	-----
	7.4L 454	V8	205208	205208	-----	-----	-----	-----
1973	5.7L 350	V8	205208	205208	-----	-----	-----	-----
	7.4L 454	V8	205208	205208	-----	-----	-----	-----
1972		BB	205206	205206	-----	-----	-----	-----
		BB	205207	205207	-----	-----	-----	-----
	5.7L 350	V8	205201	-----	-----	-----	-----	-----

Year	Engine		Notes	Muscle Car Radiator M / T	A / T	Hurricane Engine Driven Fan Shroud	SINGLE Fan Assembly Up to 390HP	DUAL Fan Assembly Up to 390HP	MAX Fan Assembly Over 390HP
<b>CHEVROLET</b>									
<b>CORVETTE (CONT.)</b>									
1971	5.7L	350	V8	205201	-----	-----	-----	-----	-----
			BB	205206	205206	-----	-----	-----	
			BB	205207	205207	-----	-----	-----	
1970	5.7L	350	V8	205201	-----	-----	-----	-----	-----
			BB	205206	205206	-----	-----	-----	
			BB	205207	205207	-----	-----	-----	
1969	5.7L	350	V8	205201	-----	-----	-----	-----	-----
			BB	205206	205206	-----	-----	-----	
			BB	205207	205207	-----	-----	-----	
1968	5.3L	327	V8	205201	-----	-----	-----	-----	-----
			V8	205201	-----	-----	-----	-----	-----
1967	5.3L	327	V8	205201	-----	-----	-----	-----	-----
			All	205201	-----	-----	-----	-----	
1966	5.3L	327	V8	205201	-----	-----	-----	-----	-----
			BB	205205	-----	-----	-----	-----	
1964			All	205201	-----	-----	-----	-----	
1963			All	205201	-----	-----	-----	-----	
1960			All	205204	205204	-----	-----	-----	
1959			All	205204	205204	-----	-----	-----	
1958			All	205204	205204	-----	-----	-----	
1957			All	205204	205204	-----	-----	-----	
1956			All	205204	205204	-----	-----	-----	
1955			All	205204	205204	-----	-----	-----	
<b>EL CAMINO/CABELLERO</b>									
1987	4.3L	262	V6	205057	205028	Z40034	-----	-----	Z40084
			V8	205056	205027	-----	-----	Z40006	Z40082
1986	3.8L	231	V6	205057	205028	Z40034	-----	-----	Z40084
			V6	205057	205028	Z40034	-----	-----	Z40084
	4.3L	262	V6	205057	205028	Z40034	-----	-----	Z40084
			V8	205056	205027	-----	-----	Z40006	Z40082
1985	3.8L	231	V6	205057	205028	Z40034	-----	-----	Z40084
			V6	205057	205028	Z40034	-----	-----	Z40084
			V8	205056	205027	-----	-----	Z40006	Z40082
1984	3.8L	231	V6	205057	205028	Z40034	-----	-----	Z40084
			V6	205057	205028	Z40034	-----	-----	Z40084
			V8	205056	205027	-----	-----	Z40006	Z40082
			V8	205056	205027	-----	-----	Z40006	Z40082
1983	3.8L	231	V6	205057	205028	Z40034	-----	-----	Z40084
			V6	205057	205028	Z40034	-----	-----	Z40084
			V6	205056	205027	-----	-----	Z40006	Z40082
			V8	205056	205027	-----	-----	Z40006	Z40082
			V8	205056	205027	-----	-----	Z40006	Z40082
1982	3.8L	231	V6	205057	205028	Z40034	-----	-----	Z40084
			V6	205057	205028	Z40034	-----	-----	Z40084
			V8	205056	205027	-----	-----	Z40006	Z40082
			V8	205056	205027	-----	-----	Z40006	Z40082
			V8	205056	205027	-----	-----	Z40006	Z40082
1981	3.8L	231	V6	205057	205028	Z40034	-----	-----	Z40084
			V6	205057	205028	Z40034	-----	-----	Z40084
			V8	205056	205027	-----	-----	Z40006	Z40082
			V8	205056	205027	-----	-----	Z40006	Z40082
1980	3.8L	231	V6	205057	205028	Z40034	-----	-----	Z40084
			V6	205057	205028	Z40034	-----	-----	Z40084
			V8	205056	205027	-----	-----	Z40006	Z40082
			V8	205056	205027	-----	-----	Z40006	Z40082
			V8	205056	205027	-----	-----	Z40006	Z40082
1979	3.3L	204	V6	205056	205027	-----	-----	Z40006	Z40082
			V6	205057	205028	Z40034	-----	-----	Z40084
			V8	205056	205027	-----	-----	Z40006	Z40082

Year	Engine	Notes	Muscle Car Radiator M / T	A / T	Hurricane Engine Driven Fan Shroud	SINGLE Fan Assembly Up to 390HP	DUAL Fan Assembly Up to 390HP	MAX Fan Assembly Over 390HP
<b>CHEVROLET</b>								
<b>EL CAMINO/CABELLERO (CONT.)</b>								
1979	5.0L 305 V8		205056	205027	-----	-----	Z40006	Z40082
	5.7L 350 V8		205056	205027	-----	-----	Z40006	Z40082
1978	3.3L 204 V6		205056	205027	-----	-----	Z40006	Z40082
	3.8L 231 V6		205056	205027	-----	-----	Z40006	Z40082
	5.0L 305 V8		205056	205027	-----	-----	Z40006	Z40082
	5.7L 350 V8		205056	205027	-----	-----	Z40006	Z40082
1977	4.1L 250 L6	CHECK OEM DIMENSIONS	205055	205026	Z40026	-----	Z40004	Z40099
	4.1L 250 L6	CHECK OEM DIMENSIONS	205057	205028	Z40034	-----	-----	Z40084
	5.0L 305 V8		205056	205027	-----	-----	Z40006	Z40082
	5.7L 350 V8		205056	205027	-----	-----	Z40006	Z40082
1976	4.1L 250 L6	CHECK OEM DIMENSIONS	205055	205026	Z40026	-----	Z40004	Z40099
	4.1L 250 L6	CHECK OEM DIMENSIONS	205057	205028	Z40034	-----	-----	Z40084
	5.0L 305 V8		205056	205027	-----	-----	Z40006	Z40082
	5.7L 350 V8		205056	205027	-----	-----	Z40006	Z40082
	6.5L 400 V8		205056	205027	-----	-----	Z40006	Z40082
1975	4.1L 250 L6	CHECK OEM DIMENSIONS	205055	205026	Z40026	-----	Z40004	Z40099
	4.1L 250 L6	CHECK OEM DIMENSIONS	205057	205028	Z40034	-----	-----	Z40084
	5.7L 350 V8		205056	205027	-----	-----	Z40006	Z40082
	6.5L 400 V8		205056	205027	-----	-----	Z40006	Z40082
	7.4L 454 V8		205056	205027	-----	-----	Z40006	Z40082
1974	4.1L 250 L6	CHECK OEM DIMENSIONS	205055	205026	Z40026	-----	Z40004	Z40099
	4.1L 250 L6	CHECK OEM DIMENSIONS	205057	205028	Z40034	-----	-----	Z40084
	5.7L 350 V8		205055	205026	Z40026	-----	Z40004	Z40099
	6.5L 396 V8		205055	205026	Z40026	-----	Z40004	Z40099
	7.4L 454 V8		205055	205026	Z40026	-----	Z40004	Z40099
1973	4.1L 250 L6		205057	205028	Z40034	-----	-----	Z40084
	5.0L 307 V8	CHECK OEM DIMENSIONS	205057	205028	Z40034	-----	-----	Z40084
	5.0L 307 V8	CHECK OEM DIMENSIONS	205055	205026	Z40026	-----	Z40004	Z40099
	5.7L 350 V8		205055	205026	Z40026	-----	Z40004	Z40099
	7.4L 454 V8		205055	205026	Z40026	-----	Z40004	Z40099
1972	4.1L 250 L6		205057	205028	Z40034	-----	-----	Z40084
	5.0L 307 V8	CHECK OEM DIMENSIONS	205057	205028	Z40034	-----	-----	Z40084
	5.0L 307 V8	CHECK OEM DIMENSIONS	205055	205026	Z40026	-----	Z40004	Z40099
	5.7L 350 V8		205055	205026	Z40026	-----	Z40004	Z40099
	6.6L 402 V8		205055	205026	Z40026	-----	Z40004	Z40099
	7.4L 454 V8		205055	205026	Z40026	-----	Z40004	Z40099
	7.4L 454 V8		205055	205026	Z40026	-----	Z40004	Z40099
1971	4.1L 250 L6		205057	205028	Z40034	-----	-----	Z40084
	5.0L 307 V8		205055	205026	Z40026	-----	Z40004	Z40099
	5.7L 350 V8		205055	205026	Z40026	-----	Z40004	Z40099
	6.6L 402 V8		205055	205026	Z40026	-----	Z40004	Z40099
	7.4L 454 V8		205055	205026	Z40026	-----	Z40004	Z40099
1970	4.1L 250 L6		205057	205028	Z40034	-----	-----	Z40084
	5.0L 307 V8		205055	205026	Z40026	-----	Z40004	Z40099
	5.7L 350 V8		205055	205026	Z40026	-----	Z40004	Z40099
	6.5L 396 V8		205055	205026	Z40026	-----	Z40004	Z40099
	7.4L 454 V8		205055	205026	Z40026	-----	Z40004	Z40099
1969	5.0L 307 V8		205055	205026	Z40026	-----	Z40004	Z40099
	5.7L 350 V8		205055	205026	Z40026	-----	Z40004	Z40099
	6.5L 396 V8		205055	205026	Z40026	-----	Z40004	Z40099
1968	4.1L 250 L6		205057	205028	Z40034	-----	-----	Z40084
	5.0L 307 V8		205055	205026	Z40026	-----	Z40004	Z40099
	5.3L 327 V8		205055	205026	Z40026	-----	Z40004	Z40099
1967	4.6L 283 V8	BIG BLOCK	205070	205070	Z40031	-----	Z40007	Z40093
	6.5L 396 V8	BIG BLOCK	205070	205070	Z40031	-----	Z40007	Z40093
		V8 CONNECTIONS UPPER LEFT & LOWER RIGHT	205195	205195	-----	-----	Z40105	-----
1966		V8 BOTH CONNECTIONS ON RIGHT	205200	205200	Z40033	-----	Z40105	-----
	4.6L 283 V8	BIG BLOCK	205070	205070	Z40031	-----	Z40007	Z40093
	6.5L 396 V8	BIG BLOCK	205070	205070	Z40031	-----	Z40007	Z40093
	V8 CONNECTIONS UPPER LEFT & LOWER RIGHT	205195	205195	-----	-----	Z40105	-----	

Year	Engine			Notes	Muscle Car Radiator M / T	A / T	Hurricane Engine Driven Fan Shroud	SINGLE Fan Assembly Up to 390HP	DUAL Fan Assembly Up to 390HP	MAX Fan Assembly Over 390HP
<b>CHEVROLET</b>										
<b>EL CAMINO/CABELLERO (CONT.)</b>										
1966	V8			BOTH CONNECTIONS ON RIGHT	205200	205200	Z40033	-----	Z40105	-----
1965	V8			CONNECTIONS UPPER LEFT & LOWER RIGHT	205195	205195	-----	-----	Z40105	-----
	V8			BOTH CONNECTIONS ON RIGHT	205200	205200	Z40033	-----	Z40105	-----
1964	V8			CONNECTIONS UPPER LEFT & LOWER RIGHT	205195	205195	-----	-----	Z40105	-----
	V8			BOTH CONNECTIONS ON RIGHT	205200	205200	Z40033	-----	Z40105	-----
<b>IMPALA/CAPRICE</b>										
1990	4.3L	262	V6		205057	205028	Z40034	-----	-----	Z40084
	5.0L	307	V8	CHECK OEM DIMENSIONS	205055	205026	Z40026	-----	Z40004	Z40099
	5.0L	307	V8	CHECK OEM DIMENSIONS	205056	205027	-----	-----	Z40006	Z40082
	5.7L	350	V8		205056	205027	-----	-----	Z40006	Z40082
1989	4.3L	262	V6		205057	205028	Z40034	-----	-----	Z40084
	5.0L	307	V8	CHECK OEM DIMENSIONS	205055	205026	Z40026	-----	Z40004	Z40099
	5.0L	307	V8	CHECK OEM DIMENSIONS	205056	205027	-----	-----	Z40006	Z40082
	5.7L	350	V8		205056	205027	-----	-----	Z40006	Z40082
1988	5.0L	307	V8	CHECK OEM DIMENSIONS	205055	205026	Z40026	-----	Z40004	Z40099
	5.0L	307	V8	CHECK OEM DIMENSIONS	205056	205027	-----	-----	Z40006	Z40082
	5.7L	350	V8		205056	205027	-----	-----	Z40006	Z40082
1987	5.0L	307	V8	CHECK OEM DIMENSIONS	205055	205026	Z40026	-----	Z40004	Z40099
	5.0L	307	V8	CHECK OEM DIMENSIONS	205056	205027	-----	-----	Z40006	Z40082
	5.7L	350	V8		205056	205027	-----	-----	Z40006	Z40082
1986	4.3L	262	V6		205057	205028	Z40034	-----	-----	Z40084
	5.0L	307	V8	CHECK OEM DIMENSIONS	205056	205027	-----	-----	Z40006	Z40082
	5.0L	307	V8	CHECK OEM DIMENSIONS	205055	205026	Z40026	-----	Z40004	Z40099
	5.7L	350	V8		205056	205027	-----	-----	Z40006	Z40082
1985	3.8L	231	V6		205057	205028	Z40034	-----	-----	Z40084
	4.3L	260	V6		205057	205028	Z40034	-----	-----	Z40084
	5.0L	307	V8	CHECK OEM DIMENSIONS	205056	205027	-----	-----	Z40006	Z40082
	5.0L	307	V8	CHECK OEM DIMENSIONS	205055	205026	Z40026	-----	Z40004	Z40099
1984	3.8L	231	V6		205057	205028	Z40034	-----	-----	Z40084
	3.8L	229	V6		205057	205028	Z40034	-----	-----	Z40084
	5.0L	307	V8	CHECK OEM DIMENSIONS	205056	205027	-----	-----	Z40006	Z40082
	5.0L	307	V8	CHECK OEM DIMENSIONS	205055	205026	Z40026	-----	Z40004	Z40099
	5.7L	350	V8		205056	205027	-----	-----	Z40006	Z40082
1983	3.8L	231	V6		205057	205028	Z40034	-----	-----	Z40084
	5.0L	307	V8	CHECK OEM DIMENSIONS	205056	205027	-----	-----	Z40006	Z40082
	5.0L	307	V8	CHECK OEM DIMENSIONS	205055	205026	Z40026	-----	Z40004	Z40099
	5.7L	350	V8		205056	205027	-----	-----	Z40006	Z40082
1982	3.8L	231	V6		205057	205028	Z40034	-----	-----	Z40084
	4.4L	267	V8		205056	205027	-----	-----	Z40006	Z40082
	5.0L	307	V8	CHECK OEM DIMENSIONS	205056	205027	-----	-----	Z40006	Z40082
	5.0L	307	V8	CHECK OEM DIMENSIONS	205055	205026	Z40026	-----	Z40004	Z40099
	5.7L	350	V8		205056	205027	-----	-----	Z40006	Z40082
1981	3.8L	231	V6		205057	205028	Z40034	-----	-----	Z40084
	4.4L	267	V8		205056	205027	-----	-----	Z40006	Z40082
	5.0L	307	V8	CHECK OEM DIMENSIONS	205056	205027	-----	-----	Z40006	Z40082
	5.0L	307	V8	CHECK OEM DIMENSIONS	205055	205026	Z40026	-----	Z40004	Z40099
	5.7L	350	V8		205056	205027	-----	-----	Z40006	Z40082
1980	3.8L	231	V6		205057	205028	Z40034	-----	-----	Z40084
	4.4L	267	V8		205056	205027	-----	-----	Z40006	Z40082
	5.0L	307	V8		205056	205027	-----	-----	Z40006	Z40082
	5.7L	350	V8		205056	205027	-----	-----	Z40006	Z40082
1979	4.1L	250	L6		205055	205026	Z40026	-----	Z40004	Z40099
	5.0L	307	V8		205055	205026	Z40026	-----	Z40004	Z40099
	5.7L	350	V8		205055	205026	Z40026	-----	Z40004	Z40099
1978	4.1L	250	L6		205055	205026	Z40026	-----	Z40004	Z40099
	5.0L	307	V8		205055	205026	Z40026	-----	Z40004	Z40099
	5.7L	350	V8		205055	205026	Z40026	-----	Z40004	Z40099

Year	Engine	Notes	Muscle Car Radiator M / T	A / T	Hurricane Engine Driven Fan Shroud	SINGLE Fan Assembly Up to 390HP	DUAL Fan Assembly Up to 390HP	MAX Fan Assembly Over 390HP	
<b>CHEVROLET</b>									
<b>IMPALA/CAPRICE (CONT.)</b>									
1977	4.1L 250 L6		205055	205026	Z40026	-----	Z40004	Z40099	
	5.0L 307 V8		205055	205026	Z40026	-----	Z40004	Z40099	
	5.7L 350 V8		205055	205026	Z40026	-----	Z40004	Z40099	
1976	5.7L 350 V8		205055	205026	Z40026	-----	Z40004	Z40099	
	6.5L 396 V8		205055	205026	Z40026	-----	Z40004	Z40099	
	7.4L 454 V8		205055	205026	Z40026	-----	Z40004	Z4009	
1975	5.7L 350 V8		205055	205026	Z40026	-----	Z40004	Z40099	
	6.5L 396 V8		205055	205026	Z40026	-----	Z40004	Z40099	
	7.4L 454 V8		205055	205026	Z40026	-----	Z40004	Z40099	
1974	5.7L 350 V8		205055	205026	Z40026	-----	Z40004	Z40099	
	6.5L 396 V8		205055	205026	Z40026	-----	Z40004	Z40099	
	7.4L 454 V8		205055	205026	Z40026	-----	Z40004	Z40099	
1973	4.1L 250 L6		205057	205028	Z40034	-----	-----	Z40084	
	5.7L 350 V8		205055	205026	Z40026	-----	Z40004	Z40099	
	6.5L 396 V8		205055	205026	Z40026	-----	Z40004	Z40099	
	7.4L 454 V8		205055	205026	Z40026	-----	Z40004	Z40099	
1972	4.1L 250 L6		205057	205028	Z40034	-----	-----	Z40084	
	5.7L 350 V8		205055	205026	Z40026	-----	Z40004	Z40099	
	6.5L 396 V8		205055	205026	Z40026	-----	Z40004	Z40099	
	6.6L 402 V8		205055	205026	Z40026	-----	Z40004	Z40099	
	7.4L 454 V8		205055	205026	Z40026	-----	Z40004	Z40099	
1971	4.1L 250 L6		205057	205028	Z40034	-----	-----	Z40084	
	5.7L 350 V8		205055	205026	Z40026	-----	Z40004	Z40099	
	6.5L 396 V8		205055	205026	Z40026	-----	Z40004	Z40099	
	6.6L 402 V8		205055	205026	Z40026	-----	Z40004	Z40099	
	7.4L 454 V8		205055	205026	Z40026	-----	Z40004	Z40099	
1970	4.1L 250 L6		205070	205070	Z40031	-----	Z40007	Z40093	
	5.3L 327 V8		205217	205217	-----	-----	-----	-----	
	5.7L 350 V8		205070	205070	Z40031	-----	Z40007	Z40093	
	6.5L 396 V8		205070	205070	Z40031	-----	Z40007	Z40093	
	7.4L 454 V8		205070	205070	Z40031	-----	Z40007	Z40093	
1969	4.1L 250 L6		205070	205070	Z40031	-----	Z40007	Z40093	
	5.3L 327 V8		205070	205070	Z40031	-----	Z40007	Z40093	
	5.3L 327 V8		205217	205217	-----	-----	-----	-----	
	6.5L 396 V8		205070	205070	Z40031	-----	Z40007	Z40093	
1968	4.1L 250 L6		205070	205070	Z40031	-----	Z40007	Z40093	
	5.0L 307 V8		205070	205070	Z40031	-----	Z40007	Z40093	
	6.5L 396 V8		205070	205070	Z40031	-----	Z40007	Z40093	
	All	DOWNFLOW, BOTH CONNECTIONS ON RIGHT	205200	205200	Z40033	-----	Z40106	-----	
	All	INLET UPPER LEFT, OUTLET LOWER RIGHT	205195	205195	-----	-----	Z40106	-----	
1967	4.1L 250 L6		205070	205070	Z40031	-----	Z40007	Z40093	
	4.6L 283 V8		205070	205070	Z40031	-----	Z40007	Z40093	
	6.5L 396 V8		205070	205070	Z40031	-----	Z40007	Z40093	
		All	DOWNFLOW, BOTH CONNECTIONS ON RIGHT	205200	205200	Z40033	-----	Z40106	-----
		All	INLET UPPER LEFT, OUTLET LOWER RIGHT	205195	205195	-----	-----	Z40106	-----
1966	3.7L 230 L6		205070	205070	Z40031	-----	Z40007	Z40093	
	4.6L 283 V8		205070	205070	Z40031	-----	Z40007	Z40093	
	5.3L 327 V8		205070	205070	Z40031	-----	Z40007	Z40093	
	6.5L 396 V8		205070	205070	Z40031	-----	Z40007	Z40093	
		All	DOWNFLOW, BOTH CONNECTIONS ON RIGHT	205200	205200	Z40033	-----	Z40106	-----
	All	INLET UPPER LEFT, OUTLET LOWER RIGHT	205195	205195	-----	-----	Z40106	-----	
1965	All	DOWNFLOW, BOTH CONNECTIONS ON RIGHT	205200	205200	Z40033	-----	Z40106	-----	
	All	INLET UPPER LEFT, OUTLET LOWER RIGHT	205195	205195	-----	-----	Z40106	-----	
1964	All	DOWNFLOW, BOTH CONNECTIONS ON RIGHT	205200	205200	Z40033	-----	Z40106	-----	
	All	INLET UPPER LEFT, OUTLET LOWER RIGHT	205195	205195	-----	-----	Z40106	-----	
1963	All	DOWNFLOW, BOTH CONNECTIONS ON RIGHT	205200	205200	Z40033	-----	Z40106	-----	
	All	INLET UPPER LEFT, OUTLET LOWER RIGHT	205195	205195	-----	-----	Z40106	-----	
1958	L6		205203	205203	Z40024	-----	-----	-----	

Year	Engine		Notes	Muscle Car M / T	Radiator A / T	Hurricane Engine Driven Fan Shroud	SINGLE Fan Assembly Up to 390HP	DUAL Fan Assembly Up to 390HP	MAX Fan Assembly Over 390HP	
<b>CHEVROLET</b>										
<b>IMPALA/CAPRICE (CONT.)</b>										
1958	283	V8	2 TALLER THAN OE UNIT, WILL MOUNT IN PLACE	205203	205203	Z40024	-----	-----	-----	
	348	V8		205203	205203	Z40024	-----	-----	-----	
1957	V6			205122	205122	Z40036	Z40097	-----	-----	
	V8			205122	205122	Z40036	Z40097	-----	-----	
	V8		CROSSFLOW CONVERSION	205142	205142	Z40023	-----	Z40100	-----	
	V8		LS CONVERSION	205183	205183	Z40028	-----	Z40071	Z4009	
1956	V6			205122	205122	Z40036	Z40097	-----	-----	
	V8			205122	205122	Z40036	Z40097	-----	-----	
	V8		CROSSFLOW CONVERSION	205142	205142	Z40023	-----	Z40100	-----	
	V8		LS CONVERSION	205183	205183	Z40028	-----	Z40071	Z40092	
1955	V6			205122	205122	Z40036	Z40097	-----	-----	
	V8			205122	205122	Z40036	Z40097	-----	-----	
	V8		CROSSFLOW CONVERSION	205142	205142	Z40023	-----	Z40100	-----	
	V8		LS CONVERSION	205183	205183	Z40028	-----	Z40071	Z40092	
1954	All		205202	205202	-----	-----	-----	-----		
1953	All		205202	205202	-----	-----	-----	-----		
1952	All		205202	205202	-----	-----	-----	-----		
1951	All		205202	205202	-----	-----	-----	-----		
1950	All		205202	205202	-----	-----	-----	-----		
1949	All		205202	205202	-----	-----	-----	-----		
<b>LAGUNA</b>										
1976	4.1L	250	L6	CHECK OEM DIMENSIONS	205057	205028	Z40034	-----	-----	Z40084
	4.1L	250	L6	CHECK OEM DIMENSIONS	205055	205026	Z40026	-----	Z40004	Z40099
	5.0L	305	V8		205055	205026	Z40026	-----	Z40004	Z40099
	5.7L	350	V8		205055	205026	Z40026	-----	Z40004	Z40099
	6.5L	396	V8		205055	205026	Z40026	-----	Z40004	Z40099
1975	4.1L	250	L6	CHECK OEM DIMENSIONS	205055	205026	Z40026	-----	Z40004	Z40099
	4.1L	250	L6	CHECK OEM DIMENSIONS	205057	205028	Z40034	-----	-----	Z40084
	5.7L	350	V8		205055	205026	Z40026	-----	Z40004	Z40099
	6.5L	396	V8		205055	205026	Z40026	-----	Z40004	Z40099
	7.4L	454	V8		205055	205026	Z40026	-----	Z40004	Z40099
<b>MALIBU (SEE CHEVELLE/MALIBU)</b>										
<b>MONTE CARLO</b>										
1989	4.3L	262	V6		205057	205028	Z40034	-----	-----	Z40084
	5.0L	305	V8		205056	205027	-----	-----	Z40006	Z40082
1988	4.3L	262	V6		205057	205028	Z40034	-----	-----	Z40084
	5.0L	305	V8		205056	205027	-----	-----	Z40006	Z40082
1987	3.8L	231	V6		205057	205028	Z40034	-----	-----	Z40084
	4.3L	262	V6		205057	205028	Z40034	-----	-----	Z40084
	5.0L	305	V8		205056	205027	-----	-----	Z40006	Z40082
1986	3.8L	231	V6		205057	205028	Z40034	-----	-----	Z40084
	4.3L	260	V6		205057	205028	Z40034	-----	-----	Z40084
	5.0L	305	V8		205056	205027	-----	-----	Z40006	Z40082
1985	3.8L	231	V6		205057	205028	Z40034	-----	-----	Z40084
	4.3L	260	V6		205057	205028	Z40034	-----	-----	Z40084
	4.3L	231	V6		205057	205028	Z40034	-----	-----	Z40084
	5.0L	305	V8		205056	205027	-----	-----	Z40006	Z40082
1984	3.8L	231	V6		205057	205028	Z40034	-----	-----	Z40084
	3.8L	229	V6		205056	205027	-----	-----	Z40006	Z40082
	5.0L	305	V8		205056	205027	-----	-----	Z40006	Z40082
1983	3.8L	231	V6		205057	205028	Z40034	-----	-----	Z40084
	3.8L	229	V6		205057	205028	Z40034	-----	-----	Z40084
	5.0L	305	V8		205056	205027	-----	-----	Z40006	Z40082
1982	3.8L	229	V6		205057	205028	Z40034	-----	-----	Z40084

Year	Engine	Notes	Muscle Car Radiator M / T	Radiator A / T	Hurricane Engine Driven Fan Shroud	SINGLE Fan Assembly Up to 390HP	DUAL Fan Assembly Up to 390HP	MAX Fan Assembly Over 390HP
<b>CHEVROLET</b>								
<b>MONTE CARLO (CONT.)</b>								
1982	3.8L 231 V6		205057	205028	Z40034	-----	-----	Z40084
	4.4L 267 V8		205056	205027	-----	-----	Z40006	Z40082
	5.0L 305 V8		205056	205027	-----	-----	Z40006	Z40082
1981	3.8L 229 V8		205057	205028	Z40034	-----	-----	Z40084
	3.8L 231 V6		205057	205028	Z40034	-----	-----	Z40084
	4.3L 265 V8		205056	205027	-----	-----	Z40006	Z4008
	4.4L 267 V8		205056	205027	-----	-----	Z40006	Z40082
	5.0L 305 V8		205056	205027	-----	-----	Z40006	Z40082
1980	3.8L 231 V6		205057	205028	Z40034	-----	-----	Z40084
	3.8L 229 V6		205057	205028	Z40034	-----	-----	Z40084
	4.4L 267 V8		205056	205027	-----	-----	Z40006	Z40082
	5.0L 305 V8		205056	205027	-----	-----	Z40006	Z40082
	5.7L 350 V8		205056	205027	-----	-----	Z40006	Z40082
1979	3.3L 204 V6		205056	205027	-----	-----	Z40006	Z40082
	3.8L 231 V6		205056	205027	-----	-----	Z40006	Z40082
	3.8L 231 V6		205057	205028	Z40034	-----	-----	Z40084
	4.4L 267 V8		205056	205027	-----	-----	Z40006	Z40082
	5.0L 305 V8		205056	205027	-----	-----	Z40006	Z40082
	5.7L 350 V8		205056	205027	-----	-----	Z40006	Z40082
1978	3.3L 204 V6		205056	205027	-----	-----	Z40006	Z40082
	3.8L 231 V6		205056	205027	-----	-----	Z40006	Z40082
	5.0L 305 V8		205056	205027	-----	-----	Z40006	Z40082
	5.7L 350 V8		205056	205027	-----	-----	Z40006	Z40082
1977	4.1L 250 L6	CHECK OEM DIMENSIONS	205055	205026	Z40026	-----	Z40004	Z40099
	4.1L 250 L6	CHECK OEM DIMENSIONS	205057	205028	Z40034	-----	-----	Z40084
	5.0L 305 V8		205055	205026	Z40026	-----	Z40004	Z40099
	5.7L 350 V8		205055	205026	Z40026	-----	Z40004	Z40099
	4.1L 250 L6	CHECK OEM DIMENSIONS	205055	205026	Z40026	-----	Z40004	Z40099
	4.1L 250 L6	CHECK OEM DIMENSIONS	205057	205028	Z40034	-----	-----	Z40084
	5.0L 305 V8		205055	205026	Z40026	-----	Z40004	Z40099
1976	5.7L 350 V8		205055	205026	Z40026	-----	Z40004	Z40099
	6.5L 396 V8		205055	205026	Z40026	-----	Z40004	Z40099
1975	4.1L 250 L6	CHECK OEM DIMENSIONS	205055	205026	Z40026	-----	Z40004	Z40099
	4.1L 250 L6	CHECK OEM DIMENSIONS	205057	205028	Z40034	-----	-----	Z40084
	5.7L 350 V8		205055	205026	Z40026	-----	Z40004	Z40099
	6.5L 396 V8		205055	205026	Z40026	-----	Z40004	Z40099
	7.4L 454 V8		205055	205026	Z40026	-----	Z40004	Z40099
1974	5.7L 350 V8		205055	205026	Z40026	-----	Z40004	Z40099
	7.4L 454 V8		205055	205026	Z40026	-----	Z40004	Z40099
1973	4.1L 250 L6		205057	205028	Z40034	-----	-----	Z40084
	5.0L 307 V8	CHECK OEM DIMENSIONS	205057	205028	Z40034	-----	-----	Z40084
	5.0L 307 V8	CHECK OEM DIMENSIONS	205055	205026	Z40026	-----	Z40004	Z40099
	5.7L 350 V8		205055	205026	Z40026	-----	Z40004	Z40099
	7.4L 454 V8		205055	205026	Z40026	-----	Z40004	Z40099
1972	5.7L 350 V8	CHECK OEM DIMENSIONS	205055	205026	Z40026	-----	Z40004	Z40099
	5.7L 350 V8	CHECK OEM DIMENSIONS	205057	205028	Z40034	-----	-----	Z40084
	6.6L 402 V8		205055	205026	Z40026	-----	Z40004	Z40099
	7.4L 454 V8		205055	205026	Z40026	-----	Z40004	Z40099
1971	5.7L 350 V8		205055	205026	Z40026	-----	Z40004	Z40099
	6.6L 402 V8		205055	205026	Z40026	-----	Z40004	Z40099
	7.4L 454 V8		205055	205026	Z40026	-----	Z40004	Z40099
1970	5.7L 350 V8		205055	205026	Z40026	-----	Z40004	Z40099
	6.5L 396 V8		205055	205026	Z40026	-----	Z40004	Z40099
	7.4L 454 V8		205055	205026	Z40026	-----	Z40004	Z40099
<b>NOVA</b>								
1979	4.1L 250 L6	CHECK OEM DIMENSIONS	205056	205027	-----	-----	Z40006	Z40082
	4.1L 250 L6	CHECK OEM DIMENSIONS	205057	205028	Z40034	-----	-----	Z40084
	5.0L 305 V8	CHECK OEM DIMENSIONS	205057	205028	Z40034	-----	-----	Z40084

Year	Engine			Notes	Muscle Car Radiator M / T	A / T	Hurricane Engine Driven Fan Shroud	SINGLE Fan Assembly Up to 390HP	DUAL Fan Assembly Up to 390HP	MAX Fan Assembly Over 390HP	
<b>CHEVROLET</b>											
<b>NOVA (CONT.)</b>											
1979	5.0L	305	V8	CHECK OEM DIMENSIONS	205056	205027	-----	----	Z40006	Z40082	
	5.7L	350	V8		205056	205027	-----	----	Z40006	Z40082	
		396	V8		205184	205133	-----	----	Z40015	Z40087	
		427	V8		205184	205133	-----	----	Z40015	Z40087	
				LS ENGINE CONVERSION	205216	205216	Z40023	-----	Z40006	Z4008	
1978	4.1L	250	L6	CHECK OEM DIMENSIONS	205056	205027	Z40023	-----	Z40006	Z40082	
	4.1L	250	L6	CHECK OEM DIMENSIONS	205057	205028	Z40034	-----	----	Z40084	
	5.0L	305	V8	CHECK OEM DIMENSIONS	205057	205028	Z40034	-----	----	Z40084	
	5.0L	305	V8	CHECK OEM DIMENSIONS	205056	205027	-----	----	Z40006	Z40082	
	5.7L	350	V8		205056	205027	-----	----	Z40006	Z40082	
		396	V8		205184	205133	-----	----	Z40015	Z40087	
		427	V8		205184	205133	-----	----	Z40015	Z40087	
					LS ENGINE CONVERSION	205216	205216	Z40023	-----	Z40006	Z40082
1977	4.1L	250	L6	CHECK OEM DIMENSIONS	205056	205027	Z40023	-----	Z40006	Z40082	
	4.1L	250	L6	CHECK OEM DIMENSIONS	205057	205028	Z40034	-----	----	Z40084	
	5.0L	305	V8	CHECK OEM DIMENSIONS	205057	205028	Z40034	-----	----	Z40084	
	5.0L	305	V8	CHECK OEM DIMENSIONS	205056	205027	Z40023	-----	Z40006	Z40082	
	5.7L	350	V8	CHECK OEM DIMENSIONS	205056	205027	Z40023	-----	Z40006	Z40082	
	5.7L	350	V8	CHECK OEM DIMENSIONS	205057	205028	Z40034	-----	----	Z40084	
		396	V8		205184	205133	-----	----	Z40015	Z40087	
		427	V8		205184	205133	-----	----	Z40015	Z40087	
					LS ENGINE CONVERSION	205216	205216	-----	----	Z40006	Z40082
	1976	4.1L	250	L6	CHECK OEM DIMENSIONS	205056	205027	-----	----	Z40006	Z40082
4.1L		250	L6	CHECK OEM DIMENSIONS	205057	205028	Z40034	-----	----	Z40084	
4.3L		262	V8	CHECK OEM DIMENSIONS	205056	205027	-----	----	Z40006	Z40082	
4.3L		262	V8	CHECK OEM DIMENSIONS	205057	205028	Z40034	-----	----	Z40084	
5.0L		305	V8	CHECK OEM DIMENSIONS	205056	205027	-----	----	Z40006	Z40082	
5.0L		305	V8	CHECK OEM DIMENSIONS	205057	205028	Z40034	-----	----	Z40084	
5.7L		350	V8	CHECK OEM DIMENSIONS	205056	205027	-----	----	Z40006	Z40082	
5.7L		350	V8	CHECK OEM DIMENSIONS	205057	205028	Z40034	-----	----	Z40084	
		396	V8		205184	205133	-----	----	Z40015	Z40087	
		427	V8		205184	205133	-----	----	Z40015	Z40087	
					LS ENGINE CONVERSION	205216	205216	-----	----	Z40006	Z40082
1975		4.1L	250	L6	CHECK OEM DIMENSIONS	205056	205027	-----	----	Z40006	Z40082
	4.1L	250	L6	CHECK OEM DIMENSIONS	205057	205028	Z40034	-----	----	Z40084	
	4.3L	262	V8	CHECK OEM DIMENSIONS	205056	205027	-----	----	Z40006	Z40082	
	4.3L	262	V8	CHECK OEM DIMENSIONS	205057	205028	Z40034	-----	----	Z40084	
	5.7L	350	V8	CHECK OEM DIMENSIONS	205056	205027	-----	----	Z40006	Z40082	
	5.7L	350	V8	CHECK OEM DIMENSIONS	205057	205028	Z40034	-----	----	Z40084	
		396	V8		205184	205133	-----	----	Z40015	Z40087	
		427	V8		205184	205133	-----	----	Z40015	Z40087	
					LS ENGINE CONVERSION	205216	205216	-----	----	Z40006	Z40082
	1974	4.1L	250	L6	CHECK OEM DIMENSIONS	205057	205028	Z40034	-----	----	Z40084
5.7L		350	V8	CHECK OEM DIMENSIONS	205057	205028	Z40034	-----	----	Z40084	
		396	V8		205184	205133	-----	----	Z40015	Z40087	
	427	V8		205184	205133	-----	----	Z40015	Z40087		
1973	4.1L	250	L6	CHECK OEM DIMENSIONS	205057	205028	Z40034	-----	----	Z40084	
	5.0L	307	V8	CHECK OEM DIMENSIONS	205057	205028	Z40034	-----	----	Z40084	
	5.7L	350	V8	CHECK OEM DIMENSIONS	205057	205028	Z40034	-----	----	Z40084	
		396	V8		205184	205133	-----	----	Z40015	Z40087	
	427	V8		205184	205133	-----	----	Z40015	Z40087		
1972	4.1L	250	L6		205057	205028	Z40034	-----	----	Z40084	
	5.0L	307	V8		205057	205028	Z40034	-----	----	Z40084	
	5.7L	350	V8		205057	205028	Z40034	-----	----	Z40084	
		396	V8		205184	205133	-----	----	Z40015	Z40087	
	427	V8		205184	205133	-----	----	Z40015	Z40087		
1971	4.1L	250	L6		205057	205028	Z40034	-----	----	Z40084	
	5.0L	307	V8		205057	205028	Z40034	-----	----	Z40084	

Year	Engine	Notes	Muscle Car Radiator M / T	A / T	Hurricane Engine Driven Fan Shroud	SINGLE Fan Assembly Up to 390HP	DUAL Fan Assembly Up to 390HP	MAX Fan Assembly Over 390HP
<b>CHEVROLET</b>								
<b>NOVA (CONT.)</b>								
1971	5.7L	350 V8	205057	205028	Z40034	---	---	Z40084
		396 V8	205184	205133	---	---	Z40015	Z40087
		427 V8	205184	205133	---	---	Z40015	Z40087
1970	3.7L	230 L6	205057	205028	Z40034	---	---	Z40084
		4.1L 250 L6	205057	205028	Z40034	---	---	Z4008
	5.0L	307 V8	205057	205028	Z40034	---	---	Z40084
		350 V8	205057	205028	Z40034	---	---	Z40084
		396 V8	205184	205133	---	---	Z40015	Z40087
		427 V8	205184	205133	---	---	Z40015	Z40087
1969	3.7L	230 L6	205057	205028	Z40034	---	---	Z40084
		5.0L 307 V8	205057	205028	Z40034	---	---	Z40084
	396 V8	205184	205133	---	---	Z40015	Z40087	
427 V8		205184	205133	---	---	Z40015	Z40087	
1968	3.7L	230 L6	205057	205028	Z40034	---	---	Z40084
		5.0L 307 V8	205057	205028	Z40034	---	---	Z40084
	5.7L	350 V8	205057	205028	Z40034	---	---	Z40084
396 V8		205184	205133	---	---	Z40015	Z40087	
1967	V8		205184	205133	---	---	Z40015	Z40087
			205184	205133	---	---	Z40015	Z40087
1967	V8		205188	205188	---	---	Z40106	---
1966	V8		205188	205188	---	---	Z40106	---
1965	V8		205178	205178	---	---	Z40105	---
1964	V8		205178	205178	---	---	Z40105	---
1963	V8		205178	205178	---	---	Z40105	---
1962	V8		205178	205178	---	---	Z40105	---

## CHEVROLET/GMC LIGHT TRUCK

### BLAZER/JIMMY

1994	5.7L	350 V8	205069	205069	---	---	Z41036	---	
1993	5.7L	350 V8	205069	205069	---	---	Z41036	---	
1992	5.7L	350 V8	205069	205069	---	---	Z41036	---	
1991	5.7L	350 V8	CHECK OEM DIMENSIONS	205055	205026	Z40026	---	Z40004	Z40099
		350 V8	CHECK OEM DIMENSIONS	205065	205065	Z40026	---	Z40012	Z40085
1990	5.7L	350 V8	CHECK OEM DIMENSIONS	205055	205026	Z40026	---	Z40004	Z40099
		350 V8	CHECK OEM DIMENSIONS	205065	205065	Z40026	---	Z40012	Z40085
1989	5.7L	350 V8	CHECK OEM DIMENSIONS	205055	205026	Z40026	---	Z40004	Z40099
		350 V8	CHECK OEM DIMENSIONS	205065	205065	Z40026	---	Z40012	Z40085
1988	5.7L	350 V8	CHECK OEM DIMENSIONS	205055	205026	Z40026	---	Z40004	Z40099
		350 V8	CHECK OEM DIMENSIONS	205065	205065	Z40026	---	Z40012	Z40085
1987	5.0L	305 V8	CHECK OEM DIMENSIONS	205055	205026	Z40026	---	Z40004	Z40099
		305 V8	CHECK OEM DIMENSIONS	205065	205065	Z40026	---	Z40012	Z40085
	5.7L	350 V8	CHECK OEM DIMENSIONS	205055	205026	Z40026	---	Z40004	Z40099
		350 V8	CHECK OEM DIMENSIONS	205065	205065	Z40026	---	Z40012	Z40085
1986	5.0L	305 V8	CHECK OEM DIMENSIONS	205055	205026	Z40026	---	Z40004	Z40099
		305 V8	CHECK OEM DIMENSIONS	205065	205065	Z40026	---	Z40012	Z40085
	5.7L	350 V8	CHECK OEM DIMENSIONS	205055	205026	Z40026	---	Z40004	Z40099
		350 V8	CHECK OEM DIMENSIONS	205065	205065	Z40026	---	Z40012	Z40085
	7.4L	454 V8	CHECK OEM DIMENSIONS	205065	205065	Z40026	---	Z40012	Z40085
1985	5.0L	305 V8	CHECK OEM DIMENSIONS	205055	205026	Z40026	---	Z40004	Z40099
		305 V8	CHECK OEM DIMENSIONS	205065	205065	Z40026	---	Z40012	Z40085
	5.7L	350 V8	CHECK OEM DIMENSIONS	205055	205026	Z40026	---	Z40004	Z40099
		350 V8	CHECK OEM DIMENSIONS	205065	205065	Z40026	---	Z40012	Z40085
	7.4L	454 V8	CHECK OEM DIMENSIONS	205065	205065	Z40026	---	Z40012	Z40085
1984	5.0L	305 V8	CHECK OEM DIMENSIONS	205055	205026	Z40026	---	Z40004	Z40099
		305 V8	CHECK OEM DIMENSIONS	205065	205065	Z40026	---	Z40012	Z40085
	5.7L	350 V8	CHECK OEM DIMENSIONS	205055	205026	Z40026	---	Z40004	Z40099
		350 V8	CHECK OEM DIMENSIONS	205065	205065	Z40026	---	Z40012	Z40085
	7.4L	454 V8	CHECK OEM DIMENSIONS	205065	205065	Z40026	---	Z40012	Z40085



Year	Engine		Notes	Muscle Car Radiator M / T      A / T		Hurricane Engine Driven Fan Shroud	SINGLE Fan Assembly Up to 390HP	DUAL Fan Assembly Up to 390HP	MAX Fan Assembly Over 390HP
<b>CHEVROLET/GMC LIGHT TRUCK</b>									
<b>BLAZER/JIMMY (CONT.)</b>									
1975	4.1L	250 L6	CHECK OEM DIMENSIONS	205055	205026	Z40026	—	Z40004	Z40099
	4.1L	250 L6	CHECK OEM DIMENSIONS	205056	205027	—	—	Z40006	Z40082
	4.8L	292 L6	CHECK OEM DIMENSIONS	205055	205026	Z40026	—	Z40004	Z40099
	4.8L	292 L6	CHECK OEM DIMENSIONS	205056	205027	—	—	Z40006	Z40082
	5.7L	350 V8	CHECK OEM DIMENSIONS	205055	205026	Z40026	—	Z40004	Z40099
	6.5L	400 V8	CHECK OEM DIMENSIONS	205065	205065	Z40026	—	Z40012	Z40085
	7.4L	454 V8	CHECK OEM DIMENSIONS	205065	205065	Z40026	—	Z40012	Z40085
1974	4.1L	250 L6	CHECK OEM DIMENSIONS	205055	205026	Z40026	—	Z40004	Z40099
	4.1L	250 L6	CHECK OEM DIMENSIONS	205056	205027	—	—	Z40006	Z40082
	4.8L	292 L6	CHECK OEM DIMENSIONS	205055	205026	Z40026	—	Z40004	Z40099
	4.8L	292 L6	CHECK OEM DIMENSIONS	205056	205027	—	—	Z40006	Z40082
	5.7L	350 V8	CHECK OEM DIMENSIONS	205055	205026	Z40026	—	Z40004	Z40099
	6.5L	400 V8	CHECK OEM DIMENSIONS	205065	205065	Z40026	—	Z40012	Z40085
	7.4L	454 V8	CHECK OEM DIMENSIONS	205065	205065	Z40026	—	Z40012	Z40085
1973	4.1L	250 L6	CHECK OEM DIMENSIONS	205055	205026	Z40026	—	Z40004	Z40099
	4.1L	250 L6	CHECK OEM DIMENSIONS	205056	205027	—	—	Z40006	Z40082
	4.8L	292 L6	CHECK OEM DIMENSIONS	205055	205026	Z40026	—	Z40004	Z40099
	4.8L	292 L6	CHECK OEM DIMENSIONS	205056	205027	—	—	Z40006	—
	5.0L	307 V8	CHECK OEM DIMENSIONS	205055	205026	Z40026	—	Z40004	Z40099
	5.7L	350 V8	CHECK OEM DIMENSIONS	205055	205026	Z40026	—	Z40004	Z40099
	6.5L	400 V8	CHECK OEM DIMENSIONS	205065	205065	Z40026	—	Z40012	Z40085
7.4L	454 V8	CHECK OEM DIMENSIONS	205065	205065	Z40026	—	Z40012	Z40085	
1972	4.1L	250 L6	CHECK OEM DIMENSIONS	205179	205179	—	—	Z40104	—
	5.0L	307 V8	CHECK OEM DIMENSIONS	205179	205179	—	—	Z40104	—
	5.7L	350 V8	CHECK OEM DIMENSIONS	205179	205179	—	—	Z40104	—
1971	4.1L	250 L6	CHECK OEM DIMENSIONS	205179	205179	—	—	Z40104	—
	5.0L	307 V8	CHECK OEM DIMENSIONS	205179	205179	—	—	Z40104	—
	5.7L	350 V8	CHECK OEM DIMENSIONS	205179	205179	—	—	Z40104	—
1970	4.1L	250 L6	CHECK OEM DIMENSIONS	205179	205179	—	—	Z40104	—
	4.8L	292 L6	CHECK OEM DIMENSIONS	205179	205179	—	—	Z40104	—
	5.0L	307 V8	CHECK OEM DIMENSIONS	205179	205179	—	—	Z40104	—
	5.7L	350 V8	CHECK OEM DIMENSIONS	205179	205179	—	—	Z40104	—
1969	4.1L	250 L6	CHECK OEM DIMENSIONS	205179	205179	—	—	Z40104	—
	5.7L	350 V8	CHECK OEM DIMENSIONS	205179	205179	—	—	Z40104	—
1968	4.1L	250 L6	CHECK OEM DIMENSIONS	205179	205179	—	—	Z40104	—
	5.7L	350 V8	CHECK OEM DIMENSIONS	205179	205179	—	—	Z40104	—
1967	4.1L	250 L6	CHECK OEM DIMENSIONS	205179	205179	—	—	Z40104	—
	5.7L	350 V8	CHECK OEM DIMENSIONS	205179	205179	—	—	Z40104	—
1966	4.1L	250 L6	CHECK OEM DIMENSIONS	205179	205179	—	—	Z40104	—
	5.7L	350 V8	CHECK OEM DIMENSIONS	205179	205179	—	—	Z40104	—
<b>C/K SERIES PICKUP</b>									
2000	5.7L	350 V8	CHECK OEM DIMENSIONS	205069	205069	—	—	Z41036	—
1999	5.0L	305 V8	W/28 1/4" CORE, W/EOC	205061	205061	Z40026	—	Z40004	Z40099
	5.0L	305 V8	W/34" CORE	205069	205069	—	—	Z41036	—
	5.7L	350 V8	CHECK OEM DIMENSIONS	205069	205069	—	—	Z41036	—
1998	4.3L	262 V6	W/EOC	205061	205061	Z40026	—	Z40004	Z40099
	4.3L	262 V6	W/O EOC	205055	205026	Z40026	—	Z40004	Z40099
	5.0L	305 V8	W/EOC & 28 1/4" CORE	205061	205061	Z40026	—	Z40004	Z40099
	5.0L	305 V8	W/O EOC, W/ 28 1/4" CORE	205055	205026	Z40026	—	Z40004	Z40099
	5.0L	305 V8	W/EOC & W/34" CORE	205069	205069	—	—	Z41036	—
	5.7L	350 V8	W/EOC	205069	205069	—	—	Z41036	—
1997	4.3L	262 V6	W/EOC	205061	205061	Z40026	—	Z40004	Z40099
	4.3L	262 V6	W/O EOC	205055	205026	Z40026	—	Z40004	Z40099
	5.0L	305 V8	W/EOC & 28 1/4" CORE	205061	205061	Z40026	—	Z40004	Z40099
	5.0L	305 V8	W/O EOC, W/ 28 1/4" CORE	205055	205026	Z40026	—	Z40004	Z40099

Year	Engine			Notes	Muscle Car Radiator M / T	A / T	Hurricane Engine Driven Fan Shroud	SINGLE Fan Assembly Up to 390HP	DUAL Fan Assembly Up to 390HP	MAX Fan Assembly Over 390HP
<b>CHEVROLET/GMC LIGHT TRUCK</b>										
<b>C/K SERIES PICKUP (CONT.)</b>										
1997	5.0L	305	V8	W/EOC & W/34" CORE	205069	205069	—	—	Z41036	—
	5.7L	350	V8	W/EOC	205069	205069	—	—	Z41036	—
1996	4.3L	262	V6	W/EOC	205061	205061	Z40026	—	Z40004	Z40099
	4.3L	262	V6	W/O EOC	205055	205026	Z40026	—	Z40004	Z40099
	5.0L	305	V8	W/EOC & 28 1/4" CORE	205061	205061	Z40026	—	Z40004	Z40099
	5.0L	305	V8	W/O EOC, W/ 28 1/4" CORE	205055	205026	Z40026	—	Z40004	Z40099
	5.0L	305	V8	W/EOC & W/34" CORE	205069	205069	—	—	Z41036	—
	5.7L	350	V8	W/EOC	205069	205069	—	—	Z41036	—
	4.3L	262	V6	W/EOC	205061	205061	Z40026	—	Z40004	Z40099
1995	4.3L	262	V6	W/O EOC	205055	205026	Z40026	—	Z40004	Z40099
	5.0L	305	V8	W/EOC & 28 1/4" CORE	205061	205061	Z40026	—	Z40004	Z40099
	5.0L	305	V8	W/O EOC, W/ 28 1/4" CORE	205055	205026	Z40026	—	Z40004	Z40099
	5.0L	305	V8	W/EOC & W/34" CORE	205069	205069	—	—	Z41036	—
	5.7L	350	V8	W/EOC	205069	205069	—	—	Z41036	—
	4.3L	262	V6	W/EOC	205061	205061	Z40026	—	Z40004	Z40099
	4.3L	262	V6	W/O EOC	205055	205026	Z40026	—	Z40004	Z40099
1994	5.0L	305	V8	W/EOC & 28 1/4" CORE	205061	205061	Z40026	—	Z40004	Z40099
	5.0L	305	V8	W/O EOC, W/ 28 1/4" CORE	205055	205026	Z40026	—	Z40004	Z40099
	5.0L	305	V8	W/EOC & W/34" CORE	205069	205069	—	—	Z41036	—
	5.7L	350	V8	W/EOC & 28 1/4" CORE	205061	205061	Z40026	—	Z40004	Z40099
	5.7L	350	V8	W/O EOC, W/ 28 1/4" CORE	205055	205026	Z40026	—	Z40004	Z40099
	5.7L	350	V8	W/EOC & 34" CORE	205069	205069	—	—	Z41036	—
	5.0L	305	V8	CHECK OEM DIMENSIONS	205055	205026	Z40026	—	Z40004	Z40099
	5.0L	305	V8	CHECK OEM DIMENSIONS	205057	205028	Z40034	—	—	Z40084
1993	5.0L	305	V8	CHECK OEM DIMENSIONS	205061	205061	Z40026	—	Z40004	Z40099
	5.7L	350	V8	CHECK OEM DIMENSIONS	205055	205026	Z40026	—	Z40004	Z40099
	5.7L	350	V8	CHECK OEM DIMENSIONS	205061	205061	Z40026	—	Z40004	Z40099
	6.2L	379	V8	CHECK OEM DIMENSIONS	205069	205069	—	—	Z41036	—
	7.4L	454	V8	CHECK OEM DIMENSIONS	205069	205069	—	—	Z41036	—
	5.0L	305	V8	CHECK OEM DIMENSIONS	205055	205026	Z40026	—	Z40004	Z4009
	5.0L	305	V8	CHECK OEM DIMENSIONS	205057	205028	Z40034	—	—	Z40084
1992	5.0L	305	V8	CHECK OEM DIMENSIONS	205061	205061	Z40026	—	Z40004	Z40099
	5.7L	350	V8	CHECK OEM DIMENSIONS	205055	205026	Z40026	—	Z40004	Z40099
	5.7L	350	V8	CHECK OEM DIMENSIONS	205057	205028	Z40034	—	—	Z40084
	5.7L	350	V8	CHECK OEM DIMENSIONS	205061	205061	Z40026	—	Z40004	Z40099
	5.7L	350	V8	CHECK OEM DIMENSIONS	205069	205069	—	—	Z41036	—
	7.4L	454	V8	CHECK OEM DIMENSIONS	205069	205069	—	—	Z41036	—
	5.0L	305	V8	CHECK OEM DIMENSIONS	205055	205026	Z40026	—	Z40004	Z40099
	5.0L	305	V8	CHECK OEM DIMENSIONS	205057	205028	Z40034	—	—	Z40084
1991	5.0L	305	V8	CHECK OEM DIMENSIONS	205061	205061	Z40026	—	Z40004	Z40099
	5.7L	350	V8	CHECK OEM DIMENSIONS	205055	205026	Z40026	—	Z40004	Z40099
	5.7L	350	V8	CHECK OEM DIMENSIONS	205057	205028	Z40034	—	—	Z40084
	5.7L	350	V8	CHECK OEM DIMENSIONS	205061	205061	Z40026	—	Z40004	Z40099
	5.7L	350	V8	CHECK OEM DIMENSIONS	205069	205069	—	—	Z41036	—
	7.4L	454	V8	CHECK OEM DIMENSIONS	205069	205069	—	—	Z41036	—
	5.0L	305	V8	CHECK OEM DIMENSIONS	205055	205026	Z40026	—	Z40004	Z40099
	5.0L	305	V8	CHECK OEM DIMENSIONS	205061	205061	Z40026	—	Z40004	Z40099
1990	5.7L	350	V8	CHECK OEM DIMENSIONS	205055	205026	Z40026	—	Z40004	Z40099
	5.7L	350	V8	CHECK OEM DIMENSIONS	205061	205061	Z40026	—	Z40004	Z40099
	5.7L	350	V8	CHECK OEM DIMENSIONS	205069	205069	—	—	Z41036	—
	7.4L	454	V8	CHECK OEM DIMENSIONS	205069	205069	—	—	Z41036	—
	5.0L	305	V8	CHECK OEM DIMENSIONS	205055	205026	Z40026	—	Z40004	Z40099
	5.0L	305	V8	CHECK OEM DIMENSIONS	205061	205061	Z40026	—	Z40004	Z40099
1989	5.7L	350	V8	CHECK OEM DIMENSIONS	205055	205026	Z40026	—	Z40004	Z40099
	5.7L	350	V8	CHECK OEM DIMENSIONS	205061	205061	Z40026	—	Z40004	Z40099
	5.7L	350	V8	CHECK OEM DIMENSIONS	205055	205026	Z40026	—	Z40004	Z40099
	5.7L	350	V8	CHECK OEM DIMENSIONS	205061	205061	Z40026	—	Z40004	Z40099



Year	Engine			Notes	Muscle Car Radiator M / T	A / T	Hurricane Engine Driven Fan Shroud	SINGLE Fan Assembly Up to 390HP	DUAL Fan Assembly Up to 390HP	MAX Fan Assembly Over 390HP
<b>CHEVROLET/GMC LIGHT TRUCK</b>										
<b>C/K SERIES PICKUP (CONT.)</b>										
1981	4.1L	250	L6	CHECK OEM DIMENSIONS	205056	205027	-----	----	Z40006	Z40082
	4.8L	292	L6	CHECK OEM DIMENSIONS	205055	205026	Z40026	----	Z40004	Z40099
	4.8L	292	L6	CHECK OEM DIMENSIONS	205056	205027	-----	----	Z40006	Z40082
	5.0L	305	V8	CHECK OEM DIMENSIONS	205055	205026	Z40026	----	Z40004	Z4009
	5.0L	305	V8	CHECK OEM DIMENSIONS	205065	205065	Z40026	----	Z40012	Z40085
	5.7L	350	V8	CHECK OEM DIMENSIONS	205055	205026	Z40026	----	Z40004	Z40099
	5.7L	350	V8	CHECK OEM DIMENSIONS	205065	205065	Z40026	----	Z40012	Z40085
	7.4L	454	V8	CHECK OEM DIMENSIONS	205065	205065	Z40026	----	Z40012	Z40085
	1980	4.1L	250	L6	CHECK OEM DIMENSIONS	205056	205027	-----	----	Z40006
4.6L		283	V8	CHECK OEM DIMENSIONS	205055	205026	Z40026	----	Z40004	Z40099
4.8L		292	L6	CHECK OEM DIMENSIONS	205055	205026	Z40026	----	Z40004	Z40099
5.0L		305	V8	CHECK OEM DIMENSIONS	205055	205026	Z40026	----	Z40004	Z40099
5.0L		305	V8	CHECK OEM DIMENSIONS	205065	205065	Z40026	----	Z40012	Z40085
5.7L		350	V8	CHECK OEM DIMENSIONS	205055	205026	Z40026	----	Z40004	Z40099
5.7L		350	V8	CHECK OEM DIMENSIONS	205065	205065	Z40026	----	Z40012	Z40085
6.6L		400	V8	CHECK OEM DIMENSIONS	205065	205065	Z40026	----	Z40012	Z40085
7.4L		454	V8	CHECK OEM DIMENSIONS	205065	205065	Z40026	----	Z40012	Z40085
1979	4.1L	250	L6	CHECK OEM DIMENSIONS	205055	205026	Z40026	----	Z40004	Z40099
	4.1L	250	L6	CHECK OEM DIMENSIONS	205056	205027	-----	----	Z40006	Z40082
	4.8L	292	L6	CHECK OEM DIMENSIONS	205055	205026	Z40026	----	Z40004	Z40099
	5.0L	305	V8	CHECK OEM DIMENSIONS	205055	205026	Z40026	----	Z40004	Z40099
	5.0L	305	V8	CHECK OEM DIMENSIONS	205065	205065	Z40026	----	Z40012	Z40085
	5.7L	350	V8	CHECK OEM DIMENSIONS	205055	205026	Z40026	----	Z40004	Z40099
	5.7L	350	V8	CHECK OEM DIMENSIONS	205065	205065	Z40026	----	Z40012	Z40085
	6.6L	400	V8	CHECK OEM DIMENSIONS	205065	205065	Z40026	----	Z40012	Z40085
	7.4L	454	V8	CHECK OEM DIMENSIONS	205065	205065	Z40026	----	Z40012	Z40085
1978	4.1L	250	L6	CHECK OEM DIMENSIONS	205055	205026	Z40026	----	Z40004	Z40099
	4.1L	250	L6	CHECK OEM DIMENSIONS	205056	205027	-----	----	Z40006	Z40082
	4.8L	292	L6	CHECK OEM DIMENSIONS	205055	205026	Z40026	----	Z40004	Z40099
	4.8L	292	L6	CHECK OEM DIMENSIONS	205065	205065	Z40026	----	Z40012	Z40085
	5.0L	305	V8	CHECK OEM DIMENSIONS	205055	205026	Z40026	----	Z40004	Z40099
	5.0L	305	V8	CHECK OEM DIMENSIONS	205065	205065	Z40026	----	Z40012	Z40085
	5.7L	350	V8	CHECK OEM DIMENSIONS	205055	205026	Z40026	----	Z40004	Z40099
	5.7L	350	V8	CHECK OEM DIMENSIONS	205065	205065	Z40026	----	Z40012	Z40085
	6.6L	400	V8	CHECK OEM DIMENSIONS	205065	205065	Z40026	----	Z40012	Z40085
	7.4L	454	V8	CHECK OEM DIMENSIONS	205065	205065	Z40026	----	Z40012	Z40085
	1977	4.8L	292	L6	CHECK OEM DIMENSIONS	205055	205026	Z40026	----	Z40004
4.8L		292	L6	CHECK OEM DIMENSIONS	205056	205027	-----	----	Z40006	Z40082
5.0L		305	V8	CHECK OEM DIMENSIONS	205055	205026	Z40026	----	Z40004	Z40099
5.7L		350	V8	CHECK OEM DIMENSIONS	205055	205026	Z40026	----	Z40004	Z40099
5.7L		350	V8	CHECK OEM DIMENSIONS	205065	205065	Z40026	----	Z40012	Z40085
7.4L		454	V8	CHECK OEM DIMENSIONS	205065	205065	Z40026	----	Z40012	Z40085
1976	4.8L	292	L6	CHECK OEM DIMENSIONS	205055	205026	Z40026	----	Z40004	Z40099
	4.8L	292	L6	CHECK OEM DIMENSIONS	205056	205027	-----	----	Z40006	Z40082
	5.7L	350	V8	CHECK OEM DIMENSIONS	205055	205026	Z40026	----	Z40004	Z40099
	6.5L	400	V8	CHECK OEM DIMENSIONS	205065	205065	Z40026	----	Z40012	Z40085
	7.4L	454	V8	CHECK OEM DIMENSIONS	205065	205065	Z40026	----	Z40012	Z40085
1975	4.8L	292	L6	CHECK OEM DIMENSIONS	205055	205026	Z40026	----	Z40004	Z40099
	4.8L	292	L6	CHECK OEM DIMENSIONS	205056	205027	-----	----	Z40006	Z40082
	5.7L	350	V8	CHECK OEM DIMENSIONS	205055	205026	Z40026	----	Z40004	Z40099
1974	4.1L	250	L6	CHECK OEM DIMENSIONS	205055	205026	Z40026	----	Z40004	Z40099
	4.1L	250	L6	CHECK OEM DIMENSIONS	205056	205027	-----	----	Z40006	Z40082
	4.8L	292	L6	CHECK OEM DIMENSIONS	205055	205026	Z40026	----	Z40004	Z40099
	4.8L	292	L6	CHECK OEM DIMENSIONS	205056	205027	-----	----	Z40006	Z40082
	5.7L	350	V8	CHECK OEM DIMENSIONS	205055	205026	Z40026	----	Z40004	Z40099
6.5L	400	V8	CHECK OEM DIMENSIONS	205065	205065	Z40026	----	Z40012	Z40085	

Year	Engine		Notes	Muscle Car Radiator M / T	A / T	Hurricane Engine Driven Fan Shroud	SINGLE Fan Assembly Up to 390HP	DUAL Fan Assembly Up to 390HP	MAX Fan Assembly Over 390HP	
<b>CHEVROLET/GMC LIGHT TRUCK</b>										
<b>C/K SERIES PICKUP (CONT.)</b>										
1974	7.4L	454	V8	CHECK OEM DIMENSIONS	205065	205065	Z40026	---	Z40012	Z40085
1973	4.1L	250	L6	CHECK OEM DIMENSIONS	205055	205026	Z40026	---	Z40004	Z40099
	4.1L	250	L6	CHECK OEM DIMENSIONS	205056	205027	-----	---	Z40006	Z40082
	4.8L	292	L6	CHECK OEM DIMENSIONS	205055	205026	Z40026	---	Z40004	Z40099
	4.8L	292	L6	CHECK OEM DIMENSIONS	205056	205027	-----	---	Z40006	Z40082
	5.0L	307	V8	CHECK OEM DIMENSIONS	205055	205026	Z40026	---	Z40004	Z40099
	5.7L	350	V8	CHECK OEM DIMENSIONS	205055	205026	Z40026	---	Z40004	Z40099
	7.4L	454	V8	CHECK OEM DIMENSIONS	205065	205065	Z40026	---	Z40012	Z40085
	5.0L	307	V8	CHECK OEM DIMENSIONS	205179	205179	---	---	Z40104	---
1972	5.7L	350	V8	CHECK OEM DIMENSIONS	205179	205179	---	---	Z40104	---
	5.0L	307	V8	CHECK OEM DIMENSIONS	205179	205179	---	---	Z40104	---
1971	5.7L	350	V8	CHECK OEM DIMENSIONS	205179	205179	---	---	Z40104	---
	5.0L	307	V8	CHECK OEM DIMENSIONS	205179	205179	---	---	Z40104	---
1970	5.7L	350	V8	CHECK OEM DIMENSIONS	205179	205179	---	---	Z40104	---
	5.0L	307	V8	CHECK OEM DIMENSIONS	205179	205179	---	---	Z40104	---
1969	5.7L	350	V8	CHECK OEM DIMENSIONS	205179	205179	---	---	Z40104	---
	6.5L	396	V8	CHECK OEM DIMENSIONS	205179	205179	---	---	Z40104	---
	5.0L	307	V8	CHECK OEM DIMENSIONS	205179	205179	---	---	Z40104	---
1968	6.5L	396	V8	CHECK OEM DIMENSIONS	205179	205179	---	---	Z40104	---
	5.0L	307	V8	CHECK OEM DIMENSIONS	205179	205179	---	---	Z40104	---
1966	3.8L	---	---		205231	205231	---	---	Z40128, Z40129	---
	4.1L	---	---		205231	205231	---	---	Z40128, Z40129	---
	4.6L	---	---		205231	205231	---	---	Z40128, Z40129	---
	4.8L	---	---		205231	205231	---	---	Z40128, Z40129	---
1965	3.8L	---	---		205231	205231	---	---	Z40128, Z40129	---
	4.1L	---	---		205231	205231	---	---	Z40128, Z40129	---
	4.6L	---	---		205231	205231	---	---	Z40128, Z40129	---
	4.8L	---	---		205231	205231	---	---	Z40128, Z40129	---
1964	3.8L	---	---		205231	205231	---	---	Z40128, Z40129	---
	4.1L	---	---		205231	205231	---	---	Z40128, Z40129	---
	4.6L	---	---		205231	205231	---	---	Z40128, Z40129	---
	4.8L	---	---		205231	205231	---	---	Z40128, Z40129	---
1963	3.8L	---	---		205231	205231	---	---	Z40128, Z40129	---
	4.1L	---	---		205231	205231	---	---	Z40128, Z40129	---
	4.6L	---	---		205231	205231	---	---	Z40128, Z40129	---
	4.8L	---	---		205231	205231	---	---	Z40128, Z40129	---
<b>PICKUP</b>										
1959			V8	SMALL BLOCK ENGINE	205186	205186	---	Z40110	Z41041	Z40111
1958			V8	SMALL BLOCK ENGINE	205186	205186	---	Z40110	Z41041	Z40111
1957			V8	SMALL BLOCK ENGINE	205186	205186	---	Z40110	Z41041	Z40111
1956			V8	SMALL BLOCK ENGINE	205186	205186	---	Z40110	Z41041	Z40111
1955			V8	SMALL BLOCK ENGINE	205186	205186	---	Z40110	Z41041	Z40111
1954			V8	CONVERSION	205193	205193	Z40034	---	Z40108	---
1953			V8	CONVERSION	205193	205193	Z40034	---	Z40108	---
1952			V8	CONVERSION	205193	205193	Z40034	---	Z40108	---
1951			V8	CONVERSION	205193	205193	Z40034	---	Z40108	---
1950			V8	CONVERSION	205193	205193	Z40034	---	Z40108	---
1949			V8	CONVERSION	205193	205193	Z40034	---	Z40108	---
1948			V8	CONVERSION	205193	205193	Z40034	---	Z40108	---
1947			V8	CONVERSION	205193	205193	Z40034	---	Z40108	---
<b>G SERIES VAN</b>										
1991	5.0L	305	V8		205055	205026	Z40026	---	Z40004	Z40099
	5.7L	350	V8		205055	205026	Z40026	---	Z40004	Z40099
1990	5.0L	305	V8		205055	205026	Z40026	---	Z40004	Z40099
	5.0L	305	V8		205065	205065	Z40026	---	Z40012	Z40085
1989	5.0L	305	V8		205055	205026	Z40026	---	Z40004	Z40099

Year	Engine			Notes	Muscle Car Radiator M / T	Muscle Car Radiator A / T	Hurricane Engine Driven Fan Shroud	SINGLE Fan Assembly Up to 390HP	DUAL Fan Assembly Up to 390HP	MAX Fan Assembly Over 390HP
<b>CHEVROLET/GMC LIGHT TRUCK</b>										
<b>G SERIES VAN (CONT.)</b>										
1989	5.0L	305	V8		205065	205065	Z40026	—	Z40012	Z40085
	5.7L	350	V8		205055	205026	Z40026	—	Z40004	Z40099
1988	5.0L	305	V8		205055	205026	Z40026	—	Z40004	Z40099
	5.7L	350	V8		205055	205026	Z40026	—	Z40004	Z40099
1987	5.0L	305	V8		205055	205026	Z40026	—	Z40004	Z40099
	5.7L	350	V8		205055	205026	Z40026	—	Z40004	Z40099
1986	5.0L	305	V8		205055	205026	Z40026	—	Z40004	Z40099
	5.7L	350	V8		205055	205026	Z40026	—	Z40004	Z40099
1985	5.0L	305	V8		205055	205026	Z40026	—	Z40004	Z40099
	5.7L	350	V8		205055	205026	Z40026	—	Z40004	Z40099
1984	4.1L	250	L6	CHECK OEM DIMENSIONS	205055	205026	Z40026	—	Z40004	Z40099
	4.1L	250	L6	CHECK OEM DIMENSIONS	205056	205027	-----	—	Z40006	Z40082
	5.0L	305	V8	CHECK OEM DIMENSIONS	205055	205026	Z40026	—	Z40004	Z40099
	5.0L	305	V8	CHECK OEM DIMENSIONS	205056	205027	-----	—	Z40006	Z40082
	5.7L	350	V8		205055	205026	Z40026	—	Z40004	Z40099
1983	4.1L	250	L6	CHECK OEM DIMENSIONS	205055	205026	Z40026	—	Z40004	Z40099
	4.1L	250	L6	CHECK OEM DIMENSIONS	205056	205027	-----	—	Z40006	Z40082
	5.0L	305	V8	CHECK OEM DIMENSIONS	205055	205026	Z40026	—	Z40004	Z40099
	5.0L	305	V8	CHECK OEM DIMENSIONS	205056	205027	-----	—	Z40006	Z40082
	5.7L	350	V8		205055	205026	Z40026	—	Z40004	Z40099
1982	4.1L	250	L6	CHECK OEM DIMENSIONS	205055	205026	Z40026	—	Z40004	Z40099
	4.1L	250	L6	CHECK OEM DIMENSIONS	205056	205027	-----	—	Z40006	Z40082
	5.0L	305	V8	CHECK OEM DIMENSIONS	205055	205026	Z40026	—	Z40004	Z40099
	5.0L	305	V8	CHECK OEM DIMENSIONS	205056	205027	-----	—	Z40006	Z40082
	5.7L	350	V8		205055	205026	Z40026	—	Z40004	Z40099
1981	4.1L	250	L6	CHECK OEM DIMENSIONS	205055	205026	Z40026	—	Z40004	Z40099
	4.1L	250	L6	CHECK OEM DIMENSIONS	205056	205027	-----	—	Z40006	Z40082
	5.0L	305	V8	CHECK OEM DIMENSIONS	205055	205026	Z40026	—	Z40004	Z40099
	5.0L	305	V8	CHECK OEM DIMENSIONS	205056	205027	-----	—	Z40006	Z40082
	5.7L	350	V8		205055	205026	Z40026	—	Z40004	Z40099
1980	4.1L	250	L6	CHECK OEM DIMENSIONS	205055	205026	Z40026	—	Z40004	Z40099
	4.1L	250	L6	CHECK OEM DIMENSIONS	205056	205027	-----	—	Z40006	Z40082
	5.0L	305	V8	CHECK OEM DIMENSIONS	205055	205026	Z40026	—	Z40004	Z40099
	5.7L	350	V8		205055	205026	Z40026	—	Z40004	Z40099
1979	4.1L	250	L6	CHECK OEM DIMENSIONS	205055	205026	Z40026	—	Z40004	Z40099
	4.1L	250	L6	CHECK OEM DIMENSIONS	205056	205027	-----	—	Z40006	Z40082
	5.0L	305	V8		205055	205026	Z40026	—	Z40004	Z40099
	5.7L	350	V8		205055	205026	Z40026	—	Z40004	Z40099
	6.5L	400	V8		205055	205026	Z40026	—	Z40004	Z40099
1978	4.1L	250	L6	CHECK OEM DIMENSIONS	205055	205026	Z40026	—	Z40004	Z40099
	4.1L	250	L6	CHECK OEM DIMENSIONS	205056	205027	-----	—	Z40006	Z40082
	5.0L	305	V8		205055	205026	Z40026	—	Z40004	Z40099
	5.7L	350	V8		205055	205026	Z40026	—	Z40004	Z40099
	6.6L	400	V8		205055	205026	Z40026	—	Z40004	Z40099
1977	4.1L	250	L6	CHECK OEM DIMENSIONS	205055	205026	Z40026	—	Z40004	Z40099
	4.1L	250	L6	CHECK OEM DIMENSIONS	205056	205027	-----	—	Z40006	Z40082
	5.0L	305	V8		205055	205026	Z40026	—	Z40004	Z40099
	5.7L	350	V8		205055	205026	Z40026	—	Z40004	Z40099
1976	4.1L	250	L6	CHECK OEM DIMENSIONS	205055	205026	Z40026	—	Z40004	Z40099
	4.1L	250	L6	CHECK OEM DIMENSIONS	205056	205027	-----	—	Z40006	Z40082
	5.7L	350	V8		205055	205026	Z40026	—	Z40004	Z40099
1975	4.1L	250	L6	CHECK OEM DIMENSIONS	205055	205026	Z40026	—	Z40004	Z40099
	4.1L	250	L6	CHECK OEM DIMENSIONS	205056	205027	-----	—	Z40006	Z40082
	5.7L	350	V8		205055	205026	Z40026	—	Z40004	Z40099

Year	Engine	Notes	Muscle Car Radiator M / T	A / T	Hurricane Engine Driven Fan Shroud	SINGLE Fan Assembly Up to 390HP	DUAL Fan Assembly Up to 390HP	MAX Fan Assembly Over 390HP	
<b>CHEVROLET/GMC LIGHT TRUCK</b>									
<b>G SERIES VAN (CONT.)</b>									
1974	4.1L 250 L6	CHECK OEM DIMENSIONS	205055	205026	Z40026	----	Z40004	Z40099	
	4.1L 250 L6	CHECK OEM DIMENSIONS	205056	205027	-----	----	Z40006	Z40082	
	5.7L 350 V8		205055	205026	Z40026	----	Z40004	Z40099	
1973	4.1L 250 L6	CHECK OEM DIMENSIONS	205055	205026	Z40026	----	Z40004	Z40099	
	4.1L 250 L6	CHECK OEM DIMENSIONS	205056	205027	-----	----	Z40006	Z40082	
	5.0L 307 V8		205055	205026	Z40026	----	Z40004	Z40099	
	5.7L 350 V8		205055	205026	Z40026	----	Z40004	Z40099	
1972	4.1L 250 L6	CHECK OEM DIMENSIONS	205055	205026	Z40026	----	Z40004	Z40099	
	4.1L 250 L6	CHECK OEM DIMENSIONS	205056	205027	-----	----	Z40006	Z40082	
	5.0L 307 V8		205055	205026	Z40026	----	Z40004	Z40099	
	5.7L 350 V8		205055	205026	Z40026	----	Z40004	Z40099	
1970	5.7L 350 V8	CHECK OEM DIMENSIONS	205179	205179	-----	----	Z40104	Z40082	
	<b>P SERIES MOTORHOMES</b>								
	1993	4.3L 262 V8		205055	205026	Z40026	----	Z40004	Z40099
5.7L 350 V8			205055	205026	Z40026	----	Z40004	Z40099	
1992	4.3L 262 V8		205055	205026	Z40026	----	Z40004	Z40099	
	5.7L 350 V8		205055	205026	Z40026	----	Z40004	Z40099	
1991	4.3L 262 V8		205055	205026	Z40026	----	Z40004	Z40099	
	5.7L 350 V8		205055	205026	Z40026	----	Z40004	Z40099	
1990	4.8L 292 L6		205055	205026	Z40026	----	Z40004	Z40099	
	5.7L 350 V8		205055	205062	-----	----	Z40006	Z40082	
	5.7L 350 V8		205065	205065	Z40026	----	Z40012	Z40085	
1989	4.8L 292 L6		205055	205026	Z40026	----	Z40004	Z40099	
	5.7L 350 V8		205062	205062	-----	----	Z40006	Z40082	
	5.7L 350 V8		205065	205065	Z40026	----	Z40012	Z40085	
1988	4.9L 292 L6		205055	205026	Z40026	----	Z40004	Z40099	
	5.7L 350 V8		205055	205026	-----	----	Z40006	Z40082	
1987	4.8L 292 L6		205055	205026	Z40026	----	Z40004	Z40099	
	5.7L 350 V8		205055	205026	-----	----	Z40006	Z40082	
1986	4.8L 292 L6		205055	205026	Z40026	----	Z40004	Z40099	
	5.7L 350 V8		205055	205026	-----	----	Z40006	Z40082	
1985	4.8L 292 L6		205055	205026	Z40026	----	Z40004	Z40099	
	5.7L 350 V8		205055	205026	-----	----	Z40006	Z40082	
1984	4.8L 292 L6		205055	205026	Z40026	----	Z40004	Z40099	
	5.7L 350 V8		205055	205026	-----	----	Z40006	Z40082	
1983	4.8L 292 L6		205055	205026	Z40026	----	Z40004	Z40099	
	5.7L 350 V8		205055	205026	-----	----	Z40006	Z40082	
1982	4.8L 292 L6		205055	205026	Z40026	----	Z40004	Z40099	
	5.7L 350 V8		205055	205026	-----	----	Z40006	Z40082	
1981	5.7L 350 V8		205065	205065	Z40026	----	Z40012	Z40085	
	7.4L 454 V8		205065	205065	Z40026	----	Z40012	Z40085	
1980	4.8L 292 L6		205056	205027	-----	----	Z40006	Z40082	
	5.7L 350 V8		205065	205065	Z40026	----	Z40012	Z40085	
	7.4L 454 V8		205065	205065	Z40026	----	Z40012	Z40085	
1979	5.7L 350 V8		205065	205065	Z40026	----	Z40012	Z40085	
	7.4L 454 V8		205065	205065	Z40026	----	Z40012	Z40085	
1978	5.7L 350 V8		205065	205065	Z40026	----	Z40012	Z40085	
	7.4L 454 V8		205065	205065	Z40026	----	Z40012	Z40085	
1977	7.4L 454 V8		205065	205065	Z40026	----	Z40012	Z40085	
	7.4L 454 V8		205065	205065	Z40026	----	Z40012	Z40085	
1976	4.8L 292 L6		205055	205026	Z40026	----	Z40004	Z40099	
	5.7L 350 V8		205055	205026	Z40026	----	Z40004	Z40099	
1975	4.8L 292 L6		205055	205026	Z40026	----	Z40004	Z40099	
	5.7L 350 V8		205055	205026	Z40026	----	Z40004	Z40099	

Year	Engine			Notes	Muscle Car Radiator M / T	A / T	Hurricane Engine Driven Fan Shroud	SINGLE Fan Assembly Up to 390HP	DUAL Fan Assembly Up to 390HP	MAX Fan Assembly Over 390HP
<b>CHEVROLET/GMC LIGHT TRUCK</b>										
<b>P SERIES MOTORHOMES (CONT.)</b>										
1974	4.1L	250	L6		205055	205026	Z40026	—	Z40004	Z40099
	4.8L	292	L6		205055	205026	Z40026	—	Z40004	Z40099
	5.7L	350	V8		205055	205026	Z40026	—	Z40004	Z40099
1973	4.1L	250	L6		205055	205026	Z40026	—	Z40004	Z40099
	4.8L	292	L6		205055	205026	Z40026	—	Z40004	Z40099
	5.0L	307	V8		205055	205026	Z40026	—	Z40004	Z40099
	5.7L	350	V8		205055	205026	Z40026	—	Z40004	Z40099
	7.4L	454	V8		205065	205065	Z40026	—	Z40012	Z40085
<b>RV SERIES PICKUP</b>										
1991	5.7L	350	V8		205065	205065	Z40026	—	Z40012	Z40085
1990	5.7L	350	V8		205065	205065	Z40026	—	Z40012	Z40085
1989	5.7L	350	V8		205065	205065	Z40026	—	Z40012	Z40085
1988	5.7L	350	V8		205055	205026	Z40026	—	Z40004	Z40099
	5.7L	350	V8		205065	205065	Z40026	—	Z40012	Z40085
	7.4L	454	V8		205065	205065	Z40026	—	Z40012	Z40085
1987	5.7L	350	V8		205065	205065	Z40026	—	Z40012	Z40085
1986	5.7L	350	V8		205065	205065	Z40026	—	Z40012	Z40085
1985	7.4L	454	V8		205065	205065	Z40026	—	Z40012	Z40085
1970	5.7L	350	V8		205179	205179	—	—	Z40104	—
<b>S10 S/T SERIES/S10 BLAZER/P.U./S15 JIMMY</b>										
1994	5.7L	350	V8	V8 CONVERSION	205067	205067	—	—	Z40071	Z40092
1993	5.7L	350	V8	V8 CONVERSION	205067	205067	—	—	Z40071	Z40092
1992	5.7L	350	V8	V8 CONVERSION	205067	205067	—	—	Z40071	Z40092
1991	5.7L	350	V8	V8 CONVERSION	205067	205067	—	—	Z40071	Z40092
1990	5.7L	350	V8	V8 CONVERSION	205067	205067	—	—	Z40071	Z40092
1989	5.7L	350	V8	V8 CONVERSION	205067	205067	—	—	Z40071	Z40092
1988	5.7L	350	V8	V8 CONVERSION	205067	205067	—	—	Z40071	Z40092
1987	5.7L	350	V8	V8 CONVERSION	205067	205067	—	—	Z40071	Z40092
1986	5.7L	350	V8	V8 CONVERSION	205067	205067	—	—	Z40071	Z40092
1985	5.7L	350	V8	V8 CONVERSION	205067	205067	—	—	Z40071	Z40092
1984	5.7L	350	V8	V8 CONVERSION	205067	205067	—	—	Z40071	Z40092
1983	5.7L	350	V8	V8 CONVERSION	205067	205067	—	—	Z40071	Z40092
1982	5.7L	350	V8	V8 CONVERSION	205067	205067	—	—	Z40071	Z40092
<b>SUBURBAN</b>										
1994	5.7L	350	V8		205061	205061	Z40026	—	Z40004	Z40099
1993	5.7L	350	V8	CHECK OEM DIMENSIONS	205069	205069	—	—	Z41036	—
	7.4L	454	V8	CHECK OEM DIMENSIONS	205069	205069	—	—	Z41036	—
1992	5.7L	350	V8	CHECK OEM DIMENSIONS	205069	205069	—	—	Z41036	—
1991	5.7L	350	V8	CHECK OEM DIMENSIONS	205055	205026	Z40026	—	Z40004	Z40099
	5.7L	350	V8	CHECK OEM DIMENSIONS	205065	205065	Z40026	—	Z40012	Z40085
1990	5.7L	350	V8	CHECK OEM DIMENSIONS	205055	205026	Z40026	—	Z40004	Z40099
	5.7L	350	V8	CHECK OEM DIMENSIONS	205065	205065	Z40026	—	Z40012	Z40085
1989	5.7L	350	V8	CHECK OEM DIMENSIONS	205055	205026	Z40026	—	Z40004	Z40099
	5.7L	350	V8	CHECK OEM DIMENSIONS	205065	205065	Z40026	—	Z40012	Z40085
1988	5.7L	350	V8	CHECK OEM DIMENSIONS	205055	205026	Z40026	—	Z40004	Z40099
	5.7L	350	V8	CHECK OEM DIMENSIONS	205065	205065	Z40026	—	Z40012	Z40085
1987	5.0L	305	V8	CHECK OEM DIMENSIONS	205055	205026	Z40026	—	Z40004	Z40099
	5.0L	305	V8	CHECK OEM DIMENSIONS	205065	205065	Z40026	—	Z40012	Z40085
	5.7L	350	V8	CHECK OEM DIMENSIONS	205055	205026	Z40026	—	Z40004	Z40099
	5.7L	350	V8	CHECK OEM DIMENSIONS	205065	205065	Z40026	—	Z40012	Z40085
1986	5.0L	305	V8	CHECK OEM DIMENSIONS	205055	205026	Z40026	—	Z40004	Z40099
	5.0L	305	V8	CHECK OEM DIMENSIONS	205065	205065	Z40026	—	Z40012	Z40085
	5.7L	350	V8	CHECK OEM DIMENSIONS	205055	205026	Z40026	—	Z40004	Z40099
	5.7L	350	V8	CHECK OEM DIMENSIONS	205065	205065	Z40026	—	Z40012	Z40085

Year	Engine			Notes	Muscle Car Radiator M / T	A / T	Hurricane Engine Driven Fan Shroud	SINGLE Fan Assembly Up to 390HP	DUAL Fan Assembly Up to 390HP	MAX Fan Assembly Over 390HP	
<b>CHEVROLET/GMC LIGHT TRUCK</b>											
<b>SUBURBAN (CONT.)</b>											
1986	7.4L	454	V8	CHECK OEM DIMENSIONS	205065	205065	Z40026	—	Z40012	Z40085	
1985	5.0L	305	V8	CHECK OEM DIMENSIONS	205055	205026	Z40026	—	Z40004	Z40099	
	5.0L	305	V8	CHECK OEM DIMENSIONS	205065	205065	Z40026	—	Z40012	Z40085	
	5.7L	350	V8	CHECK OEM DIMENSIONS	205055	205026	Z40026	—	Z40004	Z40099	
	5.7L	350	V8	CHECK OEM DIMENSIONS	205065	205065	Z40026	—	Z40012	Z40085	
	7.4L	454	V8	CHECK OEM DIMENSIONS	205065	205065	Z40026	—	Z40012	Z40085	
	1984	5.0L	305	V8	CHECK OEM DIMENSIONS	205055	205026	Z40026	—	Z40004	Z40099
	5.0L	305	V8	CHECK OEM DIMENSIONS	205065	205065	Z40026	—	Z40012	Z40085	
	5.7L	350	V8	CHECK OEM DIMENSIONS	205055	205026	Z40026	—	Z40004	Z40099	
	5.7L	350	V8	CHECK OEM DIMENSIONS	205065	205065	Z40026	—	Z40012	Z40085	
	7.4L	454	V8	CHECK OEM DIMENSIONS	205065	205065	Z40026	—	Z40012	Z40085	
1983	5.0L	305	V8	CHECK OEM DIMENSIONS	205055	205026	Z40026	—	Z40004	Z40099	
	5.0L	305	V8	CHECK OEM DIMENSIONS	205065	205065	Z40026	—	Z40012	Z40085	
	5.7L	350	V8	CHECK OEM DIMENSIONS	205055	205026	Z40026	—	Z40004	Z40099	
	5.7L	350	V8	CHECK OEM DIMENSIONS	205065	205065	Z40026	—	Z40012	Z40085	
	7.4L	454	V8	CHECK OEM DIMENSIONS	205065	205065	Z40026	—	Z40012	Z40085	
1982	4.1L	250	L6	CHECK OEM DIMENSIONS	205055	205026	Z40026	—	Z40004	Z40099	
	4.1L	250	L6	CHECK OEM DIMENSIONS	205056	205027	—	—	Z40006	Z40082	
	4.8L	292	L6	CHECK OEM DIMENSIONS	205055	205026	Z40026	—	Z40004	Z40099	
	5.0L	305	V8	CHECK OEM DIMENSIONS	205055	205026	Z40026	—	Z40004	Z40099	
	5.0L	305	V8	CHECK OEM DIMENSIONS	205065	205065	Z40026	—	Z40012	Z40085	
	5.7L	350	V8	CHECK OEM DIMENSIONS	205055	205026	Z40026	—	Z40004	Z40099	
	5.7L	350	V8	CHECK OEM DIMENSIONS	205065	205065	Z40026	—	Z40012	Z40085	
	7.4L	454	V8	CHECK OEM DIMENSIONS	205065	205065	Z40026	—	Z40012	Z40085	
1981	4.1L	250	L6	CHECK OEM DIMENSIONS	205055	205026	Z40026	—	Z40004	Z40099	
	4.1L	250	L6	CHECK OEM DIMENSIONS	205056	205027	—	—	Z40006	Z40082	
	4.8L	292	L6	CHECK OEM DIMENSIONS	205055	205026	Z40026	—	Z40004	Z40099	
	4.8L	292	L6	CHECK OEM DIMENSIONS	205056	205027	—	—	Z40006	Z40082	
	5.0L	305	V8	CHECK OEM DIMENSIONS	205055	205026	Z40026	—	Z40004	Z40099	
	5.0L	305	V8	CHECK OEM DIMENSIONS	205065	205065	Z40026	—	Z40012	Z40085	
	5.7L	350	V8	CHECK OEM DIMENSIONS	205055	205026	Z40026	—	Z40004	Z40099	
	5.7L	350	V8	CHECK OEM DIMENSIONS	205065	205065	Z40026	—	Z40012	Z40085	
	7.4L	454	V8	CHECK OEM DIMENSIONS	205065	205065	Z40026	—	Z40012	Z40085	
	1980	4.8L	292	L6	CHECK OEM DIMENSIONS	205055	205026	Z40026	—	Z40004	Z40099
		4.8L	292	L6	CHECK OEM DIMENSIONS	205056	205027	—	—	Z40006	Z40082
5.0L		305	V8	CHECK OEM DIMENSIONS	205055	205026	Z40026	—	Z40004	Z40099	
5.0L		305	V8	CHECK OEM DIMENSIONS	205065	205065	Z40026	—	Z40012	Z40085	
5.7L		350	V8	CHECK OEM DIMENSIONS	205055	205026	Z40026	—	Z40004	Z40099	
6.5L		400	V8	CHECK OEM DIMENSIONS	205065	205065	Z40026	—	Z40012	Z40085	
7.4L		454	V8	CHECK OEM DIMENSIONS	205065	205065	Z40026	—	Z40012	Z40085	
1979		4.1L	250	L6	CHECK OEM DIMENSIONS	205055	205026	Z40026	—	Z40004	Z40099
	4.1L	250	L6	CHECK OEM DIMENSIONS	205056	205027	—	—	Z40006	Z40082	
	4.8L	292	L6	CHECK OEM DIMENSIONS	205055	205026	Z40026	—	Z40004	Z40099	
	5.0L	305	V8	CHECK OEM DIMENSIONS	205055	205026	Z40026	—	Z40004	Z40099	
	5.0L	305	V8	CHECK OEM DIMENSIONS	205065	205065	Z40026	—	Z40012	Z40085	
	5.7L	350	V8	CHECK OEM DIMENSIONS	205055	205026	Z40026	—	Z40004	Z40099	
	5.7L	350	V8	CHECK OEM DIMENSIONS	205065	205065	Z40026	—	Z40012	Z40085	
	6.5L	400	V8	CHECK OEM DIMENSIONS	205065	205065	Z40026	—	Z40012	Z40085	
	7.4L	454	V8	CHECK OEM DIMENSIONS	205065	205065	Z40026	—	Z40012	Z40085	
1978	4.1L	250	L6	CHECK OEM DIMENSIONS	205055	205026	Z40026	—	Z40004	Z40099	
	4.1L	250	L6	CHECK OEM DIMENSIONS	205056	205027	—	—	Z40006	Z40082	
	4.8L	292	L6	CHECK OEM DIMENSIONS	205055	205026	Z40026	—	Z40004	Z40099	
	5.0L	305	V8	CHECK OEM DIMENSIONS	205055	205026	Z40026	—	Z40004	Z40099	
	5.0L	305	V8	CHECK OEM DIMENSIONS	205065	205065	Z40026	—	Z40012	Z40085	
	5.7L	350	V8	CHECK OEM DIMENSIONS	205055	205026	Z40026	—	Z40004	Z40099	
	5.7L	350	V8	CHECK OEM DIMENSIONS	205065	205065	Z40026	—	Z40012	Z40085	

Year	Engine			Notes	Muscle Car M / T	Radiator A / T	Hurricane Engine Driven Fan Shroud	SINGLE Fan Assembly Up to 390HP	DUAL Fan Assembly Up to 390HP	MAX Fan Assembly Over 390HP
<b>CHEVROLET/GMC LIGHT TRUCK</b>										
<b>SUBURBAN (CONT.)</b>										
1978	6.5L	400	V8	CHECK OEM DIMENSIONS	205065	205065	Z40026	—	Z40012	Z40085
	7.4L	454	V8	CHECK OEM DIMENSIONS	205065	205065	Z40026	—	Z40012	Z40085
1977	4.1L	250	L6	CHECK OEM DIMENSIONS	205055	205026	Z40026	—	Z40004	Z40099
	4.8L	292	L6	CHECK OEM DIMENSIONS	205055	205026	Z40026	—	Z40004	Z40099
	5.0L	305	V8	CHECK OEM DIMENSIONS	205055	205026	Z40026	—	Z40004	Z40099
	5.7L	350	V8	CHECK OEM DIMENSIONS	205055	205026	Z40026	—	Z40004	Z40099
	6.5L	400	V8	CHECK OEM DIMENSIONS	205065	205065	Z40026	—	Z40012	Z40085
	7.4L	454	V8	CHECK OEM DIMENSIONS	205065	205065	Z40026	—	Z40012	Z40085
	1976	4.1L	250	L6	CHECK OEM DIMENSIONS	205055	205026	Z40026	—	Z40004
	4.1L	250	L6	CHECK OEM DIMENSIONS	205056	205027	—	—	Z40006	Z40082
	4.8L	292	L6	CHECK OEM DIMENSIONS	205055	205026	Z40026	—	Z40004	Z40099
	4.8L	292	L6	CHECK OEM DIMENSIONS	205056	205027	—	—	Z40006	Z40082
	5.7L	350	V8	CHECK OEM DIMENSIONS	205055	205026	Z40026	—	Z40004	Z40099
	6.5L	400	V8	CHECK OEM DIMENSIONS	205065	205065	Z40026	—	Z40012	Z40085
	7.4L	454	V8	CHECK OEM DIMENSIONS	205065	205065	Z40026	—	Z40012	Z40085
1975	4.1L	250	L6	CHECK OEM DIMENSIONS	205055	205026	Z40026	—	Z40004	Z40099
	4.1L	250	L6	CHECK OEM DIMENSIONS	205056	205027	—	—	Z40006	Z40082
	4.8L	292	L6	CHECK OEM DIMENSIONS	205055	205026	Z40026	—	Z40004	Z40099
	4.8L	292	L6	CHECK OEM DIMENSIONS	205056	205027	—	—	Z40006	Z40082
	5.7L	350	V8	CHECK OEM DIMENSIONS	205055	205026	Z40026	—	Z40004	Z40099
	6.5L	400	V8	CHECK OEM DIMENSIONS	205065	205065	Z40026	—	Z40012	Z40085
	7.4L	454	V8	CHECK OEM DIMENSIONS	205065	205065	Z40026	—	Z40012	Z40085
1974	4.1L	250	L6	CHECK OEM DIMENSIONS	205055	205026	Z40026	—	Z40004	Z40099
	4.1L	250	L6	CHECK OEM DIMENSIONS	205056	205027	—	—	Z40006	Z40082
	4.8L	292	L6	CHECK OEM DIMENSIONS	205055	205026	Z40026	—	Z40004	Z40099
	4.8L	292	L6	CHECK OEM DIMENSIONS	205056	205027	—	—	Z40006	Z40082
	5.7L	350	V8	CHECK OEM DIMENSIONS	205055	205026	Z40026	—	Z40004	Z40099
	6.5L	400	V8	CHECK OEM DIMENSIONS	205065	205065	Z40026	—	Z40012	Z40085
	7.4L	454	V8	CHECK OEM DIMENSIONS	205065	205065	Z40026	—	Z40012	Z40085
1973	4.1L	250	L6	CHECK OEM DIMENSIONS	205055	205026	Z40026	—	Z40004	Z40099
	4.1L	250	L6	CHECK OEM DIMENSIONS	205056	205027	—	—	Z40006	Z40082
	4.8L	292	L6	CHECK OEM DIMENSIONS	205055	205026	Z40026	—	Z40004	Z40099
	4.8L	292	L6	CHECK OEM DIMENSIONS	205056	205027	—	—	Z40006	Z40082
	5.0L	307	V8	CHECK OEM DIMENSIONS	205055	205026	Z40026	—	Z40004	Z40099
	5.7L	350	V8	CHECK OEM DIMENSIONS	205055	205026	Z40026	—	Z40004	Z40099
	5.7L	350	V8	CHECK OEM DIMENSIONS	205056	205027	Z40026	—	Z40004	Z40099
	6.5L	400	V8	CHECK OEM DIMENSIONS	205065	205065	Z40026	—	Z40012	Z40085
	7.4L	454	V8	CHECK OEM DIMENSIONS	205065	205065	Z40026	—	Z40012	Z40085
1972	4.1L	250	L6		205179	205179	—	—	Z40104	—
	4.8L	292	L6		205179	205179	—	—	Z40104	—
	5.3L	307	V8		205179	205179	—	—	Z40104	—
	5.7L	350	V8		205179	205179	—	—	Z40104	—
1971	4.1L	250	L6		205179	205179	—	—	Z40104	—
	4.8L	292	L6		205179	205179	—	—	Z40104	—
	5.0L	307	V8		205179	205179	—	—	Z40104	—
	5.7L	350	V8		205179	205179	—	—	Z40104	—
1970	4.1L	250	L6		205179	205179	—	—	Z40104	—
	4.8L	292	L6		205179	205179	—	—	Z40104	—
	5.0L	307	V8		205179	205179	—	—	Z40104	—
	5.7L	350	V8		205179	205179	—	—	Z40104	—
1969	4.1L	250	L6		205179	205179	—	—	Z40104	—
	4.8L	292	L6		205179	205179	—	—	Z40104	—
	5.0L	307	V8		205179	205179	—	—	Z40104	—
	5.7L	350	V8		205179	205179	—	—	Z40104	—
1968	4.1L	250	L6		205179	205179	—	—	Z40104	—
	4.8L	292	L6		205179	205179	—	—	Z40104	—

Year	Engine	Notes	Muscle Car M / T	Radiator A / T	Hurricane Engine Driven Fan Shroud	SINGLE Fan Assembly Up to 390HP	DUAL Fan Assembly Up to 390HP	MAX Fan Assembly Over 390HP
<b>CHEVROLET/GMC LIGHT TRUCK</b>								
<b>SUBURBAN (CONT.)</b>								
1968	5.0L 307 V8		205179	205179	---	---	Z40104	---
1966	3.8L -- --		205231	205231	---	---	---	---
	4.1L -- --		205231	205231	---	---	---	---
	4.6L -- --		205231	205231	---	---	---	---
	4.8L -- --		205231	205231	---	---	---	---
	5.3L -- --		205231	205231	---	---	---	---
	5.7L -- --		205231	205231	---	---	---	---
1965	3.8L -- --		205231	205231	---	---	---	---
	4.1L -- --		205231	205231	---	---	---	---
	4.6L -- --		205231	205231	---	---	---	---
	4.8L -- --		205231	205231	---	---	---	---
	5.3L -- --		205231	205231	---	---	---	---
	5.7L -- --		205231	205231	---	---	---	---
1964	3.8L -- --		205231	205231	---	---	---	---
	4.1L -- --		205231	205231	---	---	---	---
	4.6L -- --		205231	205231	---	---	---	---
	4.8L -- --		205231	205231	---	---	---	---
	5.3L -- --		205231	205231	---	---	---	---
	5.7L -- --		205231	205231	---	---	---	---
1963	3.8L -- --		205231	205231	---	---	---	---
	4.1L -- --		205231	205231	---	---	---	---
	4.6L -- --		205231	205231	---	---	---	---
	4.8L -- --		205231	205231	---	---	---	---
	5.3L -- --		205231	205231	---	---	---	---
	5.7L -- --		205231	205231	---	---	---	---

**CHRYSLER**

**300**

1979	5.2L 318 V8		205192	205192	---	---	---	Z40109
	5.5L 340 V8		205192	205192	---	---	---	Z40109
	6.2L 383 V8		205191	205191	---	---	---	Z40109
	6.9L 426 V8		205191	205191	---	---	---	Z40109

**CORDOBA**

1979	5.2L 318 V8		205192	205192	---	---	---	Z40109
	5.5L 340 V8		205192	205192	---	---	---	Z40109
	6.2L 383 V8		205191	205191	---	---	---	Z40109
	6.9L 426 V8		205191	205191	---	---	---	Z40109
1978	5.2L 318 V8		205192	205192	---	---	---	Z40109
	5.5L 340 V8		205192	205192	---	---	---	Z40109
	6.2L 383 V8		205191	205191	---	---	---	Z40109
	6.6L 400 V8		205070	205070	Z40031	---	Z40007	Z40093
	6.9L 426 V8		205191	205191	---	---	---	Z40109
1977	5.2L 318 V8		205192	205192	---	---	---	Z40109
	5.5L 340 V8		205192	205192	---	---	---	Z40109
	6.2L 383 V8		205191	205191	---	---	---	Z40109
	6.6L 400 V8		205070	205070	Z40031	---	Z40007	Z40093
	6.9L 426 V8		205191	205191	---	---	---	Z40109
1976	5.2L 318 V8		205192	205192	---	---	---	Z40109
	5.5L 340 V8		205192	205192	---	---	---	Z40109
	6.2L 383 V8		205191	205191	---	---	---	Z40109
	6.5L 400 V8		205070	205070	Z40031	---	Z40007	Z40093
	6.9L 426 V8		205191	205191	---	---	---	Z40109
1975	5.2L 318 V8		205192	205192	---	---	---	Z40109
	5.5L 340 V8		205192	205192	---	---	---	Z40109
	6.2L 383 V8		205191	205191	---	---	---	Z40109

Year	Engine	Notes	Muscle Car Radiator M / T	A / T	Hurricane Engine Driven Fan Shroud	SINGLE Fan Assembly Up to 390HP	DUAL Fan Assembly Up to 390HP	MAX Fan Assembly Over 390HP
<b>CHRYSLER</b>								
<b>CORDOBA (CONT.)</b>								
1975	6.6L 400 V8		205070	205070	Z40031	—	Z40007	Z40093
	6.9L 426 V8		205191	205191	—	—	—	Z40109
<b>NEW YORKER</b>								
1980	5.2L 318 V8		205071	205071	Z40031	—	Z40007	Z40093
	5.9L 360 V8		205071	205071	Z40031	—	Z40007	Z40093
1979	5.2L 318 V8		205071	205071	Z40031	—	Z40007	Z40093
	5.9L 360 V8		205071	205071	Z40031	—	Z40007	Z40093
1978	5.9L 360 V8		205070	205070	Z40031	—	Z40007	Z40093
	6.6L 400 V8		205071	205071	Z40031	—	Z40007	Z40093
1977	5.9L 360 V8		205070	205070	Z40031	—	Z40007	Z40093
	6.5L 400 V8		205071	205071	Z40031	—	Z40007	Z40093
1976	5.9L 360 V8		205070	205070	Z40031	—	Z40007	Z40093
	6.5L 400 V8		205071	205071	Z40031	—	Z40007	Z40093
1975	5.9L 360 V8		205070	205070	Z40031	—	Z40007	Z40093
	6.5L 400 V8		205071	205071	Z40031	—	Z40007	Z40093
1974	6.5L 400 V8		205071	205071	Z40031	—	Z40007	Z40093
	5.9L 360 V8		205070	205070	Z40031	—	Z40007	Z40093
1972	6.5L 400 V8		205071	205071	Z40031	—	Z40007	Z40093
	5.9L 360 V8		205070	205070	Z40031	—	Z40007	Z40093
1971	5.9L 360 V8		205070	205070	Z40031	—	Z40007	Z40093
	6.5L 400 V8		205071	205071	Z40031	—	Z40007	Z40093
<b>NEWPORT</b>								
1980	5.2L 318 V8		205071	205071	Z40031	—	Z40007	Z40093
	5.9L 360 V8		205071	205071	Z40031	—	Z40007	Z40093
1979	5.2L 318 V8		205071	205071	Z40031	—	Z40007	Z40093
	5.9L 360 V8		205071	205071	Z40031	—	Z40007	Z40093
1978	5.9L 360 V8		205070	205070	Z40031	—	Z40007	Z40093
	6.6L 400 V8		205071	205071	Z40031	—	Z40007	Z40093
1977	5.9L 360 V8		205070	205070	Z40031	—	Z40007	Z40093
	6.5L 400 V8		205071	205071	Z40031	—	Z40007	Z40093
1976	5.9L 360 V8		205070	205070	Z40031	—	Z40007	Z40093
	6.5L 400 V8		205071	205071	Z40031	—	Z40007	Z40093
1975	5.9L 360 V8		205070	205070	Z40031	—	Z40007	Z40093
	6.5L 400 V8		205071	205071	Z40031	—	Z40007	Z40093
1974	6.5L 400 V8		205071	205071	Z40031	—	Z40007	Z40093
	5.9L 360 V8		205070	205070	Z40031	—	Z40007	Z40093
1972	6.6L 400 V8		205070	205070	Z40031	—	Z40007	Z40093
	5.9L 360 V8		205070	205070	Z40031	—	Z40007	Z40093
1971	5.9L 360 V8		205070	205070	Z40031	—	Z40007	Z40093
	6.6L 400 V8		205070	205070	Z40031	—	Z40007	Z40093
<b>TOWN &amp; COUNTRY</b>								
1977	5.9L 360 V8		205070	205070	Z40031	—	Z40007	Z40093
1976	5.9L 360 V8		205070	205070	Z40031	—	Z40007	Z40093
1975	5.9L 360 V8		205070	205070	Z40031	—	Z40007	Z40093
1972	5.9L 360 V8		205070	205070	Z40031	—	Z40007	Z40093
	6.5L 400 V8		205070	205070	Z40031	—	Z40007	Z40093
1971	5.9L 360 V8		205070	205070	Z40031	—	Z40007	Z40093
	6.2L 383 V8		205070	205070	Z40031	—	Z40007	Z40093
<b>DODGE</b>								
<b>330</b>								
1964	5.2L 318 V8		205192	205192	—	—	—	Z40109
	5.5L 340 V8		205192	205192	—	—	—	Z40109
	6.2L 383 V8		205191	205191	—	—	—	Z40109
	6.9L 426 V8		205191	205191	—	—	—	Z40109
1963	5.2L 318 V8		205192	205192	—	—	—	Z40109
	5.5L 340 V8		205192	205192	—	—	—	Z40109

Year	Engine		Notes	Muscle Car Radiator M / T      A / T		Hurricane Engine Driven Fan Shroud	SINGLE Fan Assembly Up to 390HP	DUAL Fan Assembly Up to 390HP	MAX Fan Assembly Over 390HP
<b>DODGE</b>									
<b>330 (CONT.)</b>									
1963	6.2L	383	V8	205191	205191	---	---	---	Z40109
	6.9L	426	V8	205191	205191	---	---	---	Z40109
<b>440</b>									
1964	5.2L	318	V8	205192	205192	---	---	---	Z40109
	5.5L	340	V8	205192	205192	---	---	---	Z40109
	6.2L	383	V8	205191	205191	---	---	---	Z40109
	6.9L	426	V8	205191	205191	---	---	---	Z40109
1963	5.2L	318	V8	205192	205192	---	---	---	Z40109
	5.5L	340	V8	205192	205192	---	---	---	Z40109
	6.2L	383	V8	205191	205191	---	---	---	Z40109
	6.9L	426	V8	205191	205191	---	---	---	Z40109
<b>CHALLENGER</b>									
1974	5.2L	318	V8	205070	205070	Z40031	---	Z40007	Z40093
	5.2L	318	V8	205192	205192	---	---	---	Z40109
	5.5L	340	V8	205192	205192	---	---	---	Z40109
	5.9L	360	V8	205070	205070	Z40031	---	Z40007	Z40093
	6.2L	383	V8	205191	205191	---	---	---	Z40109
	6.9L	426	V8	205191	205191	---	---	---	Z40109
1973	5.2L	318	V8	205070	205070	Z40031	---	Z40007	Z40093
	5.2L	318	V8	205192	205192	---	---	---	Z40109
	5.5L	340	V8	205192	205192	---	---	---	Z40109
	5.9L	360	V8	205070	205070	Z40031	---	Z40007	Z40093
	6.2L	383	V8	205191	205191	---	---	---	Z40109
	6.9L	426	V8	205191	205191	---	---	---	Z40109
1972	5.2L	318	V8	205070	205070	Z40031	---	Z40007	Z40093
	5.2L	318	V8	205192	205192	---	---	---	Z40109
	5.5L	340	V8	205192	205192	---	---	---	Z40109
	5.9L	360	V8	205070	205070	Z40031	---	Z40007	Z40093
	6.5L	400	V8	205071	205071	Z40031	---	Z40007	Z40093
	6.2L	383	V8	205191	205191	---	---	---	Z40109
	6.9L	426	V8	205191	205191	---	---	---	Z40109
	6.9L	426	V8	205191	205191	---	---	---	Z40109
1971	5.2L	318	V8	205070	205070	Z40031	---	Z40007	Z40093
	5.2L	318	V8	205192	205192	---	---	---	Z40109
	5.5L	340	V8	205192	205192	---	---	---	Z40109
	5.9L	360	V8	205070	205070	Z40031	---	Z40007	Z40093
	6.2L	383	V8	205071	205071	Z40031	---	Z40007	Z40093
	6.2L	383	V8	205191	205191	---	---	---	Z40109
	6.9L	426	V8	205071	205071	Z40031	---	Z40007	Z40093
	6.9L	426	V8	205191	205191	---	---	---	Z40109
1970	5.2L	318	V8	205070	205070	Z40031	---	Z40007	Z40093
	5.2L	318	V8	205192	205192	---	---	---	Z40109
	5.5L	340	V8	205192	205192	---	---	---	Z40109
	5.9L	360	V8	205070	205070	Z40031	---	Z40007	Z40093
	6.2L	383	V8	205071	205071	Z40031	---	Z40007	Z40093
	6.2L	383	V8	205191	205191	---	---	---	Z40109
	6.9L	426	V8	205071	205071	Z40031	---	Z40007	Z40093
	6.9L	426	V8	205191	205191	---	---	---	Z40109
<b>CHARGER</b>									
1978	5.2L	318	V8	205071	205071	Z40031	---	Z40007	Z40093
	5.2L	318	V8	205192	205192	---	---	---	Z40109
	5.5L	340	V8	205192	205192	---	---	---	Z40109
	5.9L	360	V8	205071	205071	Z40031	---	Z40007	Z40093
	6.2L	383	V8	205191	205191	---	---	---	Z40109
	6.6L	400	V8	205070	205070	Z40031	---	Z40007	Z40093
	6.9L	426	V8	205191	205191	---	---	---	Z40109

Year	Engine			Notes	Muscle Car M / T	Radiator A / T	Hurricane Engine Driven Fan Shroud	SINGLE Fan Assembly Up to 390HP	DUAL Fan Assembly Up to 390HP	MAX Fan Assembly Over 390HP
<b>DODGE</b>										
<b>CHARGER (CONT.)</b>										
1977	5.2L	318	V8		205071	205071	Z40031	—	Z40007	Z40093
	5.2L	318	V8		205192	205192	—	—	—	Z40109
	5.5L	340	V8		205192	205192	—	—	—	Z40109
	5.9L	360	V8		205071	205071	Z40031	—	Z40007	Z40093
	6.2L	383	V8		205191	205191	—	—	—	Z40109
	6.6L	400	V8		205070	205070	Z40031	—	Z40007	Z40093
	6.9L	426	V8		205191	205191	—	—	—	Z40109
	1976	5.2L	318	V8		205071	205071	Z40031	—	Z40007
5.9L		360	V8		205071	205071	Z40031	—	Z40007	Z40093
6.6L		400	V8		205070	205070	Z40031	—	Z40007	Z40093
5.2L		318	V8		205192	205192	—	—	—	Z40109
5.5L		340	V8		205192	205192	—	—	—	Z40109
6.2L		383	V8		205191	205191	—	—	—	Z40109
6.9L		426	V8		205191	205191	—	—	—	Z40109
1975		5.2L	318	V8		205192	205192	—	—	—
	5.5L	340	V8		205192	205192	—	—	—	Z40109
	6.2L	383	V8		205191	205191	—	—	—	Z40109
	6.9L	426	V8		205191	205191	—	—	—	Z40109
1974	5.2L	318	V8		205071	205071	Z40031	—	Z40007	Z40093
	5.2L	318	V8		205192	205192	—	—	—	Z40109
	5.5L	340	V8		205192	205192	—	—	—	Z40109
	5.9L	360	V8		205071	205071	Z40031	—	Z40007	Z40093
	6.2L	383	V8		205191	205191	—	—	—	Z40109
	6.6L	400	V8		205070	205070	Z40031	—	Z40007	Z40093
	6.9L	426	V8		205191	205191	—	—	—	Z40109
	1973	5.2L	318	V8		205070	205070	Z40031	—	Z40007
5.2L		318	V8		205192	205192	—	—	—	Z40109
5.5L		340	V8		205192	205192	—	—	—	Z40109
5.5L		340	V8		205070	205070	Z40031	—	Z40007	Z40093
6.2L		383	V8		205191	205191	—	—	—	Z40109
6.6L		400	V8		205070	205070	Z40031	—	Z40007	Z40093
6.6L		400	V8		205071	205071	Z40031	—	Z40007	Z40093
6.9L		426	V8		205191	205191	—	—	—	Z40109
1972	5.2L	318	V8		205070	205070	Z40031	—	Z40007	Z40093
	5.2L	318	V8		205192	205192	—	—	—	Z40109
	5.5L	340	V8		205070	205070	Z40031	—	Z40007	Z40093
	5.5L	340	V8		205192	205192	—	—	—	Z40109
	6.2L	383	V8		205191	205191	—	—	—	Z40109
	6.6L	400	V8		205071	205071	Z40031	—	Z40007	Z40093
	6.9L	426	V8		205191	205191	—	—	—	Z40109
	1971	5.2L	318	V8		205070	205070	Z40031	—	Z40007
5.2L		318	V8		205192	205192	—	—	—	Z40109
5.5L		340	V8		205192	205192	—	—	—	Z40109
5.5L		340	V8		205070	205070	Z40031	—	Z40007	Z40093
6.2L		383	V8		205071	205071	Z40031	—	Z40007	Z40093
6.2L		383	V8		205191	205191	—	—	—	Z40109
6.9L		426	V8		205071	205071	Z40031	—	Z40007	Z40093
6.9L		426	V8		205191	205191	—	—	—	Z4010
1970	5.2L	318	V8		205070	205070	Z40031	—	Z40007	Z40093
	5.2L	318	V8		205192	205192	—	—	—	Z40109
	5.5L	340	V8		205192	205192	—	—	—	Z40109
	5.5L	340	V8		205070	205070	Z40031	—	Z40007	Z40093
	6.2L	383	V8		205071	205071	Z40031	—	Z40007	Z40093
	6.2L	383	V8		205191	205191	—	—	—	Z40109

Year	Engine	Notes	Muscle Car Radiator M / T	Muscle Car Radiator A / T	Hurricane Engine Driven Fan Shroud	SINGLE Fan Assembly Up to 390HP	DUAL Fan Assembly Up to 390HP	MAX Fan Assembly Over 390HP
<b>DODGE</b>								
<b>CHARGER (CONT.)</b>								
1970	6.9L 426	V8	205071	205071	Z40031	-----	Z40007	Z40093
	6.9L 426	V8	205191	205191	-----	-----	-----	Z40109
1969		V8	205071	205071	Z40031	-----	Z40007	Z40093
	5.2L 318	V8	205192	205192	-----	-----	-----	Z40109
	5.5L 340	V8	205192	205192	-----	-----	-----	Z40109
	6.2L 383	V8	205191	205191	-----	-----	-----	Z40109
	6.9L 426	V8	205191	205191	-----	-----	-----	Z40109
		V8	205071	205071	Z40031	-----	Z40007	Z40093
1968		V8	205071	205071	Z40031	-----	Z40007	Z40093
	5.2L 318	V8	205192	205192	-----	-----	-----	Z40109
	5.5L 340	V8	205192	205192	-----	-----	-----	Z40109
	6.2L 383	V8	205191	205191	-----	-----	-----	Z40109
	6.9L 426	V8	205191	205191	-----	-----	-----	Z40109
		V8	205071	205071	Z40031	-----	Z40007	Z40093
1967		V8	205071	205071	Z40031	-----	Z40007	Z40093
	5.2L 318	V8	205192	205192	-----	-----	-----	Z40109
	5.5L 340	V8	205192	205192	-----	-----	-----	Z40109
	6.2L 383	V8	205191	205191	-----	-----	-----	Z40109
	6.9L 426	V8	205191	205191	-----	-----	-----	Z40109
		V8	205071	205071	Z40031	-----	Z40007	Z40093
1966		V8	205071	205071	Z40031	-----	Z40007	Z40093
	5.2L 318	V8	205192	205192	-----	-----	-----	Z40109
	5.5L 340	V8	205192	205192	-----	-----	-----	Z40109
	6.2L 383	V8	205191	205191	-----	-----	-----	Z40109
	6.9L 426	V8	205191	205191	-----	-----	-----	Z40109
		V8	205071	205071	Z40031	-----	Z40007	Z40093
<b>CORONET</b>								
1976	5.2L 318	V8	205071	205071	Z40031	-----	Z40007	Z40093
	5.2L 318	V8	205192	205192	-----	-----	-----	Z40109
	5.5L 340	V8	205192	205192	-----	-----	-----	Z40109
	5.9L 360	V8	205071	205071	Z40031	-----	Z40007	Z40093
	6.2L 383	V8	205191	205191	-----	-----	-----	Z40109
	6.5L 400	V8	205070	205070	Z40031	-----	Z40007	Z40093
	6.9L 426	V8	205191	205191	-----	-----	-----	Z40109
		V8	205071	205071	Z40031	-----	Z40007	Z40093
1975	5.2L 318	V8	205071	205071	Z40031	-----	Z40007	Z40093
	5.2L 318	V8	205192	205192	-----	-----	-----	Z40109
	5.5L 340	V8	205192	205192	-----	-----	-----	Z40109
	5.9L 360	V8	205071	205071	Z40031	-----	Z40007	Z40093
	6.2L 383	V8	205191	205191	-----	-----	-----	Z40109
	6.5L 400	V8	205070	205070	Z40031	-----	Z40007	Z40093
	6.9L 426	V8	205191	205191	-----	-----	-----	Z40109
		V8	205071	205071	Z40031	-----	Z40007	Z40093
1974	5.2L 318	V8	205070	205070	Z40031	-----	Z40007	Z40093
	5.2L 318	V8	205192	205192	-----	-----	-----	Z40109
	5.5L 340	V8	205192	205192	-----	-----	-----	Z40109
	5.9L 360	V8	205070	205070	Z40031	-----	Z40007	Z40093
	6.2L 383	V8	205191	205191	-----	-----	-----	Z40109
	6.5L 400	V8	205071	205071	Z40031	-----	Z40007	Z40093
	6.9L 426	V8	205191	205191	-----	-----	-----	Z40109
		V8	205071	205071	Z40031	-----	Z40007	Z40093
1973	5.2L 318	V8	205070	205070	Z40031	-----	Z40007	Z40093
	5.2L 318	V8	205192	205192	-----	-----	-----	Z40109
	5.5L 340	V8	205192	205192	-----	-----	-----	Z40109
	5.5L 340	V8	205070	205070	Z40031	-----	Z40007	Z40093
	6.2L 383	V8	205191	205191	-----	-----	-----	Z40109
	6.5L 400	V8	205071	205071	Z40031	-----	Z40007	Z40093
	6.9L 426	V8	205191	205191	-----	-----	-----	Z40109
		V8	205071	205071	Z40031	-----	Z40007	Z40093
1972	5.2L 318	V8	205070	205070	Z40031	-----	Z40007	Z40093
	5.2L 318	V8	205192	205192	-----	-----	-----	Z40109
	5.5L 340	V8	205192	205192	-----	-----	-----	Z40109
	5.5L 340	V8	205070	205070	Z40031	-----	Z40007	Z40093

Year	Engine			Notes	Muscle Car Radiator M / T	A / T	Hurricane Engine Driven Fan Shroud	SINGLE Fan Assembly Up to 390HP	DUAL Fan Assembly Up to 390HP	MAX Fan Assembly Over 390HP
<b>DODGE</b>										
<b>CORONET (CONT.)</b>										
1972	6.2L	383	V8		205191	205191	-----	-----	-----	Z40109
	6.5L	400	V8		205071	205071	Z40031	-----	Z40007	Z40093
	6.9L	426	V8		205191	205191	-----	-----	-----	Z40109
1971	5.2L	318	V8		205070	205070	Z40031	-----	Z40007	Z40093
	5.2L	318	V8		205192	205192	-----	-----	-----	Z40109
	5.5L	340	V8		205192	205192	-----	-----	-----	Z40109
	5.5L	340	V8		205070	205070	Z40031	-----	Z40007	Z40093
	6.2L	383	V8		205191	205191	-----	-----	-----	Z40109
	6.5L	400	V8		205071	205071	Z40031	-----	Z40007	Z40093
	6.9L	426	V8		205071	205071	Z40031	-----	Z40007	Z40093
	6.9L	426	V8		205191	205191	-----	-----	-----	Z40109
	6.9L	426	V8		205191	205191	-----	-----	-----	Z40109
1970	5.2L	318	V8		205070	205070	Z40031	-----	Z40007	Z40093
	5.2L	318	V8		205192	205192	-----	-----	-----	Z40109
	5.5L	340	V8		205192	205192	-----	-----	-----	Z40109
	5.5L	340	V8		205070	205070	Z40031	-----	Z40007	Z40093
	6.2L	383	V8		205191	205191	-----	-----	-----	Z40109
	6.5L	400	V8		205071	205071	Z40031	-----	Z40007	Z40093
	6.9L	426	V8		205071	205071	Z40031	-----	Z40007	Z40093
	6.9L	426	V8		205191	205191	-----	-----	-----	Z40109
	6.9L	426	V8		205191	205191	-----	-----	-----	Z40109
1969	5.2L	318	V8		205192	205192	-----	-----	-----	Z40109
	5.5L	340	V8		205192	205192	-----	-----	-----	Z40109
	6.2L	383	V8		205191	205191	-----	-----	-----	Z40109
	6.9L	426	V8		205191	205191	-----	-----	-----	Z40109
1968	5.2L	318	V8		205192	205192	-----	-----	-----	Z40109
	5.5L	340	V8		205192	205192	-----	-----	-----	Z40109
	6.2L	383	V8		205191	205191	-----	-----	-----	Z40109
	6.9L	426	V8		205191	205191	-----	-----	-----	Z40109
1967	5.2L	318	V8		205192	205192	-----	-----	-----	Z40109
	5.5L	340	V8		205192	205192	-----	-----	-----	Z40109
	6.2L	383	V8		205191	205191	-----	-----	-----	Z40109
	6.9L	426	V8		205191	205191	-----	-----	-----	Z40109
1966	5.2L	318	V8		205192	205192	-----	-----	-----	Z40109
	5.5L	340	V8		205192	205192	-----	-----	-----	Z40109
	6.2L	383	V8		205191	205191	-----	-----	-----	Z40109
	6.9L	426	V8		205191	205191	-----	-----	-----	Z40109
1965	5.2L	318	V8		205192	205192	-----	-----	-----	Z40109
	5.5L	340	V8		205192	205192	-----	-----	-----	Z40109
	6.2L	383	V8		205191	205191	-----	-----	-----	Z40109
	6.9L	426	V8		205191	205191	-----	-----	-----	Z40109
<b>D/W SERIES PICKUP</b>										
1993	3.9L	239	L6	PASSENGER SIDE OUTLET	205070	205070	Z40031	-----	Z40007	Z40093
	5.2L	318	V8	PASSENGER SIDE OUTLET	205070	205070	Z40031	-----	Z40007	Z40093
	5.9L	360	V8	GAS ONLY; ORIGINAL CORE 17 1/2"	205070	205070	Z40031	-----	Z40007	Z40093
1992	3.9L	239	L6	PASSENGER SIDE OUTLET	205070	205070	Z40031	-----	Z40007	Z40093
	5.2L	318	V8	PASSENGER SIDE OUTLET	205070	205070	Z40031	-----	Z40007	Z40093
	5.9L	360	V8	GAS ONLY; ORIGINAL CORE 17 1/2"	205070	205070	Z40031	-----	Z40007	Z40093
1991	5.2L	318	V8	PASSENGER SIDE OUTLET	205070	205070	Z40031	-----	Z40007	Z40093
	5.9L	360	V8	GAS ONLY; ORIGINAL CORE 17 1/2"	205070	205070	Z40031	-----	Z40007	Z40093
1990	5.2L	318	V8	PASSENGER SIDE OUTLET	205070	205070	Z40031	-----	Z40007	Z4009
	5.9L	360	V8	GAS ONLY; ORIGINAL CORE 17 1/2"	205070	205070	Z40031	-----	Z40007	Z40093
1989	4.1L	250	V6	PASSENGER SIDE OUTLET	205070	205070	Z40031	-----	Z40007	Z40093
	5.2L	318	V8	PASSENGER SIDE OUTLET	205070	205070	Z40031	-----	Z40007	Z40093
	5.9L	360	V8	GAS ONLY; ORIGINAL CORE 17 1/2"	205070	205070	Z40031	-----	Z40007	Z40093
1988	4.1L	250	V6	PASSENGER SIDE OUTLET	205070	205070	Z40031	-----	Z40007	Z40093
	5.2L	318	V8	PASSENGER SIDE OUTLET	205070	205070	Z40031	-----	Z40007	Z40093

Year	Engine		Notes	Muscle Car Radiator M / T      A / T		Hurricane Engine Driven Fan Shroud	SINGLE Fan Assembly Up to 390HP	DUAL Fan Assembly Up to 390HP	MAX Fan Assembly Over 390HP	
<b>DODGE</b>										
<b>D/W SERIES PICKUP (CONT.)</b>										
1988	5.9L	360	V8	PASSENGER SIDE OUTLET	205070	205070	Z40031	---	Z40007	Z40093
1987	5.2L	318	V8	PASSENGER SIDE OUTLET	205070	205070	Z40031	---	Z40007	Z40093
	5.9L	360	V8	PASSENGER SIDE OUTLET	205070	205070	Z40031	---	Z40007	Z40093
1986	5.2L	318	V8	PASSENGER SIDE OUTLET	205070	205070	Z40031	---	Z40007	Z40093
	5.9L	360	V8	PASSENGER SIDE OUTLET	205070	205070	Z40031	---	Z40007	Z40093
1985	5.2L	318	V8	PASSENGER SIDE OUTLET	205070	205070	Z40031	---	Z40007	Z40093
	5.9L	360	V8	PASSENGER SIDE OUTLET	205070	205070	Z40031	---	Z40007	Z40093
1984	5.2L	318	V8	PASSENGER SIDE OUTLET	205070	205070	Z40031	---	Z40007	Z40093
	5.9L	360	V8	PASSENGER SIDE OUTLET	205070	205070	Z40031	---	Z40007	Z40093
1983	5.2L	318	V8	PASSENGER SIDE OUTLET	205070	205070	Z40031	---	Z40007	Z40093
	5.9L	360	V8	PASSENGER SIDE OUTLET	205070	205070	Z40031	---	Z40007	Z40093
1982	5.2L	318	V8	PASSENGER SIDE OUTLET	205070	205070	Z40031	---	Z40007	Z40093
	5.9L	360	V8	PASSENGER SIDE OUTLET	205070	205070	Z40031	---	Z40007	Z40093
1981	5.2L	318	V8	PASSENGER SIDE OUTLET	205070	205070	Z40031	---	Z40007	Z40093
	5.9L	360	V8	PASSENGER SIDE OUTLET	205070	205070	Z40031	---	Z40007	Z40093
1980	5.2L	318	V8	PASSENGER SIDE OUTLET	205070	205070	Z40031	---	Z40007	Z40093
	5.9L	360	V8	PASSENGER SIDE OUTLET	205070	205070	Z40031	---	Z40007	Z40093
1979	5.2L	318	V8	PASSENGER SIDE OUTLET	205070	205070	Z40031	---	Z40007	Z40093
	5.9L	360	V8	PASSENGER SIDE OUTLET	205070	205070	Z40031	---	Z40007	Z40093
1978	5.2L	318	V8	PASSENGER SIDE OUTLET	205070	205070	Z40031	---	Z40007	Z40093
	5.9L	360	V8	PASSENGER SIDE OUTLET	205070	205070	Z40031	---	Z40007	Z40093
1977	5.2L	318	V8	PASSENGER SIDE OUTLET	205070	205070	Z40031	---	Z40007	Z40093
	5.9L	360	V8	PASSENGER SIDE OUTLET	205070	205070	Z40031	---	Z40007	Z40093
1976	5.2L	318	V8	PASSENGER SIDE OUTLET	205070	205070	Z40031	---	Z40007	Z40093
	5.9L	360	V8	PASSENGER SIDE OUTLET	205070	205070	Z40031	---	Z40007	Z40093
1975	5.2L	318	V8	PASSENGER SIDE OUTLET	205070	205070	Z40031	---	Z40007	Z40093
	5.9L	360	V8	PASSENGER SIDE OUTLET	205070	205070	Z40031	---	Z40007	Z40093
1974	5.2L	318	V8	PASSENGER SIDE OUTLET	205070	205070	Z40031	---	Z40007	Z40093
	5.9L	360	V8	PASSENGER SIDE OUTLET	205070	205070	Z40031	---	Z40007	Z40093
1973	5.2L	318	V8	PASSENGER SIDE OUTLET	205070	205070	Z40031	---	Z40007	Z40093
	5.9L	360	V8	PASSENGER SIDE OUTLET	205070	205070	Z40031	---	Z40007	Z40093
1972	5.2L	318	V8	PASSENGER SIDE OUTLET	205070	205070	Z40031	---	Z40007	Z40093
	5.9L	360	V8	PASSENGER SIDE OUTLET	205070	205070	Z40031	---	Z40007	Z40093
<b>DART</b>										
1976	5.2L	318	V8		205198	205198	---	Z40107	Z40112	-----
	5.5L	340	V8		205198	205198	---	Z40107	Z40112	-----
	5.7L			HEMI	205199	205199	---	Z40107	Z40112	-----
	6.2L	383	V8		205197	205197	---	Z40107	Z40112	-----
	7.2L	440	V8		205197	205197	---	Z40107	Z40112	-----
1975	5.2L	318	V8		205198	205198	---	Z40107	Z40112	-----
	5.5L	340	V8		205198	205198	---	Z40107	Z40112	-----
	5.7L			HEMI	205199	205199	---	Z40107	Z40112	-----
	6.2L	383	V8		205197	205197	---	Z40107	Z40112	-----
	7.2L	440	V8		205197	205197	---	Z40107	Z40112	-----
1974	5.2L	318	V8		205198	205198	---	Z40107	Z40112	-----
	5.5L	340	V8		205198	205198	---	Z40107	Z40112	-----
	5.7L			HEMI	205199	205199	---	Z40107	Z40112	-----
	6.2L	383	V8		205197	205197	---	Z40107	Z40112	-----
	7.2L	440	V8		205197	205197	---	Z40107	Z40112	-----
1973	3.2L	196	L6		205071	205071	Z40031	---	Z40007	Z40093
	3.7L	225	L6		205071	205071	Z40031	---	Z40007	Z40093
	5.2L	318	V8		205198	205198	Z40107	Z40112	-----	
	5.5L	340	V8		205198	205198	---	Z40107	Z40112	-----
	5.7L			HEMI	205199	205199	---	Z40107	Z40112	-----
	6.2L	383	V8		205197	205197	---	Z40107	Z40112	-----

Year	Engine			Notes	Muscle Car Radiator M / T	A / T	Hurricane Engine Driven Fan Shroud	SINGLE Fan Assembly Up to 390HP	DUAL Fan Assembly Up to 390HP	MAX Fan Assembly Over 390HP
<b>DODGE</b>										
<b>DART (CONT.)</b>										
1973	7.4L	440	V8		205197	205197	—	Z40107	Z40112	—
1972	3.2L	196	L6		205071	205071	Z40031	—	Z40007	Z40093
	3.7L	225	L6		205071	205071	Z40031	—	Z40007	Z40093
	5.2L	318	V8		205070	205070	Z40031	—	Z40007	Z40093
	5.2L	318	V8		205198	205198	—	Z40107	Z40112	—
	5.5L	340	V8		205198	205198	—	Z40107	Z40112	—
	5.5L	340	V8		205070	205070	Z40031	—	Z40007	Z40093
	5.7L			HEMI	205199	205199	—	Z40107	Z40112	—
	6.2L	383	V8		205197	205197	—	Z40107	Z40112	—
	7.2L	440	V8		205197	205197	—	Z40107	Z40112	—
	1971	3.2L	196	L6		205071	205071	Z40031	—	Z40007
3.7L		225	L6		205071	205071	Z40031	—	Z40007	Z40093
5.2L		318	V8		205070	205070	Z40031	—	Z40007	Z40093
5.2L		318	V8		205198	205198	—	Z40107	Z40112	—
5.5L		340	V8		205198	205198	—	Z40107	Z40112	—
5.5L		340	V8		205070	205070	Z40031	—	Z40007	Z40093
5.7L				HEMI	205199	205199	—	Z40107	Z40112	—
6.2L		383	V8		205197	205197	—	Z40107	Z40112	—
7.2L		440	V8		205197	205197	—	Z40107	Z40112	—
1970		3.2L	196	L6		205071	205071	Z40031	—	Z40007
	3.7L	225	L6		205071	205071	Z40031	—	Z40007	Z40093
	5.2L	318	V8		205070	205070	Z40031	—	Z40007	Z40093
	5.2L	318	V8		205198	205198	—	Z40107	Z40112	—
	5.5L	340	V8		205198	205198	—	Z40107	Z40112	—
	5.5L	340	V8		205070	205070	Z40031	—	Z40007	Z40093
	5.7L			HEMI	205199	205199	—	Z40107	Z40112	—
	6.2L	383	V8		205197	205197	—	Z40107	Z40112	—
	7.2L	440	V8		205197	205197	—	Z40107	Z40112	—
	1969			V8	w/BIG or SMALL BLOCK	205070	205070	Z40031	—	Z40007
			V8	w/BIG or SMALL BLOCK	205071	205071	Z40031	—	Z40007	Z40093
2.8L		170	L6		205071	205071	Z40031	—	Z40007	Z40093
3.7L		225	L6		205071	205071	Z40031	—	Z40007	Z40093
5.2L		318	V8		205198	205198	—	Z40107	Z40112	—
5.5L		340	V8		205198	205198	—	Z40107	Z40112	—
5.7L				HEMI	205199	205199	—	Z40107	Z40112	—
6.2L		383	V8		205197	205197	—	Z40107	Z40112	—
7.2L		440	V8		205197	205197	—	Z40107	Z40112	—
1968				V8	w/BIG or SMALL BLOCK	205070	205070	Z40031	—	Z40007
			V8	w/BIG or SMALL BLOCK	205071	205071	Z40031	—	Z40007	Z40093
	5.2L	318	V8		205198	205198	—	Z40107	Z40112	—
	5.5L	340	V8		205198	205198	—	Z40107	Z40112	—
	5.7L			HEMI	205199	205199	—	Z40107	Z40112	—
	6.2L	383	V8		205197	205197	—	Z40107	Z40112	—
	7.2L	440	V8		205197	205197	—	Z40107	Z40112	—
	1967			V8	w/BIG or SMALL BLOCK	205070	205070	Z40031	—	Z40007
			V8	w/BIG or SMALL BLOCK	205071	205071	Z40031	—	Z40007	Z40093
5.2L		318	V8		205198	205198	—	Z40107	Z40112	—
5.5L		340	V8		205198	205198	—	Z40107	Z40112	—
5.7L				HEMI	205199	205199	—	Z40107	Z40112	—
6.2L		383	V8		205197	205197	—	Z40107	Z40112	—
7.2L		440	V8		205197	205197	—	Z40107	Z40112	—
1966		5.2L	318	V8		205198	205198	—	Z40107	Z40112
	5.5L	340	V8		205198	205198	—	Z40107	Z40112	—
	5.7L			HEMI	205199	205199	—	Z40107	Z40112	—
	6.2L	383	V8		205197	205197	—	Z40107	Z40112	—
	7.2L	440	V8		205197	205197	—	Z40107	Z40112	—

Year	Engine		Notes	Muscle Car Radiator M / T      A / T		Hurricane Engine Driven Fan Shroud	SINGLE Fan Assembly Up to 390HP	DUAL Fan Assembly Up to 390HP	MAX Fan Assembly Over 390HP	
<b>DODGE</b>										
<b>DART (CONT.)</b>										
1965	5.2L	318	V8		205198	205198	-----	Z40107	Z40112	-----
	5.5L	340	V8		205198	205198	-----	Z40107	Z40112	-----
	5.7L			HEMI	205199	205199	-----	Z40107	Z40112	-----
	6.2L	383	V8		205197	205197	-----	Z40107	Z40112	-----
	7.2L	440	V8		205197	205197	-----	Z40107	Z40112	-----
1964	5.2L	318	V8		205198	205198	-----	Z40107	Z40112	-----
	5.5L	340	V8		205198	205198	-----	Z40107	Z40112	-----
	5.7L			HEMI	205199	205199	-----	Z40107	Z40112	-----
	6.2L	383	V8		205197	205197	-----	Z40107	Z40112	-----
	7.2L	440	V8		205197	205197	-----	Z40107	Z40112	-----
1963	5.2L	318	V8		205198	205198	-----	Z40107	Z40112	-----
	5.5L	340	V8		205198	205198	-----	Z40107	Z40112	-----
	5.7L			HEMI	205199	205199	-----	Z40107	Z40112	-----
	6.2L	383	V8		205197	205197	-----	Z40107	Z40112	-----
	7.2L	440	V8		205197	205197	-----	Z40107	Z40112	-----
<b>DART SPORT</b>										
1976	5.2L	318	V8		205198	205198	-----	Z40107	Z40112	-----
	5.2L	340	V8		205198	205198	-----	Z40107	Z40112	-----
	5.7L			HEMI	205199	205199	-----	Z40107	Z40112	-----
	6.2L	383	V8		205197	205197	-----	Z40107	Z40112	-----
	7.2L	440	V8		205197	205197	-----	Z40107	Z40112	-----
1975	5.2L	318	V8		205198	205198	-----	Z40107	Z40112	-----
	5.5L	340	V8		205198	205198	-----	Z40107	Z40112	-----
	5.7L			HEMI	205199	205199	-----	Z40107	Z40112	-----
	6.2L	383	V8		205197	205197	-----	Z40107	Z40112	-----
	7.2L	440	V8		205197	205197	-----	Z40107	Z40112	-----
1974	5.2L	318	V8		205198	205198	-----	Z40107	Z40112	-----
	5.5L	340	V8		205198	205198	-----	Z40107	Z40112	-----
	5.7L			HEMI	205199	205199	-----	Z40107	Z40112	-----
	6.2L	383	V8		205197	205197	-----	Z40107	Z40112	-----
	7.2L	440	V8		205197	205197	-----	Z40107	Z40112	-----
1973	5.2L	318	V8		205198	205198	-----	Z40107	Z40112	-----
	5.5L	340	V8		205198	205198	-----	Z40107	Z40112	-----
	5.7L			HEMI	205199	205199	-----	Z40107	Z40112	-----
	6.2L	383	V8		205197	205197	-----	Z40107	Z40112	-----
	7.2L	440	V8		205197	205197	-----	Z40107	Z40112	-----
<b>DEMON</b>										
1976	5.2L	318	V8		205070	205070	Z40031	-----	Z40007	Z40093
	5.2L	318	V8		205198	205198	-----	Z40107	Z40112	-----
	5.5L	340	V8		205198	205198	-----	Z40107	Z40112	-----
	5.7L			HEMI	205199	205199	-----	Z40107	Z40112	-----
	5.9L	360	V8		205070	205070	Z40031	-----	Z40007	Z40093
	6.2L	383	V8		205197	205197	-----	Z40107	Z40112	-----
	7.2L	440	V8		205197	205197	-----	Z40107	Z40112	-----
1975	5.2L	318	V8		205070	205070	Z40031	-----	Z40007	Z40093
	5.2L	318	V8		205198	205198	-----	Z40107	Z40112	-----
	5.5L	340	V8		205198	205198	-----	Z40107	Z40112	-----
	5.7L			HEMI	205199	205199	-----	Z40107	Z40112	-----
	5.9L	360	V8		205070	205070	Z40031	-----	Z40007	Z40093
	6.2L	383	V8		205197	205197	-----	Z40107	Z40112	-----
	7.2L	440	V8		205197	205197	-----	Z40107	Z40112	-----
1974	5.2L	318	V8		205070	205070	Z40031	-----	Z40007	Z40093
	5.2L	318	V8		205198	205198	-----	Z40107	Z40112	-----
	5.5L	340	V8		205198	205198	-----	Z40107	Z40112	-----
	5.7L			HEMI	205199	205199	-----	Z40107	Z40112	-----
	5.9L	360	V8		205070	205070	Z40031	-----	Z40007	Z40093
	6.2L	383	V8		205197	205197	-----	Z40107	Z40112	-----
	7.2L	440	V8		205197	205197	-----	Z40107	Z40112	-----

Year	Engine			Notes	Muscle Car Radiator M / T	A / T	Hurricane Engine Driven Fan Shroud	SINGLE Fan Assembly Up to 390HP	DUAL Fan Assembly Up to 390HP	MAX Fan Assembly Over 390HP
<b>DODGE</b>										
<b>DEMON (CONT.)</b>										
1973	3.2L	198	L6		205071	205071	Z40031	-----	Z40007	Z40093
	3.7L	225	L6		205071	205071	Z40031	-----	Z40007	Z40093
	5.2L	318	V8		205070	205070	Z40031	-----	Z40007	Z40093
	5.5L	340	V8		205070	205070	Z40031	-----	Z40007	Z40093
	5.2L	318	V8		205198	205198	-----	Z40107	Z40112	-----
	5.5L	340	V8		205198	205198	-----	Z40107	Z40112	-----
	5.7L			HEMI	205199	205199	-----	Z40107	Z40112	-----
	6.2L	383	V8		205197	205197	-----	Z40107	Z40112	-----
	7.2L	440	V8		205197	205197	-----	Z40107	Z40112	-----
	1972	3.2L	198	L6		205071	205071	Z40031	-----	Z40007
3.7L		225	L6		205071	205071	Z40031	-----	Z40007	Z40093
5.2L		318	V8		205070	205070	Z40031	-----	Z40007	Z40093
5.2L		318	V8		205198	205198	-----	Z40107	Z40112	-----
5.5L		340	V8		205198	205198	-----	Z40107	Z40112	-----
5.5L		340	V8		205070	205070	Z40031	-----	Z40007	Z40093
5.7L				HEMI	205199	205199	-----	Z40107	Z40112	-----
6.2L		383	V8		205197	205197	-----	Z40107	Z40112	-----
7.2L		440	V8		205197	205197	-----	Z40107	Z40112	-----
1971		3.2L	198	L6		205071	205071	Z40031	-----	Z40007
	3.7L	225	L6		205071	205071	Z40031	-----	Z40007	Z40093
	5.2L	318	V8		205070	205070	Z40031	-----	Z40007	Z40093
	5.2L	318	V8		205198	205198	-----	Z40107	Z40112	-----
	5.5L	340	V8		205198	205198	-----	Z40107	Z40112	-----
	5.5L	340	V8		205070	205070	Z40031	-----	Z40007	Z40093
	5.7L			HEMI	205199	205199	-----	Z40107	Z40112	-----
	6.2L	383	V8		205197	205197	-----	Z40107	Z40112	-----
	7.2L	440	V8		205197	205197	-----	Z40107	Z40112	-----
	1970	3.2L	198	L6		205071	205071	Z40031	-----	Z40007
3.7L		225	L6		205071	205071	Z40031	-----	Z40007	Z40093
5.2L		318	V8		205070	205070	Z40031	-----	Z40007	Z40093
5.2L		318	V8		205198	205198	-----	Z40107	Z40112	-----
5.5L		340	V8		205198	205198	-----	Z40107	Z40112	-----
5.5L		340	V8		205070	205070	Z40031	-----	Z40007	Z40093
5.7L				HEMI	205199	205199	-----	Z40107	Z40112	-----
6.2L		383	V8		205197	205197	-----	Z40107	Z40112	-----
7.2L		440	V8		205197	205197	-----	Z40107	Z40112	-----
<b>LANCER</b>										
1962	5.2L	318	V8		205198	205198	-----	Z40107	Z40112	-----
	5.5L	340	V8		205198	205198	-----	Z40107	Z40112	-----
	5.7L			HEMI	205199	205199	-----	Z40107	Z40112	-----
	6.2L	383	V8		205197	205197	-----	Z40107	Z40112	-----
	7.2L	440	V8		205197	205197	-----	Z40107	Z40112	-----
1961	5.2L	318	V8		205198	205198	-----	Z40107	Z40112	-----
	5.5L	340	V8		205198	205198	-----	Z40107	Z40112	-----
	5.7L			HEMI	205199	205199	-----	Z40107	Z40112	-----
	6.2L	383	V8		205197	205197	-----	Z40107	Z40112	-----
	7.2L	440	V8		205197	205197	-----	Z40107	Z40112	-----
<b>MAGNUM</b>										
1979	5.2L	318	V8		205071	205071	Z40031	-----	Z40007	Z40093
	5.2L	318	V8		205192	205192	-----	-----	-----	Z40109
	5.5L	340	V8		205192	205192	-----	-----	-----	Z40109
	5.9L	360	V8		205071	205071	Z40031	-----	Z40007	Z4009
	6.2L	383	V8		205191	205191	-----	-----	-----	Z40109
	6.9L	426	V8		205191	205191	-----	-----	-----	Z40109
1978	5.2L	318	V8		205071	205071	Z40031	-----	Z40007	Z40093
	5.2L	318	V8		205192	205192	-----	-----	-----	Z40109
	5.5L	340	V8		205192	205192	-----	-----	-----	Z40109
	5.9L	360	V8		205071	205071	Z40031	-----	Z40007	Z40093

Year	Engine	Notes	Muscle Car Radiator M / T	A / T	Hurricane Engine Driven Fan Shroud	SINGLE Fan Assembly Up to 390HP	DUAL Fan Assembly Up to 390HP	MAX Fan Assembly Over 390HP
<b>DODGE</b>								
<b>MAGNUM (CONT.)</b>								
1978	6.2L 383 V8		205191	205191	-----	-----	-----	Z40109
	6.6L 400 V8		205070	205070	Z40031	-----	Z40007	Z40093
	6.9L 426 V8		205191	205191	-----	-----	-----	Z40109
1977	5.2L 318 V8		205071	205071	Z40031	-----	Z40007	Z40093
	5.9L 360 V8		205071	205071	Z40031	-----	Z40007	Z40093
	6.5L 400 V8		205070	205070	Z40031	-----	Z40007	Z40093
1976	5.2L 318 V8		205070	205070	Z40031	-----	Z40007	Z40093
	5.9L 360 V8		205070	205070	Z40031	-----	Z40007	Z40093
	6.5L 400 V8		205071	205071	Z40031	-----	Z40007	Z40093
1975	5.9L 360 V8		205070	205070	Z40031	-----	Z40007	Z40093
	6.5L 400 V8		205071	205071	Z40031	-----	Z40007	Z40093
1974	5.9L 360 V8		205070	205070	Z40031	-----	Z40007	Z40093
	6.5L 400 V8		205071	205071	Z40031	-----	Z40007	Z40093
1973	5.2L 318 V8		205070	205070	Z40031	-----	Z40007	Z40093
	5.9L 360 V8		205070	205070	Z40031	-----	Z40007	Z40093
1972	5.2L 318 V8		205070	205070	Z40031	-----	Z40007	Z40093
	5.9L 360 V8		205070	205070	Z40031	-----	Z40007	Z40093
1971	5.2L 318 V8		205070	205070	Z40031	-----	Z40007	Z40093
	5.9L 360 V8		205070	205070	Z40031	-----	Z40007	Z40093
<b>POLARA</b>								
1972	5.2L 318 V8		205070	205070	Z40031	-----	Z40007	Z40093
	5.9L 360 V8		205070	205070	Z40031	-----	Z40007	Z40093
1971	3.7L 225 L6		205071	205071	Z40031	-----	Z40007	Z40093
	5.2L 318 V8		205070	205070	Z40031	-----	Z40007	Z40093
	5.9L 360 V8		205070	205070	Z40031	-----	Z40007	Z40093
	3.7L 225 L6		205071	205071	Z40031	-----	Z40007	Z40093
1970	5.2L 318 V8		205070	205070	Z40031	-----	Z40007	Z40093
	5.9L 360 V8		205070	205070	Z40031	-----	Z40007	Z40093
1969	5.2L 318 V8		205070	205070	Z40031	-----	Z40007	Z40093
1968	3.7L 225 L6		205071	205071	Z40031	-----	Z40007	Z40093
	5.2L 318 V8		205070	205070	Z40031	-----	Z40007	Z40093
1967	3.7L 225 L6		205071	205071	Z40031	-----	Z40007	Z40093
	5.2L 318 V8		205070	205070	Z40031	-----	Z40007	Z40093
1966	3.7L 225 L6		205071	205071	Z40031	-----	Z40007	Z40093
	5.2L 318 V8		205070	205070	Z40031	-----	Z40007	Z40093
1965	3.7L 225 L6		205071	205071	Z40031	-----	Z40007	Z40093
	5.2L 318 V8		205070	205070	Z40031	-----	Z40007	Z40093
1964	5.2L 318 V8		205192	205192	-----	-----	-----	Z40109
	5.5L 340 V8		205192	205192	-----	-----	-----	Z40109
	6.2L 383 V8		205191	205191	-----	-----	-----	Z40109
	6.9L 426 V8		205191	205191	-----	-----	-----	Z40109
1963	5.2L 318 V8		205192	205192	-----	-----	-----	Z40109
	5.5L 340 V8		205192	205192	-----	-----	-----	Z40109
	6.2L 383 V8		205191	205191	-----	-----	-----	Z40109
	6.9L 426 V8		205191	205191	-----	-----	-----	Z40109
1962	5.2L 318 V8		205192	205192	-----	-----	-----	Z40109
	5.5L 340 V8		205192	205192	-----	-----	-----	Z40109
	6.2L 383 V8		205191	205191	-----	-----	-----	Z40109
	6.9L 426 V8		205191	205191	-----	-----	-----	Z40109
<b>ROYAL MONACO</b>								
1978	5.2L 318 V8		205192	205192	-----	-----	-----	Z40109
	5.5L 340 V8		205192	205192	-----	-----	-----	Z40109
	6.2L 383 V8		205191	205191	-----	-----	-----	Z40109
	6.9L 426 V8		205191	205191	-----	-----	-----	Z40109
1977	5.2L 318 V8		205070	205070	Z40031	-----	Z40007	Z40093
	5.2L 318 V8		205192	205192	-----	-----	-----	Z40109
	5.5L 340 V8		205192	205192	-----	-----	-----	Z40109
	5.9L 360 V8		205070	205070	Z40031	-----	Z40007	Z40093
	6.2L 383 V8		205191	205191	-----	-----	-----	Z40109

Year	Engine		Notes	Muscle Car M / T	Radiator A / T	Hurricane Engine Driven Fan Shroud	SINGLE Fan Assembly Up to 390HP	DUAL Fan Assembly Up to 390HP	MAX Fan Assembly Over 390HP
<b>DODGE</b>									
<b>ROYAL MONACO (CONT.)</b>									
1977	6.5L	400	V8	205071	205071	Z40031	-----	Z40007	Z40093
	6.9L	426	V8	205191	205191	-----	-----	-----	Z40109
1976	5.2L	318	V8	205070	205070	Z40031	-----	Z40007	Z40093
	5.9L	360	V8	205070	205070	Z40031	-----	Z40007	Z40093
	6.5L	400	V8	205071	205071	Z40031	-----	Z40007	Z40093
1975	5.2L	318	V8	205070	205070	Z40031	-----	Z40007	Z40093
	5.9L	360	V8	205070	205070	Z40031	-----	Z40007	Z40093
	6.5L	400	V8	205071	205071	Z40031	-----	Z40007	Z40093
<b>SUPER BEE</b>									
1975	5.2L	318	V8	205192	205192	-----	-----	-----	Z40109
	5.5L	340	V8	205192	205192	-----	-----	-----	Z40109
	6.2L	383	V8	205191	205191	-----	-----	-----	Z40109
	6.9L	426	V8	205191	205191	-----	-----	-----	Z40109
1974	5.2L	318	V8	205070	205070	Z40031	-----	Z40007	Z40093
	5.2L	318	V8	205192	205192	-----	-----	-----	Z40109
	5.5L	340	V8	205192	205192	-----	-----	-----	Z40109
	5.9L	360	V8	205070	205070	Z40031	-----	Z40007	Z40093
	6.2L	383	V8	205191	205191	-----	-----	-----	Z40109
	6.9L	426	V8	205191	205191	-----	-----	-----	Z40109
	7.2L	440	V8	205070	205070	Z40031	-----	Z40007	Z40093
	7.2L	440	V8	205070	205070	Z40031	-----	Z40007	Z40093
1973	5.2L	318	V8	205070	205070	Z40031	-----	Z40007	Z40093
	5.2L	318	V8	205192	205192	-----	-----	-----	Z40109
	5.5L	340	V8	205192	205192	-----	-----	-----	Z40109
	6.2L	383	V8	205191	205191	-----	-----	-----	Z40109
	6.9L	426	V8	205191	205191	-----	-----	-----	Z40109
	7.2L	440	V8	205070	205070	Z40031	-----	Z40007	Z40093
	7.2L	440	V8	205070	205070	Z40031	-----	Z40007	Z40093
1972	5.2L	318	V8	205070	205070	Z40031	-----	Z40007	Z40093
	5.2L	318	V8	205192	205192	-----	-----	-----	Z40109
	5.5L	340	V8	205192	205192	-----	-----	-----	Z40109
	6.2L	383	V8	205191	205191	-----	-----	-----	Z40109
	6.9L	426	V8	205191	205191	-----	-----	-----	Z40109
	7.2L	440	V8	205070	205070	Z40031	-----	Z40007	Z40093
1971	5.2L	318	V8	205192	205192	-----	-----	-----	Z40109
	5.5L	340	V8	205192	205192	-----	-----	-----	Z40109
	6.2L	383	V8	205191	205191	-----	-----	-----	Z40109
	6.9L	426	V8	205191	205191	-----	-----	-----	Z40109
1970	5.2L	318	V8	205192	205192	-----	-----	-----	Z40109
	5.5L	340	V8	205192	205192	-----	-----	-----	Z40109
	6.2L	383	V8	205191	205191	-----	-----	-----	Z40109
	6.9L	426	V8	205191	205191	-----	-----	-----	Z40109
1969	5.2L	318	V8	205192	205192	-----	-----	-----	Z40109
	5.5L	340	V8	205192	205192	-----	-----	-----	Z40109
	6.2L	383	V8	205191	205191	-----	-----	-----	Z40109
	6.9L	426	V8	205191	205191	-----	-----	-----	Z40109
1968	5.2L	318	V8	205192	205192	-----	-----	-----	Z40109
	5.5L	340	V8	205192	205192	-----	-----	-----	Z40109
	6.2L	383	V8	205191	205191	-----	-----	-----	Z40109
	6.9L	426	V8	205191	205191	-----	-----	-----	Z40109
<b>FORD</b>									
<b>FORD</b>									
1953		V8	CAR W/FLATHEAD ENGINE	205211	205211	-----	-----	-----	-----
1952		V8	CAR W/FLATHEAD ENGINE	205211	205211	-----	-----	-----	-----
		V8	PICK-UP W/FLATHEAD ENGINE	205212	205212	-----	-----	-----	-----
1951		V8	CAR W/FLATHEAD ENGINE	205211	205211	-----	-----	-----	-----
		V8	PICK-UP W/FLATHEAD ENGINE	205212	205212	-----	-----	-----	-----
1950		V8	CAR W/FLATHEAD ENGINE	205211	205211	-----	-----	-----	-----
		V8	PICK-UP W/FLATHEAD ENGINE	205212	205212	-----	-----	-----	-----

Year	Engine		Notes	Muscle Car Radiator M / T      A / T		Hurricane Engine Driven Fan Shroud	SINGLE Fan Assembly Up to 390HP	DUAL Fan Assembly Up to 390HP	MAX Fan Assembly Over 390HP
<b>FORD</b>									
<b>FORD (CONT.)</b>									
1949		V8	CAR W/FLATHEAD ENGINE	205211	205211	---	---	---	---
		V8	PICK-UP W/FLATHEAD ENGINE	205212	205212	---	---	---	---
1948		V8	PICK-UP W/FLATHEAD ENGINE	205212	205212	---	---	---	---
1947		V8	PICK-UP W/FLATHEAD ENGINE	205212	205212	---	---	---	---
1946		V8	PICK-UP W/FLATHEAD ENGINE	205212	205212	---	---	---	---
1945		V8	PICK-UP W/FLATHEAD ENGINE	205212	205212	---	---	---	---
1944		V8	PICK-UP W/FLATHEAD ENGINE	205212	205212	---	---	---	---
1943		V8	PICK-UP W/FLATHEAD ENGINE	205212	205212	---	---	---	---
1942		V8	PICK-UP W/FLATHEAD ENGINE	205212	205212	---	---	---	---
1934			HOTROD	205175	205175	---	---	---	---
1933			HOTROD	205175	205175	---	---	---	---
1932			HOTROD	205176	205176	Z40028	---	Z40103	---
<b>DELUXE</b>									
1940		V8		205187	205187	Z40031	---	Z40066	Z40095
<b>FAIRLANE</b>									
1970	5.7L	351	V8	205063	205063	Z40023	---	Z40070	Z40093
	7.0L	429	V8	205063	205063	Z40023	---	Z40070	Z40093
1969		390	V8	205137	205137	Z40033	---	Z40069	---
		428	V8	205132	205132	Z40033	---	Z40069	---
	4.1L	250	L6	205059	205030	Z40025	Z40096	---	Z40089
	5.0L	302	V8	205059	205030	Z40025	Z40096	---	Z40089
1968		351	V8	205137	205137	Z40033	---	Z40069	---
		390	V8	205132	205132	Z40033	---	Z40069	---
		428	V8	205132	205132	Z40033	---	Z40069	---
	2.8L	170	L6	205059	205030	Z40025	Z40096	---	Z40089
	3.3L	200	L6	205059	205030	Z40025	Z40096	---	Z40089
	4.7L	289	V8	205059	205030	Z40025	Z40096	---	Z40089
1967	2.8L	170	L6	205059	205030	Z40025	Z40096	---	Z40089
	3.3L	200	L6	205059	205030	Z40025	Z40096	---	Z40089
	4.7L	289	V8	205059	205030	Z40025	Z40096	---	Z40089
1966	3.3L	200	L6	205059	205030	Z40025	Z40096	---	Z40089
	4.7L	289	V8	205059	205030	Z40025	Z40096	---	Z40089
1965	3.3L	200	L6	205059	205030	Z40025	Z40096	---	Z40089
	4.7L	289	V8	205059	205030	Z40025	Z40096	---	Z40089
1964	3.3L	200	L6	205059	205030	Z40025	Z40096	---	Z40089
	4.7L	289	V8	205059	205030	Z40025	Z40096	---	Z40089
1963	3.3L	200	L6	205059	205030	Z40025	Z40096	---	Z40089
	4.7L	289	V8	205059	205030	Z40025	Z40096	---	Z40089
1962	3.6L	221	L6	205059	205030	Z40025	Z40096	---	Z40089
<b>FAIRMONT/FUTURA</b>									
1983	2.3L	140	L4	205058	205029	Z40035	---	Z40014	---
	3.3L	200	L6	205058	205029	Z40035	---	Z40014	---
1982	2.3L	140	L4	205058	205029	Z40035	---	Z40014	---
	3.3L	200	L6	205058	205029	Z40035	---	Z40014	---
	4.2L	255	V8	205058	205029	Z40035	---	Z40014	---
1981	2.3L	140	L4	205058	205029	Z40035	---	Z40014	---
	3.3L	200	L6	205058	205029	Z40035	---	Z40014	---
	4.2L	255	V8	205058	205029	Z40035	---	Z40014	---
1980	2.3L	140	L4	205058	205029	Z40035	---	Z40014	---
	3.3L	200	L6	205058	205029	Z40035	---	Z40014	---
	4.2L	255	V8	205058	205029	Z40035	---	Z40014	---
1979	2.3L	140	L4	205058	205029	Z40035	---	Z40014	---
	3.3L	200	L6	205058	205029	Z40035	---	Z40014	---
	5.0L	302	V8	205058	205029	Z40035	---	Z40014	---
1978	2.3L	140	L4	205058	205029	Z40035	---	Z40014	---
	3.3L	200	L6	205058	205029	Z40035	---	Z40014	---
	5.0L	302	V8	205058	205029	Z40035	---	Z40014	---

Year	Engine			Notes	Muscle Car Radiator M / T	Muscle Car Radiator A / T	Hurricane Engine Driven Fan Shroud	SINGLE Fan Assembly Up to 390HP	DUAL Fan Assembly Up to 390HP	MAX Fan Assembly Over 390HP
<b>FORD</b>										
<b>FALCON</b>										
1970	3.3L	200	L6		205064	205064	Z40025	Z40096	—	Z40089
	5.0L	302	V8		205064	205064	Z40025	Z40096	—	Z40089
1969	3.3L	200	L6		205064	205064	Z40025	Z40096	—	Z40089
	5.0L	302	V8		205064	205064	Z40025	Z40096	—	Z40089
1968	2.8L	170	L6		205064	205064	Z40025	Z40096	—	Z40089
	3.3L	200	L6		205064	205064	Z40025	Z40096	—	Z40089
	4.7L	289	V8		205064	205064	Z40025	Z40096	—	Z40089
	5.0L	302	V8		205064	205064	Z40025	Z40096	—	Z40089
1967	2.8L	170	L6		205064	205064	Z40025	Z40096	—	Z40089
	3.3L	200	L6		205064	205064	Z40025	Z40096	—	Z40089
	4.7L	289	V8		205059	205030	Z40025	Z40096	—	Z40089
	5.0L	302	V8		205064	205064	Z40025	Z40096	—	Z40089
1966	2.8L	170	L6		205064	205064	Z40025	Z40096	—	Z40089
	3.3L	200	L6		205064	205064	Z40025	Z40096	—	Z40089
	4.7L	289	V8		205059	205030	Z40025	Z40096	—	Z40089
1965	2.8L	170	L6		205064	205064	Z40025	Z40096	—	Z40089
	3.3L	200	L6		205059	205030	Z40025	Z40096	—	Z40089
	4.7L	289	V8		205059	205030	Z40025	Z40096	—	Z40089
1964	2.3L	144	L6		205064	205064	Z40025	Z40096	—	Z40089
	2.8L	170	L6		205064	205064	Z40025	Z40096	—	Z40089
	4.2L	260	V8		205059	205030	Z40025	Z40096	—	Z40089
1963	2.3L	144	L6		205064	205064	Z40025	Z40096	—	Z40089
	2.8L	170	L6		205064	205064	Z40025	Z40096	—	Z40089
	4.2L	260	V8		205059	205030	Z40025	Z40096	—	Z40089
1962	2.3L	144	L6		205064	205064	Z40025	Z40096	—	Z40089
	2.8L	170	L6		205064	205064	Z40025	Z40096	—	Z40089
	4.2L	260	V8		205059	205030	Z40025	Z40096	—	Z40089
1961	2.3L	144	L6		205064	205064	Z40025	Z40096	—	Z40089
	2.8L	170	L6		205064	205064	Z40025	Z40096	—	Z40089
	4.2L	260	V8		205059	205030	Z40025	Z40096	—	Z40089
1960	2.3L	144	L6		205064	205064	Z40025	Z40096	—	Z40089
	2.8L	170	L6		205064	205064	Z40025	Z40096	—	Z40089
	4.2L	260	V8		205059	205030	Z40025	Z40096	—	Z40089
<b>GALAXIE</b>										
1972	5.7L	351	V8		205063	205063	Z40023	—	Z40070	—
	6.5L	400	V8		205063	205063	Z40023	—	Z40070	—
	7.0L	429	V8		205063	205063	Z40023	—	Z40070	—
	7.5L	460	V8		205063	205063	Z40023	—	Z40070	—
1971	5.7L	351	V8		205063	205063	Z40023	—	Z40070	—
	6.5L	400	V8		205063	205063	Z40023	—	Z40070	—
	7.0L	429	V8		205063	205063	Z40023	—	Z40070	—
1970	5.7L	351	V8		205063	205063	Z40023	—	Z40070	—
	6.4L	390	V8		205063	205063	Z40023	—	Z40070	—
	7.0L	429	V8		205063	205063	Z40023	—	Z40070	—
	7.5L	460	V8		205063	205063	Z40023	—	Z40070	—
1969	6.4L	390	V8		205063	205063	Z40023	—	Z40070	—
	7.0L	429	V8		205063	205063	Z40023	—	Z40070	—
	7.5L	460	V8		205063	205063	Z40023	—	Z40070	—
1968	5.0L	302	V8		—	205214	Z40038	Z40114	—	Z40115
1967	3.9L	240	L6		—	205214	Z40038	Z40114	—	Z40115
	4.7L	289	V8		—	205214	Z40038	Z40114	—	Z40115
1966	3.9L	240	L6		—	205214	Z40038	Z40114	—	Z40115
	4.7L	289	V8		—	205213	Z40038	Z40114	—	Z40115
1965	3.9L	240	L6		—	205214	Z40038	Z40114	—	Z40115
	4.7L	289	V8		—	205213	Z40038	Z40114	—	Z40115

Year	Engine	Notes	Muscle Car Radiator M / T	A / T	Hurricane Engine Driven Fan Shroud	SINGLE Fan Assembly Up to 390HP	DUAL Fan Assembly Up to 390HP	MAX Fan Assembly Over 390HP
<b>FORD</b>								
<b>GALAXIE (CONT.)</b>								
1964	3.6L 223 L6		—	205214	Z40038	Z40114	—	Z40115
	4.7L 289 V8		—	205213	Z40038	Z40114	—	Z40115
<b>GRANADA</b>								
1982	2.3L 140 L4		205058	205029	Z40035	—	Z40014	—
	3.3L 200 L6		205058	205029	Z40035	—	Z40014	—
	4.2L 255 V8		205058	205029	Z40035	—	Z40014	—
1981	2.3L 140 L4		205058	205029	Z40035	—	Z40014	—
	3.3L 200 L6		205058	205029	Z40035	—	Z40014	—
	4.2L 255 V8		205058	205029	Z40035	—	Z40014	—
<b>LTD</b>								
1972	5.7L 351 V8		205063	205063	Z40023	—	Z40070	—
	6.5L 400 V8		205063	205063	Z40023	—	Z40070	—
	7.0L 429 V8		205063	205063	Z40023	—	Z40070	—
	7.5L 460 V8		205063	205063	Z40023	—	Z40070	—
1971	5.7L 351 V8		205063	205063	Z40023	—	Z40070	—
	6.5L 400 V8		205063	205063	Z40023	—	Z40070	—
	7.0L 429 V8		205063	205063	Z40023	—	Z40070	—
1970	5.7L 351 V8		205063	205063	Z40023	—	Z40070	—
	6.4L 390 V8		205063	205063	Z40023	—	Z40070	—
	7.0L 429 V8		205063	205063	Z40023	—	Z40070	—
1969	6.4L 390 V8		205063	205063	Z40023	—	Z40070	—
	7.0L 429 V8		205063	205063	Z40023	—	Z40070	—
1966	3.9L 240 L6		205059	205030	Z40025	Z40096	—	Z40089
	4.7L 289 V8		205059	205030	Z40025	Z40096	—	Z40089
1965	3.9L 240 L6		205059	205030	Z40025	Z40096	—	Z40089
	4.7L 289 V8		205059	205030	Z40025	Z40096	—	Z40089
1964	3.6L 223 L6		205059	205030	Z40025	Z40096	—	Z40089
	4.7L 289 V8		205059	205030	Z40025	Z40096	—	Z40089
<b>LTD II</b>								
1979	5.0L 302 V8		205063	205063	Z40023	—	Z40070	—
	5.8L 351 V8		205063	205063	Z40023	—	Z40070	—
1978	5.0L 302 V8		205063	205063	Z40023	—	Z40070	—
	5.8L 351 V8		205063	205063	Z40023	—	Z40070	—
	6.6L 400 V8		205063	205063	Z40023	—	Z40070	—
1977	5.0L 302 V8		205063	205063	Z40023	—	Z40070	—
	5.7L 351 V8		205063	205063	Z40023	—	Z40070	—
	6.5L 400 V8		205063	205063	Z40023	—	Z40070	—
<b>MAVERICK</b>								
1977	5.0L 302 V8		205064	205064	Z40025	Z40096	—	Z40089
1976	5.0L 302 V8		205064	205064	Z40025	Z40096	—	Z40089
1975	5.0L 302 V8		205064	205064	Z40025	Z40096	—	Z40089
1974	5.0L 302 V8		205064	205064	Z40025	Z40096	—	Z40089
1973	5.0L 302 V8		205213	205213	Z40038	Z40114	—	Z40115
1972	5.0L 302 V8		205213	205213	Z40038	Z40114	—	Z40115
1971	5.0L 302 V8		205213	205213	Z40038	Z40114	—	Z40115
1970	5.0L 302 V8		205213	205213	Z40038	Z40114	—	Z40115
<b>MUSTANG</b>								
2004	3.8L 232 V6		205181	205181	—	—	Z40126, Z40127	—
	4.6L 281 V8		205181	205181	—	—	Z40126, Z40127	—
2003	3.8L 232 V6		205181	205181	—	—	Z40126, Z40127	—
	4.6L 281 V8		205181	205181	—	—	Z40126, Z40127	—
2002	3.8L 232 V6		205181	205181	—	—	Z40126, Z40127	—
	4.6L 281 V8		205181	205181	—	—	Z40126, Z40127	—
2001	3.8L 232 V6		205181	205181	—	—	Z40126, Z40127	—
	4.6L 281 V8		205181	205181	—	—	Z40126, Z40127	—

Year	Engine			Notes	Muscle Car Radiator M / T      A / T		Hurricane Engine Driven Fan Shroud	SINGLE Fan Assembly Up to 390HP	DUAL Fan Assembly Up to 390HP	MAX Fan Assembly Over 390HP
<b>FORD</b>										
<b>MUSTANG (CONT.)</b>										
2000	3.8L	232	V6		205181	205181	—	—	Z40126, Z40127	—
	4.6L	281	V8		205181	205181	—	—	Z40126, Z40127	—
	5.4L	330	V8	Cobra	205181	205181	—	—	Z40126, Z40127	—
1999	3.8L	232	V6		205181	205181	—	—	Z40126, Z40127	—
	4.6L	281	V8		205181	205181	—	—	Z40126, Z40127	—
1998	3.8L	232	V6		205181	205181	—	—	Z40126, Z40127	—
	4.6L	281	V8		205181	205181	—	—	Z40126, Z40127	—
1997	3.8L	232	V6		205181	205181	—	—	Z40126, Z40127	—
	4.6L	281	V8		205181	205181	—	—	Z40126, Z40127	—
1996	3.8L	232	V6		205177	205177	—	—	Z40081	Z41038
1995	3.8L	232	V6		205177	205177	—	—	Z40081	Z41038
	5.0L	302	V8		205177	205177	—	—	Z40081	Z41038
1994	3.8L	232	V6		205177	205177	—	—	Z40081	Z41038
	5.0L	302	V8		205177	205177	—	—	Z40081	Z41038
1993	2.3L	140	L4		205058	205029	Z40035	—	Z40014	—
	5.0L	302	V8		205058	205029	Z40035	—	Z40014	—
1992	2.3L	140	L4		205058	205029	Z40035	—	Z40014	—
	5.0L	302	V8		205058	205029	Z40035	—	Z40014	—
1991	2.3L	140	L4		205058	205029	Z40035	—	Z40014	—
	5.0L	302	V8		205058	205029	Z40035	—	Z40014	—
1990	2.3L	140	L4		205058	205029	Z40035	—	Z40014	—
	5.0L	302	V8		205058	205029	Z40035	—	Z40014	—
1989	2.3L	140	L4		205058	205029	Z40035	—	Z40014	—
	3.8L	232	V8		205058	205029	Z40035	—	Z40014	—
	5.0L	302	V8		205058	205029	Z40035	—	Z40014	—
1988	2.3L	140	L4		205058	205029	Z40035	—	Z40014	—
	5.0L	302	V8		205058	205029	Z40035	—	Z40014	—
1987	2.3L	140	L4		205058	205029	Z40035	—	Z40014	—
	5.0L	302	V8		205058	205029	Z40035	—	Z40014	—
1986	2.3L	140	L4		205058	205029	Z40035	—	Z40014	—
	3.8L	232	V6		205058	205029	Z40035	—	Z40014	—
	5.0L	302	V8		205058	205029	Z40035	—	Z40014	—
1985	2.3L	140	L4		205058	205029	Z40035	—	Z40014	—
	3.8L	232	V6		205058	205029	Z40035	—	Z40014	—
	5.0L	302	V8		205058	205029	Z40035	—	Z40014	—
1984	2.3L	140	L4		205058	205029	Z40035	—	Z40014	—
	3.8L	232	V6		205058	205029	Z40035	—	Z40014	—
	5.0L	302	V8		205058	205029	Z40035	—	Z40014	—
1983	2.3L	140	L4		205058	205029	Z40035	—	Z40014	—
	3.8L	232	V6		205058	205029	Z40035	—	Z40014	—
	5.0L	302	V8		205058	205029	Z40035	—	Z40014	—
1982	2.3L	140	L4		205058	205029	Z40035	—	Z40014	—
	3.3L	200	L6		205058	205029	Z40035	—	Z40014	—
	4.2L	255	V8		205058	205029	Z40035	—	Z40014	—
	5.0L	302	V8		205058	205029	Z40035	—	Z40014	—
1981	2.3L	140	L4		205058	205029	Z40035	—	Z40014	—
	3.3L	200	L6		205058	205029	Z40035	—	Z40014	—
	4.2L	255	V8		205058	205029	Z40035	—	Z40014	—
1980	2.3L	140	L4		205058	205029	Z40035	—	Z40014	—
	3.3L	200	L6		205058	205029	Z40035	—	Z40014	—
	4.2L	255	V8		205058	205029	Z40035	—	Z40014	—
1979	2.3L	140	L4		205058	205029	Z40035	—	Z40014	—
	2.8L		L6		205058	205029	Z40035	—	Z40014	—
	5.0L	302	V8		205058	205029	Z40035	—	Z40014	—
1973	5.0L	302	V8		205063	205063	Z40023	—	Z40070	—
	5.7L	351	V8		205063	205063	Z40023	—	Z40070	—
1972	5.0L	302	V8		205063	205063	Z40023	—	Z40070	—

Year	Engine	Notes	Muscle Car Radiator M / T	A / T	Hurricane Engine Driven Fan Shroud	SINGLE Fan Assembly Up to 390HP	DUAL Fan Assembly Up to 390HP	MAX Fan Assembly Over 390HP
<b>FORD</b>								
<b>MUSTANG (CONT.)</b>								
1972	5.7L 351 V8		205063	205063	Z40023	—	Z40070	—
1971	5.0L 302 V8		205063	205063	Z40023	—	Z40070	—
	5.7L 351 V8		205063	205063	Z40023	—	Z40070	—
	7.0L 429 V8		205063	205063	Z40023	—	Z40070	—
1970	5.0L 302 V8		205132	205132	Z40033	—	Z40069	Z40121
	5.0L 302 V8	20" CORE, OUTLET ON DRIVER SIDE	205213	205213	Z40038	Z40114	—	Z40115
	5.0L 302 V8	20" CORE, OUTLET ON PASSENGER SIDE	205214	205214	Z40038	Z40114	—	Z40115
	5.7L 351 V8		205132	205132	Z40033	—	Z40069	Z40121
	7.0L 429 V8		205132	205132	Z40033	—	Z40069	Z40121
1969	5.0L 302 V8		205137	205137	Z40033	—	Z40069	Z40121
	5.0L 302 V8	20" CORE, OUTLET ON DRIVER SIDE	205213	205213	Z40038	Z40114	—	Z40115
	5.0L 302 V8	20" CORE, OUTLET ON PASSENGER SIDE	205214	205214	Z40038	Z40114	—	Z40115
	5.7L 351 V8		205137	205137	Z40033	—	Z40069	Z40121
	6.4L 390 V8		205132	205132	Z40033	—	Z40069	Z40121
1968	7.0L 429 V8		205132	205132	Z40033	—	Z40069	Z40121
	4.7L 289 V8		205137	205137	Z40033	—	Z40069	Z40121
	5.0L 302 V8	20" CORE, OUTLET ON DRIVER SIDE	205213	205213	Z40038	Z40114	—	Z40115
	5.0L 302 V8	20" CORE, OUTLET ON PASSENGER SIDE	205214	205214	Z40038	Z40114	—	Z40115
	6.4L 390 V8		205132	205132	Z40033	—	Z40069	Z40121
1967	4.7L 289 V8		205137	205137	Z40033	—	Z40069	Z40121
	5.0L 302 V8	20" CORE, OUTLET ON DRIVER SIDE	205213	205213	Z40038	Z40114	—	Z40115
	5.0L 302 V8	20" CORE, OUTLET ON PASSENGER SIDE	205214	205214	Z40038	Z40114	—	Z40115
	6.4L 390 V8		205132	205132	Z40033	—	Z40069	Z40121
1966	3.3L 200 L6		205064	205064	Z40025	Z40096	—	Z40089
	4.6L 289 V8		205059	205030	Z40025	Z40096	—	Z40089
	5.0L 302 V8		205064	205064	Z40025	Z40096	—	Z40089
1965	3.3L 200 L6		205064	205064	Z40025	Z40096	—	Z40089
	4.6L 289 V8		205059	205030	Z40025	Z40096	—	Z40089
	5.0L 302 V8		205064	205064	Z40025	Z40096	—	Z4008
1964	3.3L 200 L6		205064	205064	Z40025	Z40096	—	Z40089
	4.6L 289 V8		205059	205030	Z40025	Z40096	—	Z40089
	5.0L 302 V8		205064	205064	Z40025	Z40096	—	Z40089
<b>RANCHERO</b>								
1979	5.0L 302 V8		205063	205063	Z40023	—	Z40070	—
	5.8L 351 V8		205063	205063	Z40023	—	Z40070	—
1978	5.0L 302 V8		205063	205063	Z40023	—	Z40070	—
	5.8L 351 V8		205063	205063	Z40023	—	Z40070	—
	6.6L 400 V8		205063	205063	Z40023	—	Z40070	—
1977	5.0L 302 V8		205063	205063	Z40023	—	Z40070	—
	5.7L 351 V8		205063	205063	Z40023	—	Z40070	—
	6.5L 400 V8		205063	205063	Z40023	—	Z40070	—
1974	4.1L 250 L6		205063	205063	Z40023	—	Z40070	—
	5.0L 302 V8		205063	205063	Z40023	—	Z40070	—
	5.7L 351 V8		205063	205063	Z40023	—	Z40070	—
	6.5L 400 V8		205063	205063	Z40023	—	Z40070	—
	7.5L 460 V8		205063	205063	Z40023	—	Z40070	—
<b>THUNDERBIRD</b>								
1989	2.3L 140 L4		205058	205029	Z40035	—	Z40014	—
	3.8L 232 V6		205058	205029	Z40035	—	Z40014	—
	5.0L 302 V8		205058	205029	Z40035	—	Z40014	—
1988	2.3L 140 L4		205058	205029	Z40035	—	Z40014	—
	3.8L 232 V6		205058	205029	Z40035	—	Z40014	—
	5.0L 302 V8		205058	205029	Z40035	—	Z40014	—
1987	2.3L 140 L4		205058	205029	Z40035	—	Z40014	—
	3.8L 232 V6		205058	205029	Z40035	—	Z40014	—

Year	Engine		Notes	Muscle Car Radiator		Hurricane Engine	SINGLE	DUAL	MAX
				M / T	A / T	Driven Fan Shroud	Fan Assembly Up to 390HP	Fan Assembly Up to 390HP	Fan Assembly Over 390HP
<b>FORD</b>									
<b>THUNDERBIRD (CONT.)</b>									
1987	5.0L	302	V8	205058	205029	Z40035	---	Z40014	---
1986	2.3L	140	L4	205058	205029	Z40035	---	Z40014	---
	3.8L	232	V6	205058	205029	Z40035	---	Z40014	---
	5.0L	302	V8	205058	205029	Z40035	---	Z40014	---
1985	2.3L	140	L4	205058	205029	Z40035	---	Z40014	---
	3.8L	232	V6	205058	205029	Z40035	---	Z40014	---
	5.0L	302	V8	205058	205029	Z40035	---	Z40014	---
1984	2.3L	140	L4	205058	205029	Z40035	---	Z40014	---
	3.8L	232	V6	205058	205029	Z40035	---	Z40014	---
	5.0L	302	V8	205058	205029	Z40035	---	Z40014	---
1983	2.3L	140	L4	205058	205029	Z40035	---	Z40014	---
	3.8L	232	V6	205058	205029	Z40035	---	Z40014	---
	5.0L	302	V8	205058	205029	Z40035	---	Z40014	---
1982	3.3L	200	L6	205058	205029	Z40035	---	Z40014	---
	3.8L	232	V6	205058	205029	Z40035	---	Z40014	---
	4.2L	255	V8	205058	205029	Z40035	---	Z40014	---
1981	3.3L	200	L6	205058	205029	Z40035	---	Z40014	---
	4.2L	255	V8	205058	205029	Z40035	---	Z40014	---
	5.0L	302	V8	205058	205029	Z40035	---	Z40014	---
1980	3.3L	200	L6	205058	205029	Z40035	---	Z40014	---
	4.2L	255	V8	205058	205029	Z40035	---	Z40014	---
	5.0L	302	V8	205058	205029	Z40035	---	Z40014	---
1979	5.0L	302	V8	205063	205063	Z40023	---	Z40070	---
	5.8L	351	V8	205063	205063	Z40023	---	Z40070	---
1978	5.0L	302	V8	205063	205063	Z40023	---	Z40070	---
	5.8L	351	V8	205063	205063	Z40023	---	Z40070	---
	6.5L	400	V8	205063	205063	Z40023	---	Z40070	---
	6.6L	400	V8	205063	205063	Z40023	---	Z40070	---
1977	5.0L	302	V8	205063	205063	Z40023	---	Z40070	---
	5.7L	351	V8	205063	205063	Z40023	---	Z40070	---
	6.5L	400	V8	205063	205063	Z40023	---	Z40070	---
1976	7.5L	460	V8	205063	205063	Z40023	---	Z40070	---
1975	6.5L	400	V8	205063	205063	Z40023	---	Z40070	---
	7.5L	460	V8	205063	205063	Z40023	---	Z40070	---
1974	7.5L	460	V8	205063	205063	Z40023	---	Z40070	---
1973	7.0L	429	V8	205063	205063	Z40023	---	Z40070	---
	7.5L	460	V8	205063	205063	Z40023	---	Z40070	---
1972	7.0L	429	V8	205063	205063	Z40023	---	Z40070	---
	7.5L	460	V8	205063	205063	Z40023	---	Z40070	---
<b>TORINO</b>									
1979	5.0L	302	V8	205063	205063	Z40023	---	Z40070	---
	5.7L	351	V8	205063	205063	Z40023	---	Z40070	---
1978	5.0L	302	V8	205063	205063	Z40023	---	Z40070	---
	5.7L	351	V8	205063	205063	Z40023	---	Z40070	---
1977	5.0L	302	V8	205063	205063	Z40023	---	Z40070	---
	5.7L	351	V8	205063	205063	Z40023	---	Z40070	---
1976	5.7L	351	V8	205063	205063	Z40023	---	Z40070	---
	6.5L	400	V8	205063	205063	Z40023	---	Z40070	---
	7.5L	460	V8	205063	205063	Z40023	---	Z40070	---
1975	5.7L	351	V8	205063	205063	Z40023	---	Z40070	---
	6.5L	400	V8	205063	205063	Z40023	---	Z40070	---
	7.5L	460	V8	205063	205063	Z40023	---	Z40070	---
1974	4.1L	250	L6	205063	205063	Z40023	---	Z40070	---
	5.0L	302	V8	205063	205063	Z40023	---	Z40070	---
	5.7L	351	V8	205063	205063	Z40023	---	Z40070	---
	6.5L	400	V8	205063	205063	Z40023	---	Z40070	---
	7.5L	460	V8	205063	205063	Z40023	---	Z40070	---

Year	Engine	Notes	Muscle Car M / T	Radiator A / T	Hurricane Engine Driven Fan Shroud	SINGLE Fan Assembly Up to 390HP	DUAL Fan Assembly Up to 390HP	MAX Fan Assembly Over 390HP
<b>FORD</b>								
<b>TORINO (CONT.)</b>								
1973	4.1L 250 L6		205063	205063	Z40023	----	Z40070	----
	5.0L 302 V8		205063	205063	Z40023	----	Z40070	----
	5.7L 351 V8		205063	205063	Z40023	----	Z40070	----
	6.5L 400 V8		205063	205063	Z40023	----	Z40070	----
	7.5L 460 V8		205063	205063	Z40023	----	Z40070	----
1972	4.1L 250 L6		205063	205063	Z40023	----	Z40070	----
	5.0L 302 V8		205063	205063	Z40023	----	Z40070	----
	5.7L 351 V8		205063	205063	Z40023	----	Z40070	----
	6.5L 400 V8		205063	205063	Z40023	----	Z40070	----
	7.5L 460 V8		205063	205063	Z40023	----	Z40070	----
1971	5.0L 302 V8		205063	205063	Z40023	----	Z40070	----
	5.7L 351 V8		205063	205063	Z40023	----	Z40070	----
	7.0L 429 V8		205063	205063	Z40023	----	Z40070	----
1970	5.7L 351 V8		205063	205063	Z40023	----	Z40070	----
	7.0L 429 V8		205063	205063	Z40023	----	Z40070	----

## FORD LIGHT TRUCK

### BRONCO

1996	5.0L 302 V8		205123	205123	----	----	----	----
	5.8L 351 V8		205123	205123	----	----	----	----
1995	5.0L 302 V8		205123	205123	----	----	----	----
	5.8L 351 V8		205123	205123	----	----	----	----
1994	5.0L 302 V8		205123	205123	----	----	----	----
	5.8L 351 V8		205123	205123	----	----	----	----
1993	5.0L 302 V8		205123	205123	----	----	----	----
	5.8L 351 V8		205123	205123	----	----	----	----
1992	5.0L 302 V8		205123	205123	----	----	----	----
	5.8L 351 V8		205123	205123	----	----	----	----
1991	5.0L 302 V8		205123	205123	----	----	----	----
	5.8L 351 V8		205123	205123	----	----	----	----
1990	5.0L 302 V8		205123	205123	----	----	----	----
	5.8L 351 V8		205123	205123	----	----	----	----
1989	5.0L 302 V8		205123	205123	----	----	----	----
	5.8L 351 V8		205123	205123	----	----	----	----
1988	5.0L 302 V8		205123	205123	----	----	----	----
	5.8L 351 V8		205123	205123	----	----	----	----
1987	5.0L 302 V8		205123	205123	----	----	----	----
	5.8L 351 V8		205123	205123	----	----	----	----
1986	5.0L 302 V8		205123	205123	----	----	----	----
	5.8L 351 V8		205123	205123	----	----	----	----
1985	5.0L 302 V8		205123	205123	----	----	----	----
	5.8L 351 V8		205123	205123	----	----	----	----

### F-SERIES

1997	7.5L 460 V8		205123	205123	----	----	----	----
1996	5.0L 302 V8		205123	205123	----	----	----	----
	5.8L 351 V8		205123	205123	----	----	----	----
	7.5L 460 V8		205123	205123	----	----	----	----
1995	5.0L 302 V8		205123	205123	----	----	----	----
	5.8L 351 V8		205123	205123	----	----	----	----
	7.5L 460 V8	GAS & DIESEL	205123	205123	----	----	----	----
1994	5.0L 302 V8		205123	205123	----	----	----	----
	5.8L 351 V8		205123	205123	----	----	----	----
	7.5L 460 V8		205123	205123	----	----	----	----
1993	5.0L 302 V8		205123	205123	----	----	----	----
	5.8L 351 V8		205123	205123	----	----	----	----
	7.5L 460 V8		205123	205123	----	----	----	----
1992	5.0L 302 V8		205123	205123	----	----	----	----
	5.8L 351 V8		205123	205123	----	----	----	----

Year	Engine		Notes	Muscle Car Radiator M / T	A / T	Hurricane Engine Driven Fan Shroud	SINGLE Fan Assembly Up to 390HP	DUAL Fan Assembly Up to 390HP	MAX Fan Assembly Over 390HP
<b>FORD LIGHT TRUCK</b>									
<b>F-SERIES (CONT.)</b>									
1992	7.5L	460	V8	205123	205123	----	----	----	----
1991	5.0L	302	V8	205123	205123	----	----	----	----
	5.8L	351	V8	205123	205123	----	----	----	----
	7.5L	460	V8	205123	205123	----	----	----	----
1990	5.0L	302	V8	205123	205123	----	----	----	----
	5.8L	351	V8	205123	205123	----	----	----	----
	7.5L	460	V8	205123	205123	----	----	----	----
1989	5.0L	302	V8	205123	205123	----	----	----	----
	5.8L	351	V8	205123	205123	----	----	----	----
	7.5L	460	V8	205123	205123	----	----	----	----
1988	7.5L	460	V8	205123	205123	----	----	----	----
1987	7.5L	460	V8	205123	205123	----	----	----	----
1986	7.5L	460	V8	205123	205123	----	----	----	----
1985	7.5L	460	V8	205123	205123	----	----	----	----
<b>PICKUP</b>									
1952			W/CHEVY ENGINE CONVERSION	205190	205190	----	Z40110	Z41041	Z40111
1951			W/CHEVY ENGINE CONVERSION	205190	205190	----	Z40110	Z41041	Z40111
1950			W/CHEVY ENGINE CONVERSION	205190	205190	----	Z40110	Z41041	Z40111
1949			W/CHEVY ENGINE CONVERSION	205190	205190	----	Z40110	Z41041	Z40111
1948			W/CHEVY ENGINE CONVERSION	205190	205190	----	Z40110	Z41041	Z40111
<b>RANGER</b>									
1994		V8	W/V8 ENGINE CONVERSION	205138	----	----	----	----	----
1993		V8	W/V8 ENGINE CONVERSION	205138	----	----	----	----	----
1992		V8	W/V8 ENGINE CONVERSION	205138	----	----	----	----	----
1991		V8	W/V8 ENGINE CONVERSION	205138	----	----	----	----	----
1990		V8	W/V8 ENGINE CONVERSION	205138	----	----	----	----	----
1989		V8	W/V8 ENGINE CONVERSION	205138	----	----	----	----	----
1988		V8	W/V8 ENGINE CONVERSION	205138	----	----	----	----	----
1987		V8	W/V8 ENGINE CONVERSION	205138	----	----	----	----	----
1986		V8	W/V8 ENGINE CONVERSION	205138	----	----	----	----	----
1985		V8	W/V8 ENGINE CONVERSION	205138	----	----	----	----	----
1984		V8	W/V8 ENGINE CONVERSION	205138	----	----	----	----	----
1983		V8	W/V8 ENGINE CONVERSION	205138	----	----	----	----	----
1982		V8	W/V8 ENGINE CONVERSION	205138	----	----	----	----	----
<b>JEEP</b>									
<b>CJ SERIES</b>									
1986	4.2L	258	L6	205053	205053	Z40024	Z41035	Z40098	Z40094
			V8 ENGINE CONVERSION	205054	205054	Z40024	Z41035	Z40098	Z40094
1985	4.2L	258	L6	205053	205053	Z40024	Z41035	Z40098	Z40094
			V8 ENGINE CONVERSION	205054	205054	Z40024	Z41035	Z40098	Z40094
1984	4.2L	258	L6	205053	205053	Z40024	Z41035	Z40098	Z40094
			V8 ENGINE CONVERSION	205054	205054	Z40024	Z41035	Z40098	Z40094
1983	4.2L	258	L6	205053	205053	Z40024	Z41035	Z40098	Z40094
			V8 ENGINE CONVERSION	205054	205054	Z40024	Z41035	Z40098	Z40094
1982	4.2L	258	L6	205053	205053	Z40024	Z41035	Z40098	Z40094
			V8 ENGINE CONVERSION	205054	205054	Z40024	Z41035	Z40098	Z40094
1981	4.2L	258	L6	205053	205053	Z40024	Z41035	Z40098	Z40094
	5.0L	304	V8	205053	205053	Z40024	Z41035	Z40098	Z40094
			V8 ENGINE CONVERSION	205054	205054	Z40024	Z41035	Z40098	Z40094
1980	4.2L	258	L6	205053	205053	Z40024	Z41035	Z40098	Z40094
	5.0L	304	V8	205053	205053	Z40024	Z41035	Z40098	Z40094
			V8 ENGINE CONVERSION	205054	205054	Z40024	Z41035	Z40098	Z40094
1979	3.8L	232	L6	205053	205053	Z40024	Z41035	Z40098	Z40094
	4.2L	258	L6	205053	205053	Z40024	Z41035	Z40098	Z40094

Year	Engine			Notes	Muscle Car Radiator M / T	A / T	Hurricane Engine Driven Fan Shroud	SINGLE Fan Assembly Up to 390HP	DUAL Fan Assembly Up to 390HP	MAX Fan Assembly Over 390HP
<b>JEEP</b>										
<b>CJ SERIES</b>										
1979	5.0L	304	V8		205053	205053	Z40024	Z41035	Z40098	Z40094
				V8 ENGINE CONVERSION	205054	205054	Z40024	Z41035	Z40098	Z40094
1978	3.8L	232	L6		205053	205053	Z40024	Z41035	Z40098	Z40094
	4.2L	258	L6		205053	205053	Z40024	Z41035	Z40098	Z40094
	5.0L	304	V8		205053	205053	Z40024	Z41035	Z40098	Z40094
	5.9L	360	V8		205053	205053	Z40024	Z41035	Z40098	Z40094
	6.6L	401	V8		205053	205053	Z40024	Z41035	Z40098	Z40094
				V8 ENGINE CONVERSION	205054	205054	Z40024	Z41035	Z40098	Z40094
1977	3.8L	232	L6		205053	205053	Z40024	Z41035	Z40098	Z40094
	4.2L	258	L6		205053	205053	Z40024	Z41035	Z40098	Z40094
	5.0L	304	V8		205053	205053	Z40024	Z41035	Z40098	Z40094
				V8 ENGINE CONVERSION	205054	205054	Z40024	Z41035	Z40098	Z40094
1976	3.8L	232	L6		205053	205053	Z40024	Z41035	Z40098	Z40094
	4.2L	258	L6		205053	205053	Z40024	Z41035	Z40098	Z40094
	5.0L	304	V8		205053	205053	Z40024	Z41035	Z40098	Z40094
				V8 ENGINE CONVERSION	205054	205054	Z40024	Z41035	Z40098	Z40094
1975	3.8L	232	L6		205053	205053	Z40024	Z41035	Z40098	Z40094
	4.2L	258	L6		205053	205053	Z40024	Z41035	Z40098	Z40094
	5.0L	304	V8		205053	205053	Z40024	Z41035	Z40098	Z40094
				V8 ENGINE CONVERSION	205054	205054	Z40024	Z41035	Z40098	Z40094
1974	3.8L	232	L6		205053	205053	Z40024	Z41035	Z40098	Z40094
	4.2L	258	L6		205053	205053	Z40024	Z41035	Z40098	Z40094
	5.0L	304	V8		205053	205053	Z40024	Z41035	Z40098	Z40094
				V8 ENGINE CONVERSION	205054	205054	Z40024	Z41035	Z40098	Z40094
1973	3.8L	232	L6		205053	205053	Z40024	Z41035	Z40098	Z40094
	4.2L	258	L6		205053	205053	Z40024	Z41035	Z40098	Z40094
	5.0L	304	V8		205053	205053	Z40024	Z41035	Z40098	Z40094
				V8 ENGINE CONVERSION	205054	205054	Z40024	Z41035	Z40098	Z40094
1972			V8	V8 ENGINE CONVERSION	205054	205054	Z40024	Z41035	Z40098	Z40094
<b>WRANGLER (INCLUDES J/K SERIES '97 &amp; UP)</b>										
2018	3.6L	220	V6		205218	205218	---	---	---	---
				HEMI CONVERSION W/ELECTRIC FAN	205219	205219	---	---	---	---
				HEMI CONVERSION W/ENGINE DRIVEN FAN	205220	205220	---	---	---	---
2017	3.6L	220	V6		205218	205218	---	---	---	---
				HEMI CONVERSION W/ELECTRIC FAN	205219	205219	---	---	---	---
				HEMI CONVERSION W/ENGINE DRIVEN FAN	205220	205220	---	---	---	---
2016	3.6L	220	V6		205218	205218	---	---	---	---
				HEMI CONVERSION W/ELECTRIC FAN	205219	205219	---	---	---	---
				HEMI CONVERSION W/ENGINE DRIVEN FAN	205220	205220	---	---	---	---
2015	3.6L	220	V6		205218	205218	---	---	---	---
				HEMI CONVERSION W/ELECTRIC FAN	205219	205219	---	---	---	---
				HEMI CONVERSION W/ENGINE DRIVEN FAN	205220	205220	---	---	---	---
2014	3.6L	220	V6		205218	205218	---	---	---	---
				HEMI CONVERSION W/ELECTRIC FAN	205219	205219	---	---	---	---
				HEMI CONVERSION W/ENGINE DRIVEN FAN	205220	205220	---	---	---	---
2013	3.6L	220	V6		205218	205218	---	---	---	---
				HEMI CONVERSION W/ELECTRIC FAN	205219	205219	---	---	---	---
				HEMI CONVERSION W/ENGINE DRIVEN FAN	205220	205220	---	---	---	---
2012	3.6L	220	V6		205218	205218	---	---	---	---
				HEMI CONVERSION W/ELECTRIC FAN	205219	205219	---	---	---	---
				HEMI CONVERSION W/ENGINE DRIVEN FAN	205220	205220	---	---	---	---
2011	3.8L	231	V6		205218	205218	---	---	---	---
				HEMI CONVERSION W/ELECTRIC FAN	205219	205219	---	---	---	---
				HEMI CONVERSION W/ENGINE DRIVEN FAN	205220	205220	---	---	---	---
2010	3.8L	231	V6		205218	205218	---	---	---	---
				HEMI CONVERSION W/ELECTRIC FAN	205219	205219	---	---	---	---
				HEMI CONVERSION W/ENGINE DRIVEN FAN	205220	205220	---	---	---	---

Year	Engine			Notes	Muscle Car Radiator M / T	A / T	Hurricane Engine Driven Fan Shroud	SINGLE Fan Assembly Up to 390HP	DUAL Fan Assembly Up to 390HP	MAX Fan Assembly Over 390HP
<b>JEEP</b>										
<b>WRANGLER (INCLUDES J/K SERIES '97 &amp; UP) (CONT.)</b>										
2009	3.8L	231	V6		205218	205218	---	---	---	---
				HEMI CONVERSION W/ELECTRIC FAN	205219	205219	---	---	---	---
				HEMI CONVERSION W/ENGINE DRIVEN FAN	205220	205220	---	---	---	---
2008	3.8L	231	V6		205218	205218	---	---	---	---
				HEMI CONVERSION W/ELECTRIC FAN	205219	205219	---	---	---	---
				HEMI CONVERSION W/ENGINE DRIVEN FAN	205220	205220	---	---	---	---
2007	3.8L	231	V6		205218	205218	---	---	---	---
				HEMI CONVERSION W/ELECTRIC FAN	205219	205219	---	---	---	---
				HEMI CONVERSION W/ENGINE DRIVEN FAN	205220	205220	---	---	---	---
2006	2.4L	150	L4		205087	205087	---	---	---	Z40118
	4.0L	258	L6		205087	205087	---	---	---	Z40118
				V8 ENGINE CONVERSION	205088	205088	---	---	---	Z40118
2005	2.4L	150	L4		205087	205087	---	---	---	Z40118
	4.0L	258	L6		205087	205087	---	---	---	Z40118
				V8 ENGINE CONVERSION	205088	205088	---	---	---	Z40118
2004	2.4L	150	L4		205087	205087	---	---	---	Z40118
	4.0L	258	L6		205087	205087	---	---	---	Z40118
				V8 ENGINE CONVERSION	205088	205088	---	---	---	Z40118
2003	2.4L	150	L4		205087	205087	---	---	---	Z40118
	4.0L	258	L6		205087	205087	---	---	---	Z40118
				V8 ENGINE CONVERSION	205088	205088	---	---	---	Z40118
2002	2.5L	150	L4		205087	205087	---	---	---	Z40118
	4.0L	258	L6		205087	205087	---	---	---	Z40118
				V8 ENGINE CONVERSION	205088	205088	---	---	---	Z40118
2001	2.5L	150	L4		205087	205087	---	---	---	Z40118
	4.0L	258	L6		205087	205087	---	---	---	Z40118
				V8 ENGINE CONVERSION	205088	205088	---	---	---	Z40118
2000	2.5L	150	L4		205087	205087	---	---	---	Z40118
	4.0L	258	L6		205087	205087	---	---	---	Z40118
				V8 ENGINE CONVERSION	205088	205088	---	---	---	Z40118
1999	2.5L	150	L4		205087	205087	---	---	---	Z40118
	4.0L	258	L6		205087	205087	---	---	---	Z40118
				V8 ENGINE CONVERSION	205088	205088	---	---	---	Z40118
1998	2.5L	150	L4		205087	205087	---	---	---	Z40118
	4.0L	258	L6		205087	205087	---	---	---	Z40118
				V8 ENGINE CONVERSION	205088	205088	---	---	---	Z40118
1997	2.5L	150	L4		205087	205087	---	---	---	Z4011
	4.0L	258	L6		205087	205087	---	---	---	Z40118
				V8 ENGINE CONVERSION	205088	205088	---	---	---	Z40118
1996	2.5L	150	L4		205087	205087	---	---	---	Z40118
	4.0L	258	L6		205087	205087	---	---	---	Z40118
				V8 ENGINE CONVERSION	205088	205088	---	---	---	Z40118
1995	2.5L	150	L4		205087	205087	---	---	---	Z40118
	4.0L	258	L6		205087	205087	---	---	---	Z40118
				V8 ENGINE CONVERSION	205088	205088	---	---	---	Z40118
1994	2.5L	150	L4		205087	205087	---	---	---	Z40118
	4.0L	258	L6		205087	205087	---	---	---	Z40118
				V8 ENGINE CONVERSION	205088	205088	---	---	---	Z40118
1993	2.5L	150	L4		205087	205087	---	---	---	Z40118
	4.0L	258	L6		205087	205087	---	---	---	Z40118
				V8 ENGINE CONVERSION	205088	205088	---	---	---	Z40118
1992	2.5L	150	L4		205087	205087	---	---	---	Z40118
	4.0L	258	L6		205087	205087	---	---	---	Z40118
				V8 ENGINE CONVERSION	205088	205088	---	---	---	Z40118
1991	2.5L	150	L4		205087	205087	---	---	---	Z40118
	4.0L	258	L6		205087	205087	---	---	---	Z40118
				V8 ENGINE CONVERSION	205088	205088	---	---	---	Z40118
1990	2.5L	150	L4		205087	205087	---	---	---	Z40118

Year	Engine	Notes	Muscle Car Radiator M / T	A / T	Hurricane Engine Driven Fan Shroud	SINGLE Fan Assembly Up to 390HP	DUAL Fan Assembly Up to 390HP	MAX Fan Assembly Over 390HP
<b>JEEP</b>								
<b>WRANGLER (INCLUDES J/K SERIES '97 &amp; UP) (CONT.)</b>								
1990	4.2L 258 L6		205087	205087	---	---	---	Z40118
		V8 ENGINE CONVERSION	205088	205088	---	---	---	Z40118
1989	2.5L 150 L4		205087	205087	---	---	---	Z40118
	4.2L 258 L6		205087	205087	---	---	---	Z40118
		V8 ENGINE CONVERSION	205088	205088	---	---	---	Z40118
1988	2.5L 150 L4		205087	205087	---	---	---	Z40118
	4.2L 258 L6		205087	205087	---	---	---	Z40118
		V8 ENGINE CONVERSION	205088	205088	---	---	---	Z40118
1987	2.5L 150 L4		205087	205087	---	---	---	Z40118
	4.2L 258 L6		205087	205087	---	---	---	Z40118
		V8 ENGINE CONVERSION	205088	205088	---	---	---	Z40118

## MERCURY

### COLONY PARK

1972	5.7L 351 V8		205063	205063	Z40023	---	Z40070	---
	6.5L 400 V8		205063	205063	Z40023	---	Z40070	---
	7.0L 429 V8		205063	205063	Z40023	---	Z40070	---
	7.5L 460 V8		205063	205063	Z40023	---	Z40070	---
1971	5.7L 351 V8		205063	205063	Z40023	---	Z40070	---
	6.5L 400 V8		205063	205063	Z40023	---	Z40070	---
	7.0L 429 V8		205063	205063	Z40023	---	Z40070	---
1970	6.4L 390 V8		205063	205063	Z40023	---	Z40070	---
	7.0L 429 V8		205063	205063	Z40023	---	Z40070	---
1969	6.4L 390 V8		205063	205063	Z40023	---	Z40070	---
	7.0L 429 V8		205063	205063	Z40023	---	Z40070	---
1968	6.4L 390 V8		205063	205063	Z40023	---	Z40070	---
	7.0L 429 V8		205063	205063	Z40023	---	Z40070	---
1967	6.4L 390 V8		205063	205063	Z40023	---	Z40070	---
	7.0L 429 V8		205063	205063	Z40023	---	Z40070	---

### COMET

1970	3.3L 200 L6		205064	205064	Z40025	Z40096	---	Z40089
	5.0L 302 V8		205064	205064	Z40025	Z40096	---	Z40089
1969	3.3L 200 L6		205064	205064	Z40025	Z40096	---	Z40089
	5.0L 302 V8		205064	205064	Z40025	Z40096	---	Z40089
1968	2.8L 170 L6		205064	205064	Z40025	Z40096	---	Z40089
	3.3L 200 L6		205064	205064	Z40025	Z40096	---	Z40089
	4.7L 289 V8		205064	205064	Z40025	Z40096	---	Z40089
	5.0L 302 V8		205064	205064	Z40025	Z40096	---	Z40089
1967	2.8L 170 L6		205064	205064	Z40025	Z40096	---	Z40089
	3.3L 200 L6		205064	205064	Z40025	Z40096	---	Z40089
	4.7L 289 V8		205059	205030	Z40025	Z40096	---	Z40089
	5.0L 302 V8		205064	205064	Z40025	Z40096	---	Z40089
1966	2.8L 170 L6		205064	205064	Z40025	Z40096	---	Z40089
	3.3L 200 L6		205064	205064	Z40025	Z40096	---	Z40089
	4.7L 289 V8		205059	205030	Z40025	Z40096	---	Z40089
1965	2.8L 170 L6		205064	205064	Z40025	Z40096	---	Z40089
	3.3L 200 L6		205059	205030	Z40025	Z40096	---	Z40089
	4.7L 289 V8		205059	205030	Z40025	Z40096	---	Z40089
1964	2.3L 144 L6		205064	205064	Z40025	Z40096	---	Z40089
	2.8L 170 L6		205064	205064	Z40025	Z40096	---	Z40089
	4.2L 260 V8		205059	205030	Z40025	Z40096	---	Z40089
1963	2.3L 144 L6		205064	205064	Z40025	Z40096	---	Z40089
	2.8L 170 L6		205064	205064	Z40025	Z40096	---	Z40089
	4.2L 260 V8		205059	205030	Z40025	Z40096	---	Z40089
1962	2.3L 144 L6		205064	205064	Z40025	Z40096	---	Z40089

Year	Engine			Notes	Muscle Car Radiator M / T	Muscle Car Radiator A / T	Hurricane Engine Driven Fan Shroud	SINGLE Fan Assembly Up to 390HP	DUAL Fan Assembly Up to 390HP	MAX Fan Assembly Over 390HP
<b>MERCURY</b>										
<b>COMET (CONT.)</b>										
1962	2.8L	170	L6		205064	205064	Z40025	Z40096	—	Z40089
	4.2L	260	V8		205059	205030	Z40025	Z40096	—	Z40089
1961	2.3L	144	L6		205064	205064	Z40025	Z40096	—	Z40089
	2.8L	170	L6		205064	205064	Z40025	Z40096	—	Z40089
	4.2L	260	V8		205059	205030	Z40025	Z40096	—	Z40089
1960	2.3L	144	L6		205064	205064	Z40025	Z40096	—	Z40089
	2.8L	170	L6		205064	205064	Z40025	Z40096	—	Z40089
	4.2L	260	V8		205059	205030	Z40025	Z40096	—	Z40089
<b>COUGAR/XR7</b>										
1988	3.8L	232	V6		205058	205029	Z40035	—	Z40014	—
1987	3.8L	232	V6		205058	205029	Z40035	—	Z40014	—
	5.0L	302	V6		205058	205029	Z40035	—	Z40014	—
1986	2.3L	140	L4		205058	205029	Z40035	—	Z40014	—
	3.8L	232	V6		205058	205029	Z40035	—	Z40014	—
	5.0L	302	V6		205058	205029	Z40035	—	Z40014	—
1985	2.3L	140	L4		205058	205029	Z40035	—	Z40014	—
	3.8L	232	V6		205058	205029	Z40035	—	Z40014	—
	5.0L	302	V6		205058	205029	Z40035	—	Z40014	—
1984	2.3L	140	L4		205058	205029	Z40035	—	Z40014	—
	3.8L	232	V6		205058	205029	Z40035	—	Z40014	—
	5.0L	302	V6		205058	205029	Z40035	—	Z40014	—
1983	2.3L	140	L4		205058	205029	Z40035	—	Z40014	—
	3.8L	232	V6		205058	205029	Z40035	—	Z40014	—
	5.0L	302	V6		205058	205029	Z40035	—	Z40014	—
1982	2.3L	140	L4		205058	205029	Z40035	—	Z40014	—
	3.3L	200	L6		205058	205029	Z40035	—	Z40014	—
	3.8L	232	V6		205058	205029	Z40035	—	Z40014	—
1981	2.3L	140	L4		205058	205029	Z40035	—	Z40014	—
	3.3L	200	L6		205058	205029	Z40035	—	Z40014	—
	3.8L	232	V6		205058	205029	Z40035	—	Z40014	—
1980	4.2L	255	V8		205058	205029	Z40035	—	Z40014	—
	5.0L	302	V8		205058	205029	Z40035	—	Z40014	—
1973	5.7L	351	V8		205063	205063	Z40023	—	Z40070	—
1972	5.7L	351	V8		205063	205063	Z40023	—	Z40070	—
1971	5.7L	351	V8		205063	205063	Z40023	—	Z40070	—
	7.0L	429	V8		205063	205063	Z40023	—	Z40070	—
1970	5.0L	302	V8		205132	205132	Z40033	—	Z40069	Z40121
	5.0L	302	V8	20" CORE, OUTLET ON DRIVER SIDE	205213	205213	Z40038	Z40114	—	Z40115
	5.0L	302	V8	20" CORE, OUTLET ON PASSENGER SIDE	205214	205214	Z40038	Z40114	—	Z40115
	5.7L	351	V8		205132	205132	Z40033	—	Z40069	Z40121
	7.0L	429	V8		205132	205132	Z40033	—	Z40069	Z40121
	5.0L	302	V8		205137	205137	Z40033	—	Z40069	Z40121
1969	5.0L	302	V8	20" CORE, OUTLET ON DRIVER SIDE	205213	205213	Z40038	Z40114	—	Z40115
	5.0L	302	V8	20" CORE, OUTLET ON PASSENGER SIDE	205214	205214	Z40038	Z40114	—	Z40115
	5.7L	351	V8		205137	205137	Z40033	—	Z40069	Z40121
	6.4L	390	V8		205132	205132	Z40033	—	Z40069	Z40121
	7.0L	429	V8		205132	205132	Z40033	—	Z40069	Z40121
	5.0L	302	V8		205137	205137	Z40033	—	Z40069	Z40121
1968	4.7L	289	V8		205137	205137	Z40033	—	Z40069	Z40121
	5.0L	302	V8	20" CORE, OUTLET ON DRIVER SIDE	205213	205213	Z40038	Z40114	—	Z40115
	5.0L	302	V8	20" CORE, OUTLET ON PASSENGER SIDE	205214	205214	Z40038	Z40114	—	Z40115
	6.4L	390	V8		205132	205132	Z40033	—	Z40069	Z40121
<b>METEOR</b>										
1972	5.7L	351	V8		205063	205063	Z40023	—	Z40070	—
	6.5L	400	V8		205063	205063	Z40023	—	Z40070	—
	7.0L	429	V8		205063	205063	Z40023	—	Z40070	—

Year	Engine		Notes	Muscle Car Radiator M / T	A / T	Hurricane Engine Driven Fan Shroud	SINGLE Fan Assembly Up to 390HP	DUAL Fan Assembly Up to 390HP	MAX Fan Assembly Over 390HP
<b>MERCURY</b>									
<b>METEOR (CONT.)</b>									
1971	5.0L	302	V8	205063	205063	Z40023	---	Z40070	---
	5.7L	351	V8	205063	205063	Z40023	---	Z40070	---
	6.5L	400	V8	205063	205063	Z40023	---	Z40070	---
	7.0L	429	V8	205063	205063	Z40023	---	Z40070	---
1970	5.0L	302	V8	205063	205063	Z40023	---	Z40070	---
	5.7L	351	V8	205063	205063	Z40023	---	Z40070	---
	6.4L	390	V8	205063	205063	Z40023	---	Z40070	---
	7.0L	429	V8	205063	205063	Z40023	---	Z40070	---
1969	6.4L	390	V8	205063	205063	Z40023	---	Z40070	---
	7.0L	429	V8	205063	205063	Z40023	---	Z40070	---
<b>MONTEGO</b>									
1976	5.7L	351	V8	205063	205063	Z40023	---	Z40070	---
	6.5L	400	V8	205063	205063	Z40023	---	Z40070	---
	7.5L	460	V8	205063	205063	Z40023	---	Z40070	---
1975	5.7L	351	V8	205063	205063	Z40023	---	Z40070	---
	6.5L	400	V8	205063	205063	Z40023	---	Z40070	---
	7.5L	460	V8	205063	205063	Z40023	---	Z40070	---
1974	4.1L	250	L6	205063	205063	Z40023	---	Z40070	---
	5.0L	302	V8	205063	205063	Z40023	---	Z40070	---
	5.7L	351	V8	205063	205063	Z40023	---	Z40070	---
	6.5L	400	V8	205063	205063	Z40023	---	Z40070	---
	7.5L	460	V8	205063	205063	Z40023	---	Z40070	---
1973	4.1L	250	L6	205063	205063	Z40023	---	Z40070	---
	5.0L	302	V8	205063	205063	Z40023	---	Z40070	---
	5.7L	351	V8	205063	205063	Z40023	---	Z40070	---
	6.5L	400	V8	205063	205063	Z40023	---	Z40070	---
	7.0L	429	V8	205063	205063	Z40023	---	Z40070	---
1972	4.1L	250	L6	205063	205063	Z40023	---	Z40070	---
	5.0L	302	V8	205063	205063	Z40023	---	Z40070	---
	5.7L	351	V8	205063	205063	Z40023	---	Z40070	---
	6.5L	400	V8	205063	205063	Z40023	---	Z40070	---
	7.0L	429	V8	205063	205063	Z40023	---	Z40070	---
1971	5.0L	302	V8	205063	205063	Z40023	---	Z40070	---
	5.7L	351	V8	205063	205063	Z40023	---	Z40070	---
	7.0L	429	V8	205063	205063	Z40023	---	Z40070	---
1970	5.7L	351	V8	205063	205063	Z40023	---	Z40070	---
	7.0L	429	V8	205063	205063	Z40023	---	Z40070	---
<b>ZEPHYR</b>									
1983	2.3L	140	L4	205058	205029	Z40035	---	Z40014	---
	3.3L	200	L6	205058	205029	Z40035	---	Z40014	---
1982	2.3L	140	L4	205058	205029	Z40035	---	Z40014	---
	3.3L	200	L6	205058	205029	Z40035	---	Z40014	---
	4.2L	255	V8	205058	205029	Z40035	---	Z40014	---
1981	2.3L	140	L4	205058	205029	Z40035	---	Z40014	---
	3.3L	200	L6	205058	205029	Z40035	---	Z40014	---
	4.2L	255	V8	205058	205029	Z40035	---	Z40014	---
1980	2.3L	140	L4	205058	205029	Z40035	---	Z40014	---
	3.3L	200	L6	205058	205029	Z40035	---	Z40014	---
	4.2L	255	V8	205058	205029	Z40035	---	Z40014	---
1979	2.3L	140	L4	205058	205029	Z40035	---	Z40014	---
	3.3L	200	L6	205058	205029	Z40035	---	Z40014	---
	5.0L	302	V8	205058	205029	Z40035	---	Z40014	---
1978	2.3L	140	L4	205058	205029	Z40035	---	Z40014	---
	3.3L	200	L6	205058	205029	Z40035	---	Z40014	---
	5.0L	302	V8	205058	205029	Z40035	---	Z40014	---

Year	Engine			Notes	Muscle Car M / T	Radiator A / T	Hurricane Engine Driven Fan Shroud	SINGLE Fan Assembly Up to 390HP	DUAL Fan Assembly Up to 390HP	MAX Fan Assembly Over 390HP
<b>OLDSMOBILE</b>										
<b>CUTLASS/CUTLASS SUPREME</b>										
1988	5.0L	307	V8		205056	205027	—	—	Z40006	Z40082
1987	3.8L	231	V6		205057	205028	Z40034	—	—	Z40084
	5.0L	307	V8		205056	205027	—	—	Z40006	Z40082
1986	5.0L	305	V8		205056	205027	—	—	Z40006	Z40082
	3.8L	231	V6		205057	205028	Z40034	—	—	Z40084
	5.0L	307	V8		205056	205027	—	—	Z40006	Z40082
1985	5.0L	305	V8		205056	205027	—	—	Z40006	Z40082
	3.8L	231	V6		205057	205028	Z40034	—	—	Z40084
	5.0L	307	V8		205056	205027	—	—	Z40006	Z40082
1984	5.0L	305	V8		205056	205027	—	—	Z40006	Z40082
	3.8L	231	V6		205057	205028	Z40034	—	—	Z40084
	5.0L	307	V8		205056	205027	—	—	Z40006	Z40082
1983	5.0L	305	V8		205056	205027	—	—	Z40006	Z40082
	3.8L	231	V6		205057	205028	Z40034	—	—	Z40084
	5.0L	307	V8		205056	205027	—	—	Z40006	Z40082
1982	5.0L	305	V8		205056	205027	—	—	Z40006	Z40082
	3.8L	231	V6		205057	205028	Z40034	—	—	Z40084
	4.4L	267	V8		205056	205027	—	—	Z40006	Z40082
	5.0L	307	V8		205056	205027	—	—	Z40006	Z40082
1981	5.0L	305	V8		205056	205027	—	—	Z40006	Z40082
	3.8L	231	V6		205057	205028	Z40034	—	—	Z40084
	4.3L	260	V8		205056	205027	—	—	Z40006	Z40082
1980	4.3L	260	V8		205056	205027	—	—	Z40006	Z40082
	3.8L	231	V6		205057	205028	Z40034	—	—	Z40084
	5.0L	305	V8		205056	205027	—	—	Z40006	Z40082
1979	5.0L	305	V8		205056	205027	—	—	Z40006	Z40082
	4.3L	260	V8		205056	205027	—	—	Z40006	Z40082
	3.8L	231	V6		205057	205028	Z40034	—	—	Z40084
1978	4.3L	260	V8		205056	205027	—	—	Z40006	Z40082
	3.8L	231	V6		205056	205027	—	—	Z40006	Z40082
	5.0L	305	V8		205056	205027	—	—	Z40006	Z40082
	5.7L	350	V8		205056	205027	—	—	Z40006	Z40082
1977	5.7L	350	V8		205055	205026	Z40026	—	Z40004	Z40099
	4.2L	260	V8		205055	205026	Z40026	—	Z40004	Z40099
	6.6L	403	V8		205055	205026	Z40026	—	Z40004	Z40099
1976	6.6L	403	V8		205055	205026	Z40026	—	Z40004	Z40099
	4.1L	252	V6		205055	205026	Z40026	—	Z40004	Z40099
	4.2L	260	V8		205055	205026	Z40026	—	Z40004	Z40099
	5.7L	350	V8		205055	205026	Z40026	—	Z40004	Z40099
1975	7.4L	455	V8		205055	205026	Z40026	—	Z40004	Z40099
	4.1L	252	V6		205055	205026	Z40026	—	Z40004	Z40099
	4.2L	260	V8		205055	205026	Z40026	—	Z40004	Z40099
1974	4.2L	260	V8		205055	205026	Z40026	—	Z40004	Z40099
	7.4L	455	V8		205055	205026	Z40026	—	Z40004	Z40099
	5.7L	350	V8		205055	205026	Z40026	—	Z40004	Z40099
1973	7.4L	455	V8		205055	205026	Z40026	—	Z40004	Z40099
	5.7L	350	V8		205055	205026	Z40026	—	Z40004	Z40099
1972	7.4L	455	V8		205055	205026	Z40026	—	Z40004	Z40099
	5.7L	350	V8		205055	205026	Z40026	—	Z40004	Z40099
1971	7.4L	455	V8		205055	205026	Z40026	—	Z40004	Z40099
	5.7L	350	V8		205055	205026	Z40026	—	Z40004	Z40099
	4.1L	252	V6		205055	205026	Z40026	—	Z40004	Z40099
1970	4.1L	252	V6		205055	205026	Z40026	—	Z40004	Z40099
	7.4L	455	V8		205055	205026	Z40026	—	Z40004	Z40099
	5.7L	350	V8		205055	205026	Z40026	—	Z40004	Z40099
1969	5.7L	350	V8		205055	205026	Z40026	—	Z40004	Z40099
	4.1L	252	V6		205055	205026	Z40026	—	Z40004	Z40099
	6.5L	400	V8		205055	205026	Z40026	—	Z40004	Z40099

Year	Engine	Notes	Muscle Car Radiator M / T	A / T	Hurricane Engine Driven Fan Shroud	SINGLE Fan Assembly Up to 390HP	DUAL Fan Assembly Up to 390HP	MAX Fan Assembly Over 390HP
<b>OLDSMOBILE</b>								
<b>CUTLASS/CUTLASS SUPREME (CONT.)</b>								
1968	4.1L 252 V6		205055	205026	Z40026	---	Z40004	Z40099
	5.7L 350 V8		205055	205026	Z40026	---	Z40004	Z40099
	6.5L 400 V8		205055	205026	Z40026	---	Z40004	Z40099
1967	4.1L 252 V6	CHECK OEM DIMENSIONS	205055	205026	Z40026	---	Z40004	Z40099
	4.1L 252 V6	CHECK OEM DIMENSIONS	205057	205028	Z40034	---	---	Z40084
	5.4L 330 V8		205055	205026	Z40026	---	Z40004	Z40099
	5.7L 350 V8		205055	205026	Z40026	---	Z40004	Z40099
	6.5L 400 V8		205055	205026	Z40026	---	Z40004	Z40099
	1966	4.1L 252 V6		205057	205028	Z40034	---	---
	5.4L 330 V8		205055	205026	Z40026	---	Z40004	Z40099
<b>OMEGA</b>								
1979	3.8L 231 V6		205056	205027	---	---	Z40006	Z40082
	5.0L 305 V8	CHECK OEM DIMENSIONS	205056	205027	---	---	Z40006	Z40082
	5.0L 305 V8	CHECK OEM DIMENSIONS	205057	205028	Z40034	---	---	Z40084
	5.7L 350 V8		205056	205027	---	---	Z40006	Z40082
1978	3.8L 231 V6		205056	205027	---	---	Z40006	Z40082
	5.0L 305 V8	CHECK OEM DIMENSIONS	205056	205027	---	---	Z40006	Z40082
	5.0L 305 V8	CHECK OEM DIMENSIONS	205057	205028	Z40034	---	---	Z40084
	5.7L 350 V8		205056	205027	---	---	Z40006	Z40082
1977	3.8L 231 V6		205056	205027	---	---	Z40006	Z40082
	5.0L 305 V8	CHECK OEM DIMENSIONS	205056	205027	---	---	Z40006	Z40082
	5.0L 305 V8	CHECK OEM DIMENSIONS	205057	205028	Z40034	---	---	Z40084
	5.7L 350 V8		205056	205027	---	---	Z40006	Z40082
1976	4.1L 252 V6	CHECK OEM DIMENSIONS	205056	205027	---	---	Z40006	Z40082
	4.1L 252 V6	CHECK OEM DIMENSIONS	205057	205028	Z40034	---	---	Z40084
	4.2L 260 V8		205056	205027	---	---	Z40006	Z40082
	5.7L 350 V8		205056	205027	---	---	Z40006	Z40082
1975	4.1L 252 V6	CHECK OEM DIMENSIONS	205056	205027	---	---	Z40006	Z40082
	4.2L 260 V8		205056	205027	---	---	Z40006	Z40082
	5.7L 350 V8		205056	205027	---	---	Z40006	Z40082
1974	4.1L 252 V6	CHECK OEM DIMENSIONS	205057	205028	Z40034	---	---	Z40084
1973	4.1L 252 V6	CHECK OEM DIMENSIONS	205057	205028	Z40034	---	---	Z40084
<b>PLYMOUTH</b>								
<b>BARRACUDA</b>								
1974	5.2L 318 V8		205192	205192	-----	-----	-----	Z40109
	5.5L 340 V8		205192	205192	-----	-----	-----	Z40109
	6.2L 383 V8		205191	205191	-----	-----	-----	Z40109
	6.9L 426 V8		205191	205191	-----	-----	-----	Z40109
1973	5.2L 318 V8		205070	205070	Z40031	---	Z40007	Z40093
	5.2L 318 V8		205192	205192	-----	-----	-----	Z40109
	5.5L 340 V8		205070	205070	Z40031	---	Z40007	Z40093
	5.5L 340 V8		205192	205192	-----	-----	-----	Z40109
	6.2L 383 V8		205191	205191	-----	-----	-----	Z40109
	6.9L 426 V8		205191	205191	-----	-----	Z40109	-----
1972	5.2L 318 V8		205070	205070	Z40031	-----	Z40007	Z40093
	5.2L 318 V8		205192	205192	-----	-----	-----	Z40109
	5.5L 340 V8		205192	205192	-----	-----	-----	Z40109
	5.5L 340 V8		205070	205070	Z40031	-----	Z40007	Z40093
	6.2L 383 V8		205191	205191	-----	-----	-----	Z40109
	6.5L 400 V8		205071	205071	Z40031	-----	Z40007	Z40093
6.9L 426 V8		205191	205191	-----	-----	-----	Z40109	
1971	5.2L 318 V8		205070	205070	Z40031	-----	Z40007	Z40093
	5.2L 318 V8		205192	205192	-----	-----	-----	Z40109
	5.5L 340 V8		205192	205192	-----	-----	-----	Z40109
	5.5L 340 V8		205070	205070	Z40031	-----	Z40007	Z40093

Year	Engine			Notes	Muscle Car Radiator M / T	Radiator A / T	Hurricane Engine Driven Fan Shroud	SINGLE Fan Assembly Up to 390HP	DUAL Fan Assembly Up to 390HP	MAX Fan Assembly Over 390HP
<b>PLYMOUTH</b>										
<b>BARRACUDA (CONT.)</b>										
1971	6.2L	383	V8		205071	205071	Z40031	-----	Z40007	Z40093
	6.2L	383	V8		205191	205191	-----	-----	-----	Z40109
	6.9L	426	V8		205191	205191	-----	-----	-----	Z40109
	7.2L	440	V8		205071	205071	Z40031	-----	Z40007	Z40093
1970	5.2L	318	V8		205070	205070	Z40031	-----	Z40007	Z40093
	5.2L	318	V8		205192	205192	-----	-----	-----	Z40109
	5.5L	340	V8		205192	205192	-----	-----	-----	Z40109
	5.5L	340	V8		205070	205070	Z40031	-----	Z40007	Z40093
	6.2L	383	V8		205071	205071	Z40031	-----	Z40007	Z40093
	6.2L	383	V8		205191	205191	-----	-----	-----	Z40109
	6.9L	426	V8		205071	205071	Z40031	-----	Z40007	Z40093
	6.9L	426	V8		205191	205191	-----	-----	-----	Z40109
	7.2L	440	V8		205071	205071	Z40031	-----	Z40007	Z40093
1969	5.2L	318	V8		205198	205198	-----	Z40107	Z40112	-----
	5.5L	340	V8		205198	205198	-----	Z40107	Z40112	-----
	5.7L			HEMI	205199	205199	-----	Z40107	Z40112	-----
	6.2L	383	V8		205197	205197	-----	Z40107	Z40112	-----
	7.2L	440	V8		205197	205197	-----	Z40107	Z40112	-----
1968	5.2L	318	V8		205198	205198	-----	Z40107	Z40112	-----
	5.5L	340	V8		205198	205198	-----	Z40107	Z40112	-----
	5.7L			HEMI	205199	205199	-----	Z40107	Z40112	-----
	6.2L	383	V8		205197	205197	-----	Z40107	Z40112	-----
	7.2L	440	V8		205197	205197	-----	Z40107	Z40112	-----
1967	5.2L	318	V8		205198	205198	-----	Z40107	Z40112	-----
	5.5L	340	V8		205198	205198	-----	Z40107	Z40112	-----
	5.7L			HEMI	205199	205199	-----	Z40107	Z40112	-----
	6.2L	383	V8		205197	205197	-----	Z40107	Z40112	-----
	7.2L	440	V8		205197	205197	-----	Z40107	Z40112	-----
1966	5.2L	318	V8		205198	205198	-----	Z40107	Z40112	-----
	5.5L	340	V8		205198	205198	-----	Z40107	Z40112	-----
	5.7L			HEMI	205199	205199	-----	Z40107	Z40112	-----
	6.2L	383	V8		205197	205197	-----	Z40107	Z40112	-----
	7.2L	440	V8		205197	205197	-----	Z40107	Z40112	-----
1965	5.2L	318	V8		205198	205198	-----	Z40107	Z40112	-----
	5.5L	340	V8		205198	205198	-----	Z40107	Z40112	-----
	5.7L			HEMI	205199	205199	-----	Z40107	Z40112	-----
	6.2L	383	V8		205197	205197	-----	Z40107	Z40112	-----
	7.2L	440	V8		205197	205197	-----	Z40107	Z40112	-----
1964	5.2L	318	V8		205198	205198	Z42012	Z40107	Z40112	-----
	5.5L	340	V8		205198	205198	Z42012	Z40107	Z40112	-----
	5.7L			HEMI	205199	205199	Z42012	Z40107	Z40112	-----
	6.2L	383	V8		205197	205197	Z42012	Z40107	Z40112	-----
	7.2L	440	V8		205197	205197	Z42012	Z40107	Z40112	-----
<b>BELVEDERE</b>										
1970	5.2L	318	V8		205070	205070	Z40031	-----	Z40007	Z40093
	5.2L	318	V8		205192	205192	-----	-----	-----	Z40109
	5.5L	340	V8		205192	205192	-----	-----	-----	Z40109
	6.2L	383	V8		205071	205071	Z40031	-----	Z40007	Z40093
	6.2L	383	V8		205191	205191	-----	-----	-----	Z40109
	6.9L	426	V8		205191	205191	-----	-----	-----	Z40109
	7.2L	440	V8		205071	205071	Z40031	-----	Z40007	Z40093
1969	5.2L	318	V8		205192	205192	-----	-----	-----	Z40109
	5.5L	340	V8		205192	205192	-----	-----	-----	Z40109
	6.2L	383	V8		205191	205191	-----	-----	-----	Z40109
	6.9L	426	V8		205191	205191	-----	-----	-----	Z40109
1968	5.2L	318	V8		205192	205192	-----	-----	-----	Z40109
	5.5L	340	V8		205192	205192	-----	-----	-----	Z40109
	6.2L	383	V8		205191	205191	-----	-----	-----	Z40109

Year	Engine	Notes	Muscle Car Radiator M / T	A / T	Hurricane Engine Driven Fan Shroud	SINGLE Fan Assembly Up to 390HP	DUAL Fan Assembly Up to 390HP	MAX Fan Assembly Over 390HP
<b>PLYMOUTH</b>								
<b>BELVEDERE (CONT.)</b>								
1968	6.9L 426 V8		205191	205191	-----	-----	-----	Z40109
1967	5.2L 318 V8		205192	205192	-----	-----	-----	Z40109
	5.5L 340 V8		205192	205192	-----	-----	-----	Z40109
	6.2L 383 V8		205191	205191	-----	-----	-----	Z40109
	6.9L 426 V8		205191	205191	-----	-----	-----	Z40109
1966	5.2L 318 V8		205192	205192	-----	-----	-----	Z40109
	5.5L 340 V8		205192	205192	-----	-----	-----	Z40109
	6.2L 383 V8		205191	205191	-----	-----	-----	Z40109
	6.9L 426 V8		205191	205191	-----	-----	-----	Z40109
1965	5.2L 318 V8		205192	205192	-----	-----	-----	Z40109
	5.5L 340 V8		205192	205192	-----	-----	-----	Z40109
	6.2L 383 V8		205191	205191	-----	-----	-----	Z40109
	6.9L 426 V8		205191	205191	-----	-----	-----	Z40109
1964	5.2L 318 V8		205192	205192	-----	-----	-----	Z40109
	5.5L 340 V8		205192	205192	-----	-----	-----	Z40109
	6.2L 383 V8		205191	205191	-----	-----	-----	Z40109
	6.9L 426 V8		205191	205191	-----	-----	-----	Z40109
1963	5.2L 318 V8		205192	205192	-----	-----	-----	Z40109
	5.5L 340 V8		205192	205192	-----	-----	-----	Z40109
	6.2L 383 V8		205191	205191	-----	-----	-----	Z40109
	6.9L 426 V8		205191	205191	-----	-----	-----	Z40109
1962	5.2L 318 V8		205192	205192	-----	-----	-----	Z40109
	5.5L 340 V8		205192	205192	-----	-----	-----	Z40109
	6.2L 383 V8		205191	205191	-----	-----	-----	Z40109
	6.9L 426 V8		205191	205191	-----	-----	-----	Z40109
<b>DUSTER</b>								
1976	5.2L 318 V8		205070	205070	Z40031	-----	Z40007	Z40093
	5.2L 318 V8		205198	205198	-----	Z40107	Z40112	-----
	5.5L 340 V8		205198	205198	-----	Z40107	Z40112	-----
	5.7L	HEMI	205199	205199	-----	Z40107	Z40112	-----
	5.9L 360 V8		205070	205070	Z40031	-----	Z40007	Z40093
	6.2L 383 V8		205197	205197	-----	Z40107	Z40112	-----
	7.2L 440 V8		205197	205197	-----	Z40107	Z40112	-----
1975	5.2L 318 V8		205070	205070	Z40031	-----	Z40007	Z40093
	5.2L 318 V8		205198	205198	-----	Z40107	Z40112	-----
	5.5L 340 V8		205198	205198	-----	Z40107	Z40112	-----
	5.7L	HEMI	205199	205199	-----	Z40107	Z40112	-----
	5.9L 360 V8		205070	205070	Z40031	-----	Z40007	Z4009
	6.2L 383 V8		205197	205197	-----	Z40107	Z40112	-----
	7.2L 440 V8		205197	205197	-----	Z40107	Z40112	-----
1974	5.2L 318 V8		205070	205070	Z40031	-----	Z40007	Z40093
	5.2L 318 V8		205198	205198	-----	Z40107	Z40112	-----
	5.5L 340 V8		205198	205198	-----	Z40107	Z40112	-----
	5.7L	HEMI	205199	205199	-----	Z40107	Z40112	-----
	5.9L 360 V8		205070	205070	Z40031	-----	Z40007	Z40093
	6.2L 383 V8		205197	205197	-----	Z40107	Z40112	-----
	7.2L 440 V8		205197	205197	-----	Z40107	Z40112	-----
1973	3.2L 198 L6		205071	205071	Z40031	-----	Z40007	Z40093
	3.7L 225 L6		205071	205071	Z40031	-----	Z40007	Z40093
	5.2L 318 V8		205070	205070	Z40031	-----	Z40007	Z40093
	5.5L 340 V8		205070	205070	Z40031	-----	Z40007	Z40093
	5.2L 318 V8		205198	205198	-----	-----	Z40107	Z40112
	5.5L 340 V8		205198	205198	-----	Z40107	Z40112	-----
	5.7L	HEMI	205199	205199	-----	Z40107	Z40112	-----
	6.2L 383 V8		205197	205197	-----	Z40107	Z40112	-----
	7.2L 440 V8		205197	205197	-----	Z40107	Z40112	-----
1972	3.2L 198 L6		205071	205071	Z40031	-----	Z40007	Z40093
	3.7L 225 L6		205071	205071	Z40031	-----	Z40007	Z40093

Year	Engine			Notes	Muscle Car M / T	Radiator A / T	Hurricane Engine Driven Fan Shroud	SINGLE Fan Assembly Up to 390HP	DUAL Fan Assembly Up to 390HP	MAX Fan Assembly Over 390HP	
<b>PLYMOUTH</b>											
<b>DUSTER (CONT.)</b>											
1972	5.2L	318	V8		205070	205070	Z40031	-----	Z40007	Z40093	
	5.2L	318	V8		205198	205198	-----	Z40107	Z40112	-----	
	5.5L	340	V8		205198	205198	-----	Z40107	Z40112	-----	
	5.5L	340	V8		205070	205070	Z40031	-----	Z40007	Z40093	
	5.7L			HEMI	205199	205199	-----	Z40107	Z40112	-----	
	6.2L	383	V8		205197	205197	-----	Z40107	Z40112	-----	
	7.2L	440	V8		205197	205197	-----	Z40107	Z40112	-----	
1971	3.2L	198	L6		205071	205071	Z40031	-----	Z40007	Z40093	
	3.7L	225	L6		205071	205071	Z40031	-----	Z40007	Z40093	
	5.2L	318	V8		205070	205070	Z40031	-----	Z40007	Z40093	
	5.2L	318	V8		205198	205198	-----	Z40107	Z40112	-----	
	5.5L	340	V8		205198	205198	-----	Z40107	Z40112	-----	
	5.5L	340	V8		205070	205070	Z40031	-----	Z40007	Z40093	
	5.7L			HEMI	205199	205199	-----	Z40107	Z40112	-----	
	6.2L	383	V8		205197	205197	-----	Z40107	Z40112	-----	
	7.2L	440	V8		205197	205197	-----	Z40107	Z40112	-----	
	1970	3.2L	198	L6		205071	205071	Z40031	-----	Z40007	Z40093
3.7L		225	L6		205071	205071	Z40031	-----	Z40007	Z40093	
5.2L		318	V8		205070	205070	Z40031	-----	Z40007	Z40093	
5.2L		318	V8		205198	205198	-----	Z40107	Z40112	-----	
5.5L		340	V8		205198	205198	-----	Z40107	Z40112	-----	
5.5L		340	V8		205070	205070	Z40031	-----	Z40007	Z40093	
5.7L				HEMI	205199	205199	-----	Z40107	Z40112	-----	
6.2L		383	V8		205197	205197	-----	Z40107	Z40112	-----	
7.2L		440	V8		205197	205197	-----	Z40107	Z40112	-----	
<b>FURY</b>											
1978	5.2L	318	V8		205071	205071	Z40031	-----	Z40007	Z40093	
	5.2L	318	V8		205192	205192	-----	-----	-----	Z40109	
	5.5L	340	V8		205192	205192	-----	-----	-----	Z40109	
	5.9L	360	V8		205071	205071	Z40031	-----	Z40007	Z40093	
	6.2L	383	V8		205191	205191	-----	-----	-----	Z40109	
	6.5L	400	V8		205070	205070	Z40031	-----	Z40007	Z40093	
	6.9L	426	V8		205191	205191	-----	-----	-----	Z40109	
	7.2L	440	V8		205070	205070	Z40031	-----	Z40007	Z40093	
	1977	5.2L	318	V8		205071	205071	Z40031	-----	Z40007	Z40093
		5.2L	318	V8		205192	205192	-----	-----	-----	Z40109
5.5L		340	V8		205192	205192	-----	-----	-----	Z40109	
5.9L		360	V8		205071	205071	Z40031	-----	Z40007	Z4009	
6.2L		383	V8		205191	205191	-----	-----	-----	Z40109	
6.5L		400	V8		205070	205070	Z40031	-----	Z40007	Z40093	
6.9L		426	V8		205191	205191	-----	-----	-----	Z40109	
7.2L		440	V8		205070	205070	Z40031	-----	Z40007	Z40093	
1976		5.2L	318	V8		205071	205071	Z40031	-----	Z40007	Z40093
		5.2L	318	V8		205192	205192	-----	-----	-----	Z40109
	5.5L	340	V8		205192	205192	-----	-----	-----	Z40109	
	5.9L	360	V8		205071	205071	Z40031	-----	Z40007	Z40093	
	6.2L	383	V8		205191	205191	-----	-----	-----	Z40109	
	6.5L	400	V8		205070	205070	Z40031	-----	Z40007	Z40093	
	6.9L	426	V8		205191	205191	-----	-----	-----	Z40109	
	7.2L	440	V8		205070	205070	Z40031	-----	Z40007	Z40093	
	1975	5.2L	318	V8		205071	205071	Z40031	-----	Z40007	Z40093
		5.2L	318	V8		205192	205192	-----	-----	-----	Z40109
5.5L		340	V8		205192	205192	-----	-----	-----	Z40109	
5.9L		360	V8		205071	205071	Z40031	-----	Z40007	Z40093	
6.2L		383	V8		205191	205191	-----	-----	-----	Z40109	
6.5L		400	V8		205070	205070	Z40031	-----	Z40007	Z40093	
6.9L		426	V8		205191	205191	-----	-----	-----	Z40109	
7.2L		440	V8		205070	205070	Z40031	-----	Z40007	Z40093	

Year	Engine	Notes	Muscle Car Radiator M / T	A / T	Hurricane Engine Driven Fan Shroud	SINGLE Fan Assembly Up to 390HP	DUAL Fan Assembly Up to 390HP	MAX Fan Assembly Over 390HP
<b>PLYMOUTH</b>								
<b>FURY (CONT.)</b>								
1974	6.5L 400 V8		205071	205071	Z40031	-----	Z40007	Z40093
1973	5.2L 318 V8		205070	205070	Z40031	-----	Z40007	Z40093
	5.9L 360 V8		205070	205070	Z40031	-----	Z40007	Z40093
1972	5.2L 318 V8		205070	205070	Z40031	-----	Z40007	Z40093
	5.9L 360 V8		205070	205070	Z40031	-----	Z40007	Z40093
	6.5L 400 V8		205070	205070	Z40031	-----	Z40007	Z40093
1971	7.2L 440 V8		205070	205070	Z40031	-----	Z40007	Z40093
	5.2L 318 V8		205070	205070	Z40031	-----	Z40007	Z40093
	5.9L 360 V8		205070	205070	Z40031	-----	Z40007	Z40093
1964	6.5L 400 V8		205070	205070	Z40031	-----	Z40007	Z40093
	7.2L 440 V8		205070	205070	Z40031	-----	Z40007	Z40093
	5.2L 318 V8		205192	205192	-----	-----	-----	Z40109
1963	5.5L 340 V8		205192	205192	-----	-----	-----	Z40109
	6.2L 383 V8		205191	205191	-----	-----	-----	Z40109
	6.9L 426 V8		205191	205191	-----	-----	-----	Z40109
1962	5.2L 318 V8		205192	205192	-----	-----	-----	Z40109
	5.5L 340 V8		205192	205192	-----	-----	-----	Z40109
	6.2L 383 V8		205191	205191	-----	-----	-----	Z40109
1962	6.9L 426 V8		205191	205191	-----	-----	-----	Z40109
	<b>GRAND FURY</b>							
1980	5.2L 318 V8		205071	205071	Z40031	-----	Z40007	Z40093
	5.9L 360 V8		205071	205071	Z40031	-----	Z40007	Z40093
1977	5.2L 318 V8		205070	205070	Z40031	-----	Z40007	Z40093
	5.9L 360 V8		205070	205070	Z40031	-----	Z40007	Z40093
	6.5L 400 V8		205071	205071	Z40031	-----	Z40007	Z40093
1976	7.2L 440 V8		205071	205071	Z40031	-----	Z40007	Z40093
	5.2L 318 V8		205070	205070	Z40031	-----	Z40007	Z40093
	5.9L 360 V8		205070	205070	Z40031	-----	Z40007	Z40093
1975	6.5L 400 V8		205071	205071	Z40031	-----	Z40007	Z40093
	7.2L 440 V8		205071	205071	Z40031	-----	Z40007	Z40093
	5.9L 360 V8		205070	205070	Z40031	-----	Z40007	Z40093
1974	6.5L 400 V8		205071	205071	Z40031	-----	Z40007	Z40093
	7.2L 440 V8		205071	205071	Z40031	-----	Z40007	Z40093
	5.2L 318 V8		205070	205070	Z40031	-----	Z40007	Z40093
1973	5.9L 360 V8		205070	205070	Z40031	-----	Z40007	Z40093
	5.2L 318 V8		205070	205070	Z40031	-----	Z40007	Z40093
	5.9L 360 V8		205070	205070	Z40031	-----	Z40007	Z40093
1972	6.5L 400 V8		205071	205071	Z40031	-----	Z40007	Z40093
	7.2L 440 V8		205071	205071	Z40031	-----	Z40007	Z40093
	5.2L 318 V8		205070	205070	Z40031	-----	Z40007	Z40093
1974	5.9L 360 V8		205070	205070	Z40031	-----	Z40007	Z40093
	6.5L 400 V8		205071	205071	Z40031	-----	Z40007	Z40093
	7.2L 440 V8		205071	205071	Z40031	-----	Z40007	Z40093
	6.9L 426 V8		205191	205191	-----	-----	-----	Z40109
1973	5.2L 318 V8		205192	205192	-----	-----	-----	Z40109
	5.5L 340 V8		205192	205192	-----	-----	-----	Z40109
	6.2L 383 V8		205191	205191	-----	-----	-----	Z40109
1972	6.9L 426 V8		205191	205191	-----	-----	-----	Z40109
	5.2L 318 V8		205192	205192	-----	-----	-----	Z40109
	5.5L 340 V8		205192	205192	-----	-----	-----	Z40109
<b>GTX</b>								
1974	5.2L 318 V8		205192	205192	-----	-----	-----	Z40109
	5.5L 340 V8		205192	205192	-----	-----	-----	Z40109
	6.2L 383 V8		205191	205191	-----	-----	-----	Z40109
	6.9L 426 V8		205191	205191	-----	-----	-----	Z40109
1973	5.2L 318 V8		205192	205192	-----	-----	-----	Z40109
	5.5L 340 V8		205192	205192	-----	-----	-----	Z40109
	6.2L 383 V8		205191	205191	-----	-----	-----	Z40109
1972	6.9L 426 V8		205191	205191	-----	-----	-----	Z40109
	5.2L 318 V8		205192	205192	-----	-----	-----	Z40109
1972	5.5L 340 V8		205192	205192	-----	-----	-----	Z40109

Year	Engine			Notes	Muscle Car Radiator M / T	Muscle Car Radiator A / T	Hurricane Engine Driven Fan Shroud	SINGLE Fan Assembly Up to 390HP	DUAL Fan Assembly Up to 390HP	MAX Fan Assembly Over 390HP
<b>PLYMOUTH</b>										
<b>GTX (CONT.)</b>										
1972	6.2L	383	V8		205191	205191	-----	-----	-----	Z40109
	6.9L	426	V8		205191	205191	-----	-----	-----	Z40109
1971	5.2L	318	V8		205192	205192	-----	-----	-----	Z40109
	5.5L	340	V8		205192	205192	-----	-----	-----	Z40109
	6.2L	383	V8		205191	205191	-----	-----	-----	Z40109
	6.9L	426	V8		205191	205191	-----	-----	-----	Z40109
1970	5.2L	318	V8		205192	205192	-----	-----	-----	Z40109
	5.5L	340	V8		205192	205192	-----	-----	-----	Z40109
	6.2L	383	V8		205191	205191	-----	-----	-----	Z40109
	6.9L	426	V8		205191	205191	-----	-----	-----	Z40109
1969	5.2L	318	V8		205192	205192	-----	-----	-----	Z40109
	5.5L	340	V8		205192	205192	-----	-----	-----	Z40109
	6.2L	383	V8		205191	205191	-----	-----	-----	Z40109
	6.9L	426	V8		205191	205191	-----	-----	-----	Z40109
1968	5.2L	318	V8		205192	205192	-----	-----	-----	Z40109
	5.5L	340	V8		205192	205192	-----	-----	-----	Z40109
	6.2L	383	V8		205191	205191	-----	-----	-----	Z40109
	6.9L	426	V8		205191	205191	-----	-----	-----	Z40109
1967	5.2L	318	V8		205192	205192	-----	-----	-----	Z40109
	5.5L	340	V8		205192	205192	-----	-----	-----	Z40109
	6.2L	383	V8		205191	205191	-----	-----	-----	Z40109
	6.9L	426	V8		205191	205191	-----	-----	-----	Z40109
<b>ROAD RUNNER</b>										
1975	5.2L	318	V8		205192	205192	-----	-----	-----	Z40109
	5.5L	340	V8		205192	205192	-----	-----	-----	Z40109
	6.2L	383	V8		205191	205191	-----	-----	-----	Z40109
	6.9L	426	V8		205191	205191	-----	-----	-----	Z40109
1974	5.2L	318	V8		205070	205070	Z40031	-----	Z40007	Z40093
	5.2L	318	V8		205192	205192	-----	-----	-----	Z40109
	5.5L	340	V8		205192	205192	-----	-----	-----	Z40109
	5.9L	360	V8		205070	205070	Z40031	-----	Z40007	Z40093
	6.2L	383	V8		205191	205191	-----	-----	-----	Z40109
	6.9L	426	V8		205191	205191	-----	-----	-----	Z40109
	7.2L	440	V8		205070	205070	Z40031	-----	Z40007	Z40093
1973	5.2L	318	V8		205070	205070	Z40031	-----	Z40007	Z40093
	5.2L	318	V8		205192	205192	-----	-----	-----	Z40109
	5.5L	340	V8		205192	205192	-----	-----	-----	Z40109
	6.2L	383	V8		205191	205191	-----	-----	-----	Z4010
	6.9L	426	V8		205191	205191	-----	-----	-----	Z40109
	7.2L	440	V8		205070	205070	Z40031	-----	Z40007	Z40093
1972	5.2L	318	V8		205070	205070	Z40031	-----	Z40007	Z40093
	5.2L	318	V8		205192	205192	-----	-----	-----	Z40109
	5.5L	340	V8		205192	205192	-----	-----	-----	Z40109
	6.2L	383	V8		205191	205191	-----	-----	-----	Z40109
	6.9L	426	V8		205191	205191	-----	-----	-----	Z40109
	7.2L	440	V8		205070	205070	Z40031	-----	Z40007	Z40093
	7.2L	440	V8		205070	205070	Z40031	-----	Z40007	Z40093
1971	5.2L	318	V8		205192	205192	-----	-----	-----	Z40109
	5.5L	340	V8		205192	205192	-----	-----	-----	Z40109
	6.2L	383	V8		205191	205191	-----	-----	-----	Z40109
	6.9L	426	V8		205191	205191	-----	-----	-----	Z40109
1970	5.2L	318	V8		205192	205192	-----	-----	-----	Z40109
	5.5L	340	V8		205192	205192	-----	-----	-----	Z40109
	6.2L	383	V8		205191	205191	-----	-----	-----	Z40109
	6.9L	426	V8		205191	205191	-----	-----	-----	Z40109
1969	5.2L	318	V8		205192	205192	-----	-----	-----	Z40109
	5.5L	340	V8		205192	205192	-----	-----	-----	Z40109
	6.2L	383	V8		205191	205191	-----	-----	-----	Z40109
	6.9L	426	V8		205191	205191	-----	-----	-----	Z40109

Year	Engine	Notes	Muscle Car Radiator M / T	A / T	Hurricane Engine Driven Fan Shroud	SINGLE Fan Assembly Up to 390HP	DUAL Fan Assembly Up to 390HP	MAX Fan Assembly Over 390HP
<b>PLYMOUTH</b>								
<b>ROAD RUNNER (CONT.)</b>								
1968	5.2L 318 V8		205192	205192	-----	-----	-----	Z40109
	5.5L 340 V8		205192	205192	-----	-----	-----	Z40109
	6.2L 383 V8		205191	205191	-----	-----	-----	Z40109
	6.9L 426 V8		205191	205191	-----	-----	-----	Z40109
<b>SATELLITE-SEBRING</b>								
1974	5.2L 318 V8		205192	205192	-----	-----	-----	Z40109
	5.5L 340 V8		205192	205192	-----	-----	-----	Z40109
	6.2L 383 V8		205191	205191	-----	-----	-----	Z40109
	6.9L 426 V8		205191	205191	-----	-----	-----	Z40109
1973	5.2L 318 V8		205192	205192	-----	-----	-----	Z40109
	5.5L 340 V8		205192	205192	-----	-----	-----	Z40109
	6.2L 383 V8		205191	205191	-----	-----	-----	Z40109
	6.9L 426 V8		205191	205191	-----	-----	-----	Z40109
1972	5.2L 318 V8		205192	205192	-----	-----	-----	Z40109
	5.5L 340 V8		205192	205192	-----	-----	-----	Z40109
	6.2L 383 V8		205191	205191	-----	-----	-----	Z40109
	6.9L 426 V8		205191	205191	-----	-----	-----	Z40109
1971	5.2L 318 V8		205192	205192	-----	-----	-----	Z40109
	5.5L 340 V8		205192	205192	-----	-----	-----	Z40109
	6.2L 383 V8		205191	205191	-----	-----	-----	Z40109
	6.9L 426 V8		205191	205191	-----	-----	-----	Z40109
	7.2L 440 V8		205071	205071	Z40031	-----	Z40007	Z40093
1970	5.2L 318 V8		205070	205070	Z40031	-----	Z40007	Z40093
	5.2L 318 V8		205192	205192	-----	-----	-----	Z40109
	5.5L 340 V8		205192	205192	-----	-----	-----	Z40109
	6.2L 383 V8		205071	205071	Z40031	-----	Z40007	Z40093
	6.2L 383 V8		205191	205191	-----	-----	-----	Z40109
	6.9L 426 V8		205191	205191	-----	-----	-----	Z40109
	7.2L 440 V8		205071	205071	Z40031	-----	Z40007	Z40093
1969	5.2L 318 V8		205192	205192	-----	-----	-----	Z40109
	5.5L 340 V8		205192	205192	-----	-----	-----	Z40109
	6.2L 383 V8		205191	205191	-----	-----	-----	Z40109
	6.9L 426 V8		205191	205191	-----	-----	-----	Z40109
1968	5.2L 318 V8		205192	205192	-----	-----	-----	Z40109
	5.5L 340 V8		205192	205192	-----	-----	-----	Z40109
	6.2L 383 V8		205191	205191	-----	-----	-----	Z40109
	6.9L 426 V8		205191	205191	-----	-----	-----	Z40109
1967	5.2L 318 V8		205192	205192	-----	-----	-----	Z40109
	5.5L 340 V8		205192	205192	-----	-----	-----	Z40109
	6.2L 383 V8		205191	205191	-----	-----	-----	Z40109
	6.9L 426 V8		205191	205191	-----	-----	-----	Z40109
1966	5.2L 318 V8		205192	205192	-----	-----	-----	Z40109
	5.5L 340 V8		205192	205192	-----	-----	-----	Z40109
	6.2L 383 V8		205191	205191	-----	-----	-----	Z40109
	6.9L 426 V8		205191	205191	-----	-----	-----	Z40109
1965	5.2L 318 V8		205192	205192	-----	-----	-----	Z40109
	5.5L 340 V8		205192	205192	-----	-----	-----	Z40109
	6.2L 383 V8		205191	205191	-----	-----	-----	Z40109
	6.9L 426 V8		205191	205191	-----	-----	-----	Z40109
<b>SAVOY</b>								
1964	5.2L 318 V8		205192	205192	-----	-----	-----	Z40109
	5.5L 340 V8		205192	205192	-----	-----	-----	Z40109
	6.2L 383 V8		205191	205191	-----	-----	-----	Z40109
	6.9L 426 V8		205191	205191	-----	-----	-----	Z40109
1963	5.2L 318 V8		205192	205192	-----	-----	-----	Z40109
	5.5L 340 V8		205192	205192	-----	-----	-----	Z40109
	6.2L 383 V8		205191	205191	-----	-----	-----	Z40109

Year	Engine	Notes	Muscle Car M / T	Radiator A / T	Hurricane Engine Driven Fan Shroud	SINGLE Fan Assembly Up to 390HP	DUAL Fan Assembly Up to 390HP	MAX Fan Assembly Over 390HP
<b>PLYMOUTH</b>								
<b>SAVOY (CONT.)</b>								
1963	6.9L 426 V8		205191	205191	-----	-----	-----	Z40109
1962	5.2L 318 V8		205192	205192	-----	-----	-----	Z40109
	5.5L 340 V8		205192	205192	-----	-----	-----	Z40109
	6.2L 383 V8		205191	205191	-----	-----	-----	Z40109
	6.9L 426 V8		205191	205191	-----	-----	-----	Z40109
	5.7L 318 V8	HEMI	205199	205199	-----	Z40107	Z40112	-----
<b>SCAMP</b>								
1976	5.2L 318 V8		205198	205198	-----	Z40107	Z40112	-----
	5.5L 340 V8		205198	205198	-----	Z40107	Z40112	-----
	5.7L 318 V8	HEMI	205199	205199	-----	Z40107	Z40112	-----
	6.2L 383 V8		205197	205197	-----	Z40107	Z40112	-----
	7.2L 440 V8		205197	205197	-----	Z40107	Z40112	-----
1975	5.2L 318 V8		205198	205198	-----	Z40107	Z40112	-----
	5.5L 340 V8		205198	205198	-----	Z40107	Z40112	-----
	5.7L 318 V8	HEMI	205199	205199	-----	Z40107	Z40112	-----
	6.2L 383 V8		205197	205197	-----	Z40107	Z40112	-----
	7.2L 440 V8		205197	205197	-----	Z40107	Z40112	-----
	5.2L 318 V8		205198	205198	-----	Z40107	Z40112	-----
	5.5L 340 V8		205198	205198	-----	Z40107	Z40112	-----
	5.7L 318 V8	HEMI	205199	205199	-----	Z40107	Z40112	-----
	6.2L 383 V8		205197	205197	-----	Z40107	Z40112	-----
	7.2L 440 V8		205197	205197	-----	Z40107	Z40112	-----
1974	5.7L 318 V8	HEMI	205199	205199	-----	Z40107	Z40112	-----
	6.2L 383 V8		205197	205197	-----	Z40107	Z40112	-----
	7.2L 440 V8		205197	205197	-----	Z40107	Z40112	-----
1973	5.2L 318 V8		205198	205198	-----	Z40107	Z40112	-----
	5.5L 340 V8		205198	205198	-----	Z40107	Z40112	-----
	5.7L 318 V8	HEMI	205199	205199	-----	Z40107	Z40112	-----
	6.2L 383 V8		205197	205197	-----	Z40107	Z40112	-----
	7.2L 440 V8		205197	205197	-----	Z40107	Z40112	-----
1972	5.2L 318 V8		205198	205198	-----	Z40107	Z40112	-----
	5.5L 340 V8		205198	205198	-----	Z40107	Z40112	-----
	5.7L 318 V8	HEMI	205199	205199	-----	Z40107	Z40112	-----
	6.2L 383 V8		205197	205197	-----	Z40107	Z40112	-----
	7.2L 440 V8		205197	205197	-----	Z40107	Z40112	-----
1971	5.2L 318 V8		205198	205198	-----	Z40107	Z40112	-----
	5.5L 340 V8		205198	205198	-----	Z40107	Z40112	-----
	5.7L 318 V8	HEMI	205199	205199	-----	Z40107	Z40112	-----
1971	6.2L 383 V8		205197	205197	-----	Z40107	Z40112	-----
	7.2L 440 V8		205197	205197	-----	Z40107	Z40112	-----
<b>VALIANT</b>								
1976	5.2L 318 V8		205070	205070	Z40031	-----	Z40007	Z40093
	5.2L 318 V8		205198	205198	-----	Z40107	Z40112	-----
	5.5L 340 V8		205198	205198	-----	Z40107	Z40112	-----
	5.7L 318 V8	HEMI	205199	205199	-----	Z40107	Z40112	-----
	5.9L 360 V8		205070	205070	Z40031	-----	Z40007	Z40093
	6.2L 383 V8		205197	205197	-----	Z40107	Z40112	-----
	7.2L 440 V8		205197	205197	-----	Z40107	Z40112	-----
	5.2L 318 V8		205070	205070	Z40031	-----	Z40007	Z40093
1975	5.2L 318 V8		205198	205198	-----	Z40107	Z40112	-----
	5.5L 340 V8		205198	205198	-----	Z40107	Z40112	-----
	5.7L 318 V8	HEMI	205199	205199	-----	Z40107	Z40112	-----
	5.9L 360 V8		205070	205070	Z40031	-----	Z40007	Z40093
	6.2L 383 V8		205197	205197	-----	Z40107	Z40112	-----
	7.2L 440 V8		205197	205197	-----	Z40107	Z40112	-----
	5.2L 318 V8		205070	205070	Z40031	-----	Z40007	Z40093
1974	5.2L 318 V8		205198	205198	-----	Z40107	Z40112	-----
	5.5L 340 V8		205198	205198	-----	Z40107	Z40112	-----
	5.7L 318 V8	HEMI	205199	205199	-----	Z40107	Z40112	-----
	5.9L 360 V8		205070	205070	Z40031	-----	Z40007	Z40093
	5.2L 318 V8		205198	205198	-----	Z40107	Z40112	-----

Year	Engine	Notes	Muscle Car Radiator M / T	A / T	Hurricane Engine Driven Fan Shroud	SINGLE Fan Assembly Up to 390HP	DUAL Fan Assembly Up to 390HP	MAX Fan Assembly Over 390HP	
<b>PLYMOUTH</b>									
<b>VALIANT (CONT.)</b>									
1974	6.2L 383 V8		205197	205197	-----	Z40107	Z40112	-----	
	7.2L 440 V8		205197	205197	-----	Z40107	Z40112	-----	
1973	3.2L 198 L6		205071	205071	Z40031	-----	Z40007	Z40093	
	3.7L 225 L6		205071	205071	Z40031	-----	Z40007	Z40093	
	5.2L 318 V8		205070	205070	Z40031	-----	Z40007	Z40093	
	5.2L 318 V8		205198	205198	-----	Z40107	Z40112	-----	
	5.5L 340 V8		205070	205070	Z40031	-----	Z40007	Z40093	
	5.5L 340 V8		205198	205198	-----	Z40107	Z40112	-----	
	5.7L	HEMI	205199	205199	-----	Z40107	Z40112	-----	
	6.2L 383 V8		205197	205197	-----	Z40107	Z40112	-----	
	7.2L 440 V8		205197	205197	-----	Z40107	Z40112	-----	
1972	3.2L 198 L6		205071	205071	Z40031	-----	Z40007	Z40093	
	3.7L 225 L6		205071	205071	Z40031	-----	Z40007	Z40093	
	5.2L 318 V8		205070	205070	Z40031	-----	Z40007	Z40093	
	5.2L 318 V8		205198	205198	-----	Z40107	Z40112	-----	
	5.5L 340 V8		205070	205070	Z40031	-----	Z40007	Z40093	
	5.5L 340 V8		205198	205198	-----	Z40107	Z40112	-----	
	5.7L	HEMI	205199	205199	-----	Z40107	Z40112	-----	
	6.2L 383 V8		205197	205197	-----	Z40107	Z40112	-----	
	7.2L 440 V8		205197	205197	-----	Z40107	Z40112	-----	
1971	3.2L 198 L6		205071	205071	Z40031	-----	Z40007	Z40093	
	3.7L 225 L6		205071	205071	Z40031	-----	Z40007	Z40093	
	5.2L 318 V8		205070	205070	Z40031	-----	Z40007	Z40093	
	5.2L 318 V8		205198	205198	-----	Z40107	Z40112	-----	
	5.5L 340 V8		205070	205070	Z40031	-----	Z40007	Z40093	
	5.5L 340 V8		205198	205198	-----	Z40107	Z40112	-----	
	5.7L	HEMI	205199	205199	-----	Z40107	Z40112	-----	
	6.2L 383 V8		205197	205197	-----	Z40107	Z40112	-----	
	7.2L 440 V8		205197	205197	-----	Z40107	Z40112	-----	
1970	3.2L 198 L6		205071	205071	Z40031	-----	Z40007	Z40093	
	3.7L 225 L6		205071	205071	Z40031	-----	Z40007	Z40093	
	5.2L 318 V8		205198	205198	-----	Z40107	Z40112	-----	
	5.5L 340 V8		205198	205198	-----	Z40107	Z40112	-----	
	5.5L 340 V8		205070	205070	Z40031	-----	Z40007	Z40093	
	5.7L	HEMI	205199	205199	-----	Z40107	Z40112	-----	
	6.2L 383 V8		205197	205197	-----	Z40107	Z40112	-----	
	7.2L 440 V8		205197	205197	-----	Z40107	Z40112	-----	
	1969	2.8L 170 L6		205071	205071	Z40031	-----	Z40007	Z40093
3.7L 225 L6			205071	205071	Z40031	-----	Z40007	Z40093	
5.2L 318 V8			205198	205198	-----	Z40107	Z40112	-----	
5.5L 340 V8			205198	205198	-----	Z40107	Z40112	-----	
5.7L		HEMI	205199	205199	-----	Z40107	Z40112	-----	
6.2L 383 V8			205197	205197	-----	Z40107	Z40112	-----	
7.2L 440 V8			205197	205197	-----	Z40107	Z40112	-----	
1968		2.8L 170 L6		205071	205071	Z40031	-----	Z40007	Z40093
		3.7L 225 L6		205071	205071	Z40031	-----	Z40007	Z40093
	5.2L 318 V8		205198	205198	-----	Z40107	Z40112	-----	
	5.5L 340 V8		205198	205198	-----	Z40107	Z40112	-----	
	5.7L	HEMI	205199	205199	-----	Z40107	Z40112	-----	
	6.2L 383 V8		205197	205197	-----	Z40107	Z40112	-----	
	7.2L 440 V8		205197	205197	-----	Z40107	Z40112	-----	
	1967	5.2L 318 V8		205198	205198	-----	Z40107	Z40112	-----
		5.5L 340 V8		205198	205198	-----	Z40107	Z40112	-----
5.7L		HEMI	205199	205199	-----	Z40107	Z40112	-----	
6.2L 383 V8			205197	205197	-----	Z40107	Z40112	-----	
7.2L 440 V8			205197	205197	-----	Z40107	Z40112	-----	
1966		5.2L 318 V8		205198	205198	-----	Z40107	Z40112	-----
		5.5L 340 V8		205198	205198	-----	Z40107	Z40112	-----
		5.7L	HEMI	205199	205199	-----	Z40107	Z40112	-----

MUSCLE CAR RADIATORS

Year	Engine			Notes	Muscle Car M / T	Radiator A / T	Hurricane Engine Driven Fan Shroud	SINGLE Fan Assembly Up to 390HP	DUAL Fan Assembly Up to 390HP	MAX Fan Assembly Over 390HP
<b>PLYMOUTH</b>										
<b>VALIANT (CONT.)</b>										
1966	6.2L	383	V8		205197	205197	-----	Z40107	Z40112	-----
	7.2L	440	V8		205197	205197	-----	Z40107	Z40112	-----
1965	5.2L	318	V8		205198	205198	-----	Z40107	Z40112	-----
	5.5L	340	V8		205198	205198	-----	Z40107	Z40112	-----
	5.7L	---	---	HEMI	205199	205199	-----	Z40107	Z40112	-----
	6.2L	383	V8		205197	205197	-----	Z40107	Z40112	-----
	7.2L	440	V8		205197	205197	-----	Z40107	Z40112	-----
	1964	5.2L	318	V8		205198	205198	-----	Z40107	Z40112
5.5L	340	V8		205198	205198	-----	Z40107	Z40112	-----	
5.7L	---	---	HEMI	205199	205199	-----	Z40107	Z40112	-----	
6.2L	383	V8		205197	205197	-----	Z40107	Z40112	-----	
7.2L	440	V8		205197	205197	-----	Z40107	Z40112	-----	
1963	5.2L	318	V8		205198	205198	-----	Z40107	Z40112	-----
	5.5L	340	V8		205198	205198	-----	Z40107	Z40112	-----
	5.7L	---	---	HEMI	205199	205199	-----	Z40107	Z40112	-----
	6.2L	383	V8		205197	205197	-----	Z40107	Z40112	-----
	7.2L	440	V8		205197	205197	-----	Z40107	Z40112	-----
	1962	5.2L	318	V8		205198	205198	-----	Z40107	Z40112
5.5L	340	V8		205198	205198	-----	Z40107	Z40112	-----	
5.7L	---	---	HEMI	205199	205199	-----	Z40107	Z40112	-----	
6.2L	383	V8		205197	205197	-----	Z40107	Z40112	-----	
7.2L	440	V8		205197	205197	-----	Z40107	Z40112	-----	
1961	5.2L	318	V8		205198	205198	-----	Z40107	Z40112	-----
	5.5L	340	V8		205198	205198	-----	Z40107	Z40112	-----
	5.7L	---	---	HEMI	205199	205199	-----	Z40107	Z40112	-----
	6.2L	383	V8		205197	205197	-----	Z40107	Z40112	-----
	7.2L	440	V8		205197	205197	-----	Z40107	Z40112	-----
	1960	5.2L	318	V8		205198	205198	-----	Z40107	Z40112
5.5L	340	V8		205198	205198	-----	Z40107	Z40112	-----	
5.7L	---	---	HEMI	205199	205199	-----	Z40107	Z40112	-----	
6.2L	383	V8		205197	205197	-----	Z40107	Z40112	-----	
7.2L	440	V8		205197	205197	-----	Z40107	Z40112	-----	
<b>PONTIAC</b>										
<b>BONNEVILLE</b>										
1964	6.4L	---	---		205231	205231	-----	-----	-----	-----
	6.9L	---	---		205231	205231	-----	-----	-----	-----
1963	6.4L	---	---		205231	205231	-----	-----	-----	-----
	6.9L	---	---		205231	205231	-----	-----	-----	-----
1962	6.4L	---	---		205231	205231	-----	-----	-----	-----
	6.9L	---	---		205231	205231	-----	-----	-----	-----
1961	6.4L	---	---		205231	205231	-----	-----	-----	-----
	6.9L	---	---		205231	205231	-----	-----	-----	-----
<b>CATALINA</b>										
1964	6.4L	---	---		205231	205231	-----	-----	-----	-----
	6.9L	---	---		205231	205231	-----	-----	-----	-----
1963	6.4L	---	---		205231	205231	-----	-----	-----	-----
	6.9L	---	---		205231	205231	-----	-----	-----	-----
1962	6.4L	---	---		205231	205231	-----	-----	-----	-----
	6.9L	---	---		205231	205231	-----	-----	-----	-----
1961	6.4L	---	---		205231	205231	-----	-----	-----	-----
	6.9L	---	---		205231	205231	-----	-----	-----	-----

Year	Engine	Notes	Muscle Car Radiator M / T	A / T	Hurricane Engine Driven Fan Shroud	SINGLE Fan Assembly Up to 390HP	DUAL Fan Assembly Up to 390HP	MAX Fan Assembly Over 390HP
<b>PONTIAC</b>								
<b>FIREBIRD/TRANS AM</b>								
<b>TECH TIP:</b> For the best performance from your Northern Muscle Car Radiator, we highly recommend using an air baffle to direct airflow through the radiator. GM PN14107379 for 1982-92 Camaro w/a V8 Engine can be found at your local dealer!								
2002	5.7L	— —	205232	205232	-----	-----	-----	-----
2001	5.7L	— —	205232	205232	-----	-----	-----	-----
2000	5.7L	— —	205232	205232	-----	-----	-----	-----
1999	5.7L	— —	205232	205232	-----	-----	-----	-----
1998	5.7L	— —	205232	205232	-----	-----	-----	-----
1997	5.7L	— —	205232	205232	-----	-----	-----	-----
1996	5.7L	— —	205232	205232	-----	-----	-----	-----
1995	5.7L	— —	205232	205232	-----	-----	-----	-----
1994	5.7L	— —	205232	205232	-----	-----	-----	-----
1993	5.7L	— —	205232	205232	-----	-----	-----	-----
1992	3.1L 189	V6	205062	205062	Z40023	-----	Z40006	Z4008
	5.0L 305	V8	205062	205062	Z40023	-----	Z40006	Z40082
	5.7L 350	V8	205062	205062	Z40023	-----	Z40006	Z40082
1991	3.1L 189	V6	205062	205062	Z40023	-----	Z40006	Z40082
	5.0L 305	V8	205062	205062	Z40023	-----	Z40006	Z40082
	5.7L 350	V8	205062	205062	Z40023	-----	Z40006	Z40082
1990	3.1L 189	V6	205062	205062	Z40023	-----	Z40006	Z40082
	5.0L 305	V8	205062	205062	Z40023	-----	Z40006	Z40082
	5.7L 350	V8	205062	205062	Z40023	-----	Z40006	Z40082
1989	5.0L 305	V8	205062	205062	Z40023	-----	Z40006	Z40082
	5.7L 350	V8	205062	205062	Z40023	-----	Z40006	Z40082
1988	5.0L 305	V8	205062	205062	Z40023	-----	Z40006	Z40082
	5.7L 350	V8	205062	205062	Z40023	-----	Z40006	Z40082
1987	5.0L 305	V8	205062	205062	Z40023	-----	Z40006	Z40082
	5.7L 350	V8	205062	205062	Z40023	-----	Z40006	Z40082
1986	5.0L 305	V8	205062	205062	Z40023	-----	Z40006	Z40082
	5.7L 350	V8	205062	205062	Z40023	-----	Z40006	Z40082
1985	5.0L 305	V8	205062	205062	Z40023	-----	Z40006	Z40082
1984	2.5L 150	L6	205062	205062	Z40023	-----	Z40006	Z40082
	5.0L 305	V8	205062	205062	Z40023	-----	Z40006	Z40082
1983	2.5L 150	L6	205062	205062	Z40023	-----	Z40006	Z40082
	5.0L 305	V8	205062	205062	Z40023	-----	Z40006	Z40082
1982	2.5L 150	L6	205062	205062	Z40023	-----	Z40006	Z40082
	5.0L 305	V8	205062	205062	Z40023	-----	Z40006	Z40082
1981	3.8L 231	V6	205060	205060	Z40026	-----	Z40010	Z40083
	4.3L 265	V8	205060	205060	Z40026	-----	Z40010	Z40083
	4.9L 301	V8	205060	205060	Z40026	-----	Z40010	Z40083
	5.0L 305	V8	205060	205060	Z40026	-----	Z40010	Z40083
1980	3.8L 231	V6	205060	205060	Z40026	-----	Z40010	Z40083
	4.3L 265	V8	205060	205060	Z40026	-----	Z40010	Z40083
	4.9L 301	V8	205060	205060	Z40026	-----	Z40010	Z40083
	5.0L 305	V8	205060	205060	Z40026	-----	Z40010	Z40083
1979	3.8L 231	V6	205060	205060	Z40026	-----	Z40010	Z40083
	4.9L 301	V8	205060	205060	Z40026	-----	Z40010	Z40083
	5.0L 305	V8	205060	205060	Z40026	-----	Z40010	Z40083
	5.7L 350	V8	205060	205060	Z40026	-----	Z40010	Z40083
	6.6L 400	V8	205060	205060	Z40026	-----	Z40010	Z40083
	6.6L 403	V8	205060	205060	Z40026	-----	Z40010	Z40083
1978	3.8L 231	V6	205060	205060	Z40026	-----	Z40010	Z40083
	4.9L 301	V8	205060	205060	Z40026	-----	Z40010	Z40083
	5.0L 305	V8	205060	205060	Z40026	-----	Z40010	Z40083
	5.7L 350	V8	205060	205060	Z40026	-----	Z40010	Z40083
	6.6L 400	V8	205060	205060	Z40026	-----	Z40010	Z40083
	6.6L 403	V8	205060	205060	Z40026	-----	Z40010	Z40083
1977	5.7L 350	V8	205060	205060	Z40026	-----	Z40010	Z40083
	6.6L 403	V8	205060	205060	Z40026	-----	Z40010	Z40083
1976	4.1L 250	L6	205057	205028	Z40034	-----	-----	Z40084
	5.7L 350	V8	205060	205060	Z40026	-----	Z40010	Z40083
	6.5L 400	V8	205060	205060	Z40026	-----	Z40010	Z40083

Year	Engine			Notes	Muscle Car Radiator M / T	A / T	Hurricane Engine Driven Fan Shroud	SINGLE Fan Assembly Up to 390HP	DUAL Fan Assembly Up to 390HP	MAX Fan Assembly Over 390HP
<b>PONTIAC</b>										
<b>FIREBIRD/TRANS AM (CONT.)</b>										
1976	7.4L	455	V8		205060	205060	Z40026	—	Z40010	Z40083
1975	4.1L	250	L6		205057	205028	Z40034	—	—	Z40084
	5.7L	350	V8		205060	205060	Z40026	—	Z40010	Z40083
	6.5L	400	V8		205060	205060	Z40026	—	Z40010	Z40083
1974	4.1L	250	L6		205057	205028	Z40034	—	—	Z40084
	6.5L	400	V8		205060	205060	Z40026	—	Z40010	Z40083
1973	4.1L	250	L6		205057	205028	Z40034	—	—	Z40084
	5.7L	350	V8		205060	205060	Z40026	—	Z40010	Z40083
	6.5L	400	V8		205060	205060	Z40026	—	Z40010	Z40083
1972	4.1L	250	L6		205057	205028	Z40034	—	—	Z40084
	5.7L	350	V8		205060	205060	Z40026	—	Z40010	Z40083
	6.5L	400	V8		205060	205060	Z40026	—	Z40010	Z40083
1971	4.1L	250	L6		205057	205028	Z40034	—	—	Z40084
	5.7L	350	V8		205060	205060	Z40026	—	Z40010	Z40083
	6.5L	400	V8		205060	205060	Z40026	—	Z40010	Z40083
1970	4.1L	250	L6		205057	205028	Z40034	—	—	Z40084
	5.7L	350	V8		205060	205060	Z40026	—	Z40010	Z40083
	6.5L	400	V8		205060	205060	Z40026	—	Z40010	Z40083
1969	4.1L	250	L6		205125	205072	Z40030	—	Z40013	Z40086
	5.7L	350	V8		205125	205072	Z40030	—	Z40013	Z40086
	6.6L	400	V8	BIG BLOCK	205184	205133	—	—	Z40015	Z40087
1968	4.1L	250	L6		205125	205072	Z40030	—	Z40013	Z40086
	5.7L	350	V8		205125	205072	Z40030	—	Z40013	Z40086
	6.6L	400	V8	BIG BLOCK	205184	205133	—	—	Z40015	Z40087
1967	4.1L	250	L6		205125	205072	Z40030	—	Z40013	Z40086
	5.3L	326	V8		205125	205072	Z40030	—	Z40013	Z40086
	6.6L	400	V8	BIG BLOCK	205184	205133	—	—	Z40015	Z40087
<b>GRAND AM</b>										
1980	3.8L	231	V6		205057	205028	Z40034	—	—	Z40084
	4.3L	265	V8		205056	205027	—	—	Z40006	Z40082
	4.9L	301	V8		205056	205027	—	—	Z40006	Z40082
	5.0L	305	V8		205056	205027	—	—	Z40006	Z40082
				LS ENGINE CONVERSION	205216	205216	—	—	Z40006	Z40082
1979	3.8L	231	V6		205057	205028	Z40034	—	—	Z40084
	4.9L	301	V8		205056	205027	—	—	Z40006	Z40082
	5.0L	305	V8		205056	205027	—	—	Z40006	Z40082
	5.7L	350	V8		205056	205027	—	—	Z40006	Z40082
				LS ENGINE CONVERSION	205216	205216	—	—	Z40006	Z40082
1978	3.8L	231	V6		205056	205027	—	—	Z40006	Z40082
	4.9L	301	V8		205056	205027	—	—	Z40006	Z40082
	5.0L	305	V8		205056	205027	—	—	Z40006	Z40082
	5.7L	350	V8		205056	205027	—	—	Z40006	Z40082
				LS ENGINE CONVERSION	205216	205216	—	—	Z40006	Z40082
1977	4.1L	250	L6		205055	205026	Z40026	—	Z40004	Z40099
	5.7L	350	V8		205055	205026	Z40026	—	Z40004	Z40099
	6.5L	400	V8		205055	205026	Z40026	—	Z40004	Z40099
	7.4L	455	V8		205055	205026	Z40026	—	Z40004	Z40099
				LS ENGINE CONVERSION	205215	205215	Z40026	—	Z40004	Z40099
1976	4.1L	250	L6		205055	205026	Z40026	—	Z40004	Z40099
	4.2L	260	V8		205055	205026	Z40026	—	Z40004	Z40099
	5.7L	350	V8		205055	205026	Z40026	—	Z40004	Z40099
	6.5L	400	V8		205055	205026	Z40026	—	Z40004	Z40099
	6.6L	403	V8		205055	205026	Z40026	—	Z40004	Z40099
	7.4L	455	V8		205055	205026	Z40026	—	Z40004	Z40099
				LS ENGINE CONVERSION	205215	205215	Z40026	—	Z40004	Z40099
1975	4.1L	250	L6		205055	205026	Z40026	—	Z40004	Z40099
	5.7L	350	V8		205055	205026	Z40026	—	Z40004	Z40099
	6.5L	400	V8		205055	205026	Z40026	—	Z40004	Z40099

Year	Engine	Notes	Muscle Car M / T	Radiator A / T	Hurricane Engine Driven Fan Shroud	SINGLE Fan Assembly Up to 390HP	DUAL Fan Assembly Up to 390HP	MAX Fan Assembly Over 390HP
<b>PONTIAC</b>								
<b>GRAND AM (CONT.)</b>								
1975	6.6L 403 V8		205055	205026	Z40026	---	Z40004	Z40099
		LS ENGINE CONVERSION	205215	205215	Z40026	---	Z40004	Z40099
1974	6.5L 400 V8		205055	205026	Z40026	---	Z40004	Z40099
	6.6L 403 V8		205055	205026	Z40026	---	Z40004	Z40099
	7.4L 455 V8		205055	205026	Z40026	---	Z40004	Z40099
		LS ENGINE CONVERSION	205215	205215	Z40026	---	Z40004	Z40099
1973	6.5L 400 V8		205055	205026	Z40026	---	Z40004	Z40099
	6.6L 403 V8		205055	205026	Z40026	---	Z40004	Z40099
	7.4L 455 V8		205055	205026	Z40026	---	Z40004	Z40099
		LS ENGINE CONVERSION	205215	205215	Z40026	---	Z40004	Z40099
<b>GRAND LE MANS</b>								
1981	3.8L 231 V6		205057	205028	Z40034	---	---	Z40084
	4.3L 265 V8		205056	205027	---	---	Z40006	Z40082
	4.9L 301 V8		205056	205027	---	---	Z40006	Z40082
	5.0L 305 V8		205056	205027	---	---	Z40006	Z40082
		LS ENGINE CONVERSION	205216	205216	---	---	Z40006	Z40082
1980	3.8L 231 V6		205057	205028	Z40034	---	---	Z40084
	4.3L 265 V8		205056	205027	---	---	Z40006	Z40082
	4.9L 301 V8		205056	205027	---	---	Z40006	Z40082
	5.0L 305 V8		205056	205027	---	---	Z40006	Z40082
		LS ENGINE CONVERSION	205216	205216	---	---	Z40006	Z40082
1979	3.8L 231 V6		205057	205028	Z40034	---	---	Z40084
	4.3L 265 V8		205056	205027	---	---	Z40006	Z40082
	4.9L 301 V8		205056	205027	---	---	Z40006	Z40082
	5.0L 305 V8		205056	205027	---	---	Z40006	Z40082
		LS ENGINE CONVERSION	205216	205216	---	---	Z40006	Z40082
1978	3.8L 231 V6		205056	205027	---	---	Z40006	Z40082
	4.3L 265 V8		205056	205027	---	---	Z40006	Z40082
	4.9L 301 V8		205056	205027	---	---	Z40006	Z40082
	5.0L 305 V8		205056	205027	---	---	Z40006	Z40082
		LS ENGINE CONVERSION	205216	205216	---	---	Z40006	Z40082
<b>GRAND PRIX</b>								
1987	3.8L 231 V6		205057	205028	Z40034	---	---	Z40084
	4.3L 262 V6		205057	205028	Z40034	---	---	Z40084
	5.0L 305 V8		205056	205027	---	---	Z40006	Z40082
		LS ENGINE CONVERSION	205216	205216	---	---	Z40006	Z40082
1986	3.8L 231 V6		205057	205028	Z40034	---	---	Z40084
	4.3L 262 V6		205057	205028	Z40034	---	---	Z40084
	5.0L 305 V8		205056	205027	---	---	Z40006	Z40082
		LS ENGINE CONVERSION	205216	205216	---	---	Z40006	Z40082
1985	5.0L 305 V8		205056	205027	---	---	Z40006	Z40082
	3.8L 231 V6		205057	205028	Z40034	---	---	Z40084
		LS ENGINE CONVERSION	205216	205216	---	---	Z40006	Z40082
1984	3.8L 231 V6		205057	205028	Z40034	---	---	Z40084
	5.0L 305 V8		205056	205027	---	---	Z40006	Z40082
		LS ENGINE CONVERSION	205216	205216	---	---	Z40006	Z40082
1983	3.8L 231 V6		205057	205028	Z40034	---	---	Z40084
	5.0L 305 V8		205056	205027	---	---	Z40006	Z40082
		LS ENGINE CONVERSION	205216	205216	---	---	Z40006	Z40082
1982	3.8L 231 V6		205057	205028	Z40034	---	---	Z40084
	4.1L 252 V6		205057	205028	Z40034	---	---	Z40084
	4.4L 267 V8		205056	205027	---	---	Z40006	Z40082
	5.0L 305 V8		205056	205027	---	---	Z40006	Z40082
		LS ENGINE CONVERSION	205216	205216	---	---	Z40006	Z40082
1981	3.8L 231 V6		205057	205028	Z40034	---	---	Z40084
	4.9L 301 V8		205056	205027	---	---	Z40006	Z40082
	5.0L 305 V8		205056	205027	---	---	Z40006	Z40082
		LS ENGINE CONVERSION	205216	205216	---	---	Z40006	Z40082

Year	Engine			Notes	Muscle Car Radiator M / T	A / T	Hurricane Engine Driven Fan Shroud	SINGLE Fan Assembly Up to 390HP	DUAL Fan Assembly Up to 390HP	MAX Fan Assembly Over 390HP	
<b>PONTIAC</b>											
<b>GRAND PRIX (CONT.)</b>											
1980	3.8L	231	V6		205057	205028	Z40034	—	—	Z40084	
	4.3L	265	V6		205056	205027	—	—	Z40006	Z40082	
	4.9L	301	V8		205056	205027	—	—	Z40006	Z40082	
	5.0L	305	V8		205056	205027	—	—	Z40006	Z40082	
				LS ENGINE CONVERSION	205216	205216	—	—	Z40006	Z40082	
1979	3.8L	231	V6	CHECK OEM DIMENSIONS	205056	205027	—	—	Z40006	Z40082	
	3.8L	231	V6	CHECK OEM DIMENSIONS	205057	205028	Z40034	—	—	Z40084	
	4.9L	301	V8		205056	205027	—	—	Z40006	Z40082	
	5.0L	305	V8		205056	205027	—	—	Z40006	Z40082	
				LS ENGINE CONVERSION	205216	205216	—	—	Z40006	Z40082	
1978	3.8L	231	V6		205056	205027	—	—	Z40006	Z40082	
	4.9L	301	V8		205056	205027	—	—	Z40006	Z40082	
	5.0L	305	V8		205056	205027	—	—	Z40006	Z40082	
				LS ENGINE CONVERSION	205216	205216	—	—	Z40006	Z40082	
	1977	4.9L	301	V8		205055	205026	Z40026	—	Z40004	Z40099
5.7L		350	V8		205055	205026	Z40026	—	Z40004	Z40099	
6.5L		400	V8		205055	205026	Z40026	—	Z40004	Z40099	
6.6L		403	V8		205055	205026	Z40026	—	Z40004	Z40099	
				LS ENGINE CONVERSION	205215	205215	Z40026	—	Z40004	Z40099	
1976	5.7L	350	V8		205055	205026	Z40026	—	Z40004	Z40099	
	6.5L	400	V8		205055	205026	Z40026	—	Z40004	Z40099	
	7.4L	755	V8		205055	205026	Z40026	—	Z40004	Z40099	
				LS ENGINE CONVERSION	205215	205215	Z40026	—	Z40004	Z40099	
	1975	6.5L	400	V8		205055	205026	Z40026	—	Z40004	Z40099
7.4L		755	V8		205055	205026	Z40026	—	Z40004	Z40099	
				LS ENGINE CONVERSION	205215	205215	Z40026	—	Z40004	Z40099	
1974		6.5L	400	V8		205055	205026	Z40026	—	Z40004	Z40099
		7.4L	755	V8		205055	205026	Z40026	—	Z40004	Z40099
				LS ENGINE CONVERSION	205215	205215	Z40026	—	Z40004	Z40099	
	1973	6.5L	400	V8		205055	205026	Z40026	—	Z40004	Z40099
		7.4L	755	V8		205055	205026	Z40026	—	Z40004	Z40099
				LS ENGINE CONVERSION	205215	205215	Z40026	—	Z40004	Z40099	
1972		6.5L	400	V8		205055	205026	Z40026	—	Z40004	Z40099
		7.4L	755	V8		205055	205026	Z40026	—	Z40004	Z40099
				LS ENGINE CONVERSION	205215	205215	Z40026	—	Z40004	Z40099	
	1971	7.4L	755	V8		205055	205026	Z40026	—	Z40004	Z40099
					LS ENGINE CONVERSION	205215	205215	Z40026	—	Z40004	Z40099
1970		6.5L	400	V8		205055	205026	Z40026	—	Z40004	Z40099
		7.4L	755	V8		205055	205026	Z40026	—	Z40004	Z40099
					LS ENGINE CONVERSION	205215	205215	Z40026	—	Z40004	Z40099
	1969	6.5L	400	V8		205055	205026	Z40026	—	Z40004	Z40099
		7.0L	428	V8		205055	205026	Z40026	—	Z40004	Z40099
				LS ENGINE CONVERSION	205215	205215	Z40026	—	Z40004	Z4009	
1968		6.5L	400	V8		205055	205026	Z40026	—	Z40004	Z40099
		7.0L	428	V8		205055	205026	Z40026	—	Z40004	Z40099
				LS ENGINE CONVERSION	205215	205215	Z40026	—	Z40004	Z40099	
	1967	6.5L	400	V8	CHECK OEM DIMENSIONS	205055	205026	Z40026	—	Z40004	Z40099
		6.5L	400	V8	CHECK OEM DIMENSIONS	205056	205027	—	—	Z40006	Z40082
7.0L		428	V8		205055	205026	Z40026	—	Z40004	Z40099	
				LS ENGINE CONVERSION	205215	205215	Z40026	—	Z40004	Z40099	
				LS ENGINE CONVERSION	205216	205216	—	—	Z40006	Z40082	
1966	6.3L	389	V8		205056	205027	—	—	Z40006	Z40082	
	6.3L				205231	205231	—	—	—	—	
	6.9L				205231	205231	—	—	—	—	
	6.9L	421	V8	CHECK OEM DIMENSIONS	205055	205026	Z40026	—	Z40004	Z40099	
	6.9L	421	V8	CHECK OEM DIMENSIONS	205056	205027	—	—	Z40006	Z40082	
			LS ENGINE CONVERSION	205215	205215	Z40026	—	Z40004	Z40099		

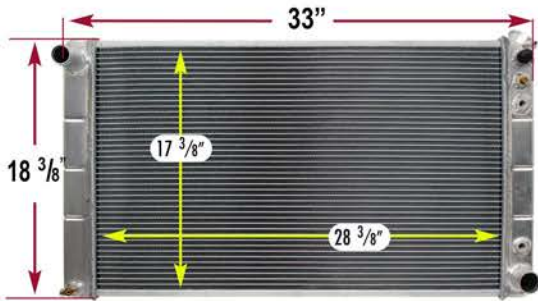
Year	Engine			Notes	Muscle Car Radiator M / T	A / T	Hurricane Engine Driven Fan Shroud	SINGLE Fan Assembly Up to 390HP	DUAL Fan Assembly Up to 390HP	MAX Fan Assembly Over 390HP
<b>PONTIAC</b>										
<b>GRAND PRIX (CONT.)</b>										
1966				LS ENGINE CONVERSION	205216	205216	---	---	Z40006	Z40082
1965	6.3L	389	V8		205056	205027	---	---	Z40006	Z40082
	6.3L				205231	205231	---	---	---	---
	6.9L				205231	205231	---	---	---	---
	6.9L	421	V8		205056	205027	---	---	Z40006	Z40082
				LS ENGINE CONVERSION	205216	205216	---	---	Z40006	Z40082
1964	6.3L				205231	205231	---	---	---	---
	6.9L				205231	205231	---	---	---	---
1963	6.3L				205231	205231	---	---	---	---
	6.9L				205231	205231	---	---	---	---
1962	6.3L				205231	205231	---	---	---	---
	6.9L				205231	205231	---	---	---	---
<b>GRAND VILLE</b>										
1976	5.7L	350	V8		205055	205026	Z40026	---	Z40004	Z40099
	6.5L	400	V8		205055	205026	Z40026	---	Z40004	Z40099
	7.4L	455	V8		205055	205026	Z40026	---	Z40004	Z40099
1975	6.5L	400	V8		205055	205026	Z40026	---	Z40004	Z40099
	7.4L	455	V8		205055	205026	Z40026	---	Z40004	Z40099
1974	6.5L	400	V8		205055	205026	Z40026	---	Z40004	Z40099
	7.4L	455	V8		205055	205026	Z40026	---	Z40004	Z40099
1973	5.7L	350	V8		205055	205026	Z40026	---	Z40004	Z40099
	6.5L	400	V8		205055	205026	Z40026	---	Z40004	Z40099
	7.4L	455	V8		205055	205026	Z40026	---	Z40004	Z40099
1972	6.5L	400	V8		205055	205026	Z40026	---	Z40004	Z40099
	7.4L	455	V8		205055	205026	Z40026	---	Z40004	Z40099
1971	5.7L	350	V8		205055	205026	Z40026	---	Z40004	Z40099
	6.5L	400	V8		205055	205026	Z40026	---	Z40004	Z40099
	7.4L	455	V8		205055	205026	Z40026	---	Z40004	Z40099
<b>LEMANS/TEMPEST/GTO</b>										
1981	3.8L	231	V6		205057	205028	Z40034	---	---	Z40084
	4.3L	265	V8		205056	205027	---	---	Z40006	Z40082
	4.9L	301	V8		205056	205027	---	---	Z40006	Z40082
	5.0L	305	V8		205056	205027	---	---	Z40006	Z40082
				LS ENGINE CONVERSION	205216	205216	---	---	Z40006	Z40082
1980	3.8L	231	V6		205057	205028	Z40034	---	---	Z40084
	4.9L	301	V8		205056	205027	---	---	Z40006	Z40082
	5.0L	305	V8		205056	205027	---	---	Z40006	Z40082
				LS ENGINE CONVERSION	205216	205216	---	---	Z40006	Z40082
				CHECK OEM DIMENSIONS	205056	205027	---	---	Z40006	Z40082
1979	3.8L	231	V6	CHECK OEM DIMENSIONS	205057	205028	Z40034	---	---	Z40084
	4.9L	301	V8		205056	205027	---	---	Z40006	Z40082
	5.0L	305	V8		205056	205027	---	---	Z40006	Z40082
	5.7L	350	V8		205056	205027	---	---	Z40006	Z40082
				LS ENGINE CONVERSION	205216	205216	---	---	Z40006	Z40082
				CHECK OEM DIMENSIONS	205056	205027	---	---	Z40006	Z40082
				CHECK OEM DIMENSIONS	205057	205028	Z40034	---	---	Z40084
1978	3.8L	231	V6		205057	205028	Z40034	---	---	Z40084
	4.9L	301	V8		205056	205027	---	---	Z40006	Z40082
	5.0L	305	V8		205056	205027	---	---	Z40006	Z40082
	5.7L	350	V8		205056	205027	---	---	Z40006	Z40082
				LS ENGINE CONVERSION	205216	205216	---	---	Z40006	Z40082
1977	3.8L	231	V6		205055	205026	Z40026	---	Z40004	Z40099
	4.9L	301	V8		205055	205026	Z40026	---	Z40004	Z40099
	5.7L	350	V8		205055	205026	Z40026	---	Z40004	Z40099
	6.5L	400	V8		205055	205026	Z40026	---	Z40004	Z40099
	6.6L	403	V8		205055	205026	Z40026	---	Z40004	Z40099
				LS ENGINE CONVERSION	205216	205216	---	---	Z40006	Z40082

Year	Engine			Notes	Muscle Car Radiator M / T	Radiator A / T	Hurricane Engine Driven Fan Shroud	SINGLE Fan Assembly Up to 390HP	DUAL Fan Assembly Up to 390HP	MAX Fan Assembly Over 390HP
<b>PONTIAC</b>										
<b>LEMANS/TEMPEST/GTO (CONT.)</b>										
1977				LS ENGINE CONVERSION	205215	205215	Z40026	---	Z40004	Z40099
1976	4.1L	250	L6		205055	205026	Z40026	---	Z40004	Z40099
	4.2L	260	V8		205055	205026	Z40026	---	Z40004	Z40099
	5.7L	350	V8		205055	205026	Z40026	---	Z40004	Z40099
	6.5L	400	V8		205055	205026	Z40026	---	Z40004	Z40099
	7.4L	455	V8		205055	205026	Z40026	---	Z40004	Z40099
LS ENGINE CONVERSION					205215	205215	Z40026	---	Z40004	Z40099
1975	4.1L	250	L6		205055	205026	Z40026	---	Z40004	Z40099
	5.7L	350	V8		205055	205026	Z40026	---	Z40004	Z40099
	6.5L	400	V8		205055	205026	Z40026	---	Z40004	Z40099
LS ENGINE CONVERSION					205215	205215	Z40026	---	Z40004	Z40099
1974	4.1L	250	L6		205055	205026	Z40026	---	Z40004	Z40099
	5.7L	350	V8		205055	205026	Z40026	---	Z40004	Z40099
	6.5L	400	V8		205055	205026	Z40026	---	Z40004	Z40099
	7.4L	455	V8		205055	205026	Z40026	---	Z40004	Z40099
LS ENGINE CONVERSION					205215	205215	Z40026	---	Z40004	Z40099
1973	4.1L	250	L6		205055	205026	Z40026	---	Z40004	Z40099
	5.7L	350	V8		205055	205026	Z40026	---	Z40004	Z40099
	6.5L	400	V8		205055	205026	Z40026	---	Z40004	Z40099
	7.4L	455	V8		205055	205026	Z40026	---	Z40004	Z40099
LS ENGINE CONVERSION					205215	205215	Z40026	---	Z40004	Z40099
1972	4.1L	250	L6		205055	205026	Z40026	---	Z40004	Z40099
	5.7L	350	V8		205055	205026	Z40026	---	Z40004	Z40099
	6.5L	400	V8		205055	205026	Z40026	---	Z40004	Z40099
	7.4L	455	V8		205055	205026	Z40026	---	Z40004	Z40099
LS ENGINE CONVERSION					205215	205215	Z40026	---	Z40004	Z40099
1971	4.1L	250	L6		205055	205026	Z40026	---	Z40004	Z40099
	5.7L	350	V8		205055	205026	Z40026	---	Z40004	Z40099
	6.5L	400	V8		205055	205026	Z40026	---	Z40004	Z40099
	7.4L	455	V8		205055	205026	Z40026	---	Z40004	Z40099
LS ENGINE CONVERSION					205215	205215	Z40026	---	Z40004	Z40099
1970	4.1L	250	L6		205055	205026	Z40026	---	Z40004	Z40099
	5.7L	350	V8		205055	205026	Z40026	---	Z40004	Z40099
	6.5L	400	V8		205055	205026	Z40026	---	Z40004	Z40099
	7.3L	445	V8		205055	205026	Z40026	---	Z40004	Z40099
	LS ENGINE CONVERSION					205215	205215	Z40026	---	Z40004
1969	4.1L	250	L6		205055	205026	Z40026	---	Z40004	Z40099
	5.7L	350	V8		205055	205026	Z40026	---	Z40004	Z40099
	6.5L	400	V8		205055	205026	Z40026	---	Z40004	Z40099
LS ENGINE CONVERSION					205215	205215	Z40026	---	Z40004	Z40099
1968	4.1L	250	L6		205055	205026	Z40026	---	Z40004	Z40099
	5.7L	350	V8		205055	205026	Z40026	---	Z40004	Z4009
	6.5L	400	V8		205055	205026	Z40026	---	Z40004	Z40099
LS ENGINE CONVERSION					205215	205215	Z40026	---	Z40004	Z40099
1967	---	---	V8	W/AC	205194	205194	-----	-----	-----	Z40109
1966	---	---	V8	W/AC, BIG BLOCK	205194	205194	-----	-----	-----	Z40109
1965	---	---	V8	W/AC	205194	205194	-----	-----	-----	Z40109
1964	---	---	V8	W/AC	205194	205194	-----	-----	-----	Z40109
<b>STAR CHIEF</b>										
1964	6.4L	---	---		205231	205231	-----	-----	-----	-----
	6.9L	---	---		205231	205231	-----	-----	-----	-----
1963	6.4L	---	---		205231	205231	-----	-----	-----	-----
	6.9L	---	---		205231	205231	-----	-----	-----	-----

Year	Engine			Notes	Muscle Car Radiator M / T    A / T		Hurricane Engine Driven Fan Shroud	SINGLE Fan Assembly Up to 390HP	DUAL Fan Assembly Up to 390HP	MAX Fan Assembly Over 390HP
<b>PONTIAC</b>										
<b>STAR CHIEF (CONT.)</b>										
1962	6.4L	—	—		205231	205231	-----	-----	-----	-----
	6.9L	—	—		205231	205231	-----	-----	-----	-----
1961	6.4L	—	—		205231	205231	-----	-----	-----	-----
	6.9L	—	—		205231	205231	-----	-----	-----	-----
<b>VENTURA</b>										
1977	3.8L	231	V6		205056	205027	-----	-----	Z40006	Z40082
	4.9L	301	V6		205056	205027	-----	-----	Z40006	Z40082
	5.7L	350	V8		205056	205027	-----	-----	Z40006	Z40082
1976	4.1L	250	L6	CHECK OEM DIMENSIONS	205056	205027	-----	-----	Z40006	Z40082
	4.1L	250	L6	CHECK OEM DIMENSIONS	205057	205028	Z40034	-----	-----	Z40084
	4.2L	260	V8		205056	205027	-----	-----	Z40006	Z40082
	5.7L	350	V8		205056	205027	-----	-----	Z40006	Z40082
1975	4.1L	250	L6	CHECK OEM DIMENSIONS	205056	205027	-----	-----	Z40006	Z40082
	4.1L	250	L6	CHECK OEM DIMENSIONS	205057	205028	Z40034	-----	-----	Z40084
	4.2L	260	V8		205056	205027	-----	-----	Z40006	Z40082
	5.7L	350	V8		205056	205027	-----	-----	Z40006	Z40082
1974	4.1L	250	L6		205057	205028	Z40034	-----	-----	Z40084
	5.7L	350	V8		205056	205027	-----	-----	Z40006	Z40082
1973	4.1L	250	L6		205057	205028	Z40034	-----	-----	Z40084
1972	4.1L	250	L6		205057	205028	Z40034	-----	-----	Z40084
	5.0L	307	V8		205057	205028	Z40034	-----	-----	Z40084
	5.7L	350	V8		205057	205028	Z40034	-----	-----	Z40084

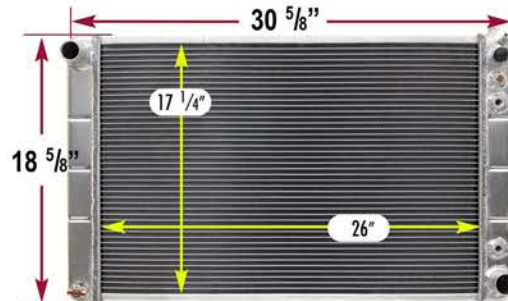
# MUSCLE CAR RADIATOR Illustrations

➤ **205026** : '64-'86 GM Cars, '72-'98 GMC Trucks/Vans



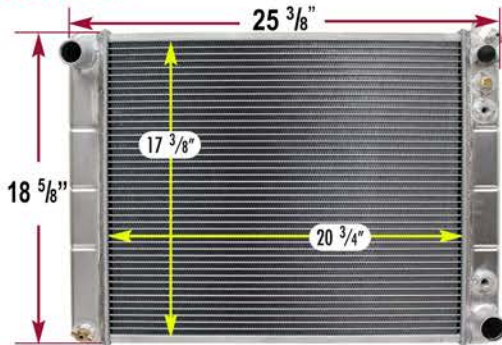
Overall Depth: 3 1/8"    Core Depth: 2 1/4"  
 Inlet: 1 5/16" - 1 1/2" Dual    Outlet: 1 1/2"    TOC: Yes    EOC: No  
 Hurricane Engine Driven Fan Shroud: Z40026  
 Electric Fan Assembly: Z40004, Z40099  
 Note: for M/T use 205055, For LS Engine Conversion use 205215.

➤ **205027** : '65-'90 GM Cars, '72-'87 GMC Trucks/Vans



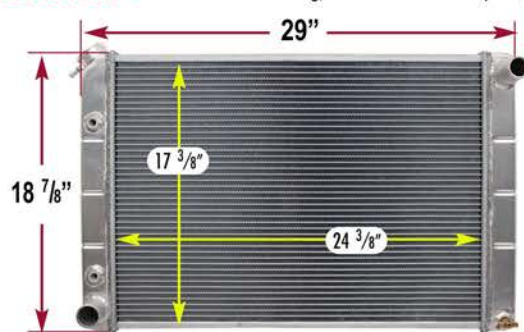
Overall Depth: 3 1/8"    Core Depth: 2 1/4"  
 Inlet: 1 5/16" - 1 1/2" Dual    Outlet: 1 1/2"    TOC: Yes    EOC: No  
 Electric Fan Assembly: Z40006, Z40082  
 Note: For M/T use 205056, For LS Engine Conversion use 205216.

➤ **205028** : '66-'88 GM Cars, '91-'93 GMC Trucks



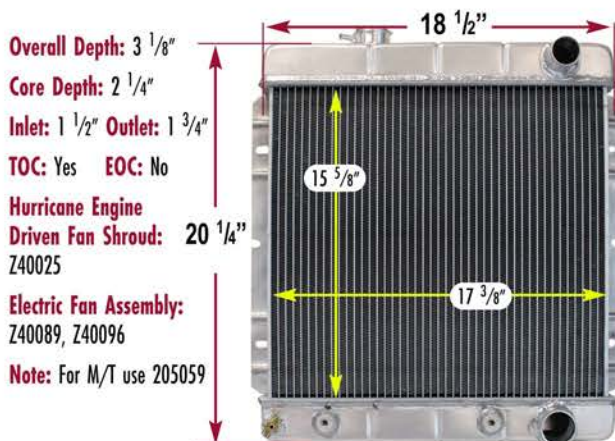
Overall Depth: 3 1/8"    Core Depth: 2 1/4"  
 Inlet: 1 5/16" - 1 1/2" Dual    Outlet: 1 1/2"    TOC: Yes    EOC: No  
 Hurricane Engine Driven Fan Shroud: Z40034  
 Electric Fan Assembly: Z40088, Z40084  
 Note: For M/T use 205057

➤ **205029** : '79-'93 Ford Mustang, '80-'88 Ford T-Bird/Cougar



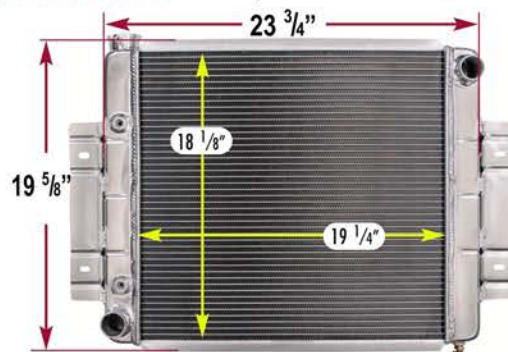
Overall Depth: 3 1/8"    Core Depth: 2 1/4"  
 Inlet: 1 1/4"    Outlet: 1 1/2"    TOC: Yes    EOC: No  
 Hurricane Engine Driven Fan Shroud: Z40035  
 Electric Fan Assembly: Z40014  
 Note: For M/T use 205058

➤ **205030** : '60-'67 Ford Cars, '60-'67 Mercury Comet



Overall Depth: 3 1/8"    Core Depth: 2 1/4"  
 Inlet: 1 1/2"    Outlet: 1 3/4"  
 TOC: Yes    EOC: No  
 Hurricane Engine Driven Fan Shroud: Z40025  
 Electric Fan Assembly: Z40089, Z40096  
 Note: For M/T use 205059

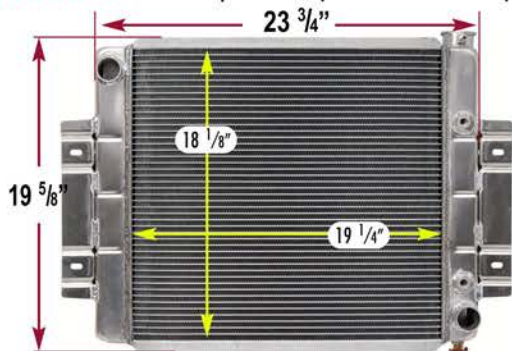
➤ **205053** : '73-'86 Jeep CJ Series



Overall Depth: 3 1/8"    Core Depth: 2 1/4"  
 Inlet: 1 1/2"    Outlet: 1 1/2"    TOC: Yes    EOC: No  
 Hurricane Engine Driven Fan Shroud: Z40024  
 Electric Fan Assembly: Z41035, Z40098, Z40094  
 Note: 28" Overall width including the brackets.

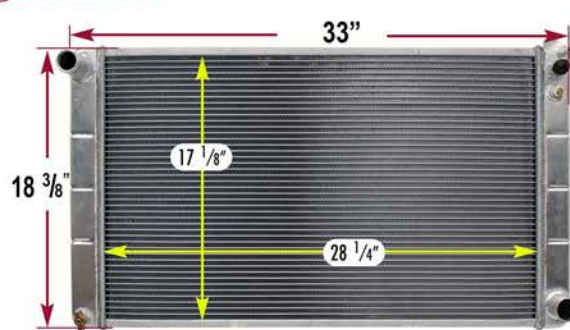
# MUSCLE CAR RADIATOR Illustrations

➤ **205054** : '73-'86 Jeep CJ Series (w/V8 Eng. Conversion)



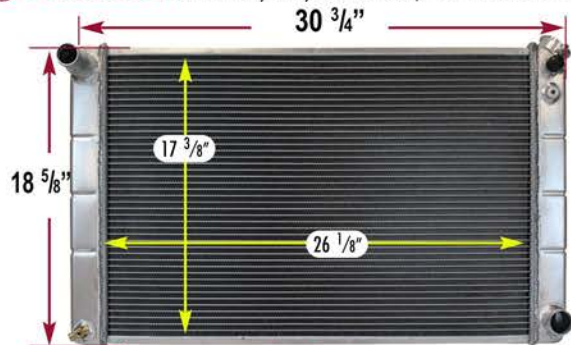
**Overall Depth:** 3 1/8" **Core Depth:** 2 1/4"  
**Inlet:** 1 1/2" **Outlet:** 1 1/2" **TOC:** Yes **EOC:** No  
**Hurricane Engine Driven Fan Shroud:** Z40024  
**Electric Fan Assembly:** Z41035, Z40094, Z40098  
**Note:** 28" Overall width including the brackets.

➤ **205055** : '64-'85 GM/Olds/ Pontiac Cars, '73-'98 GM HD Trucks



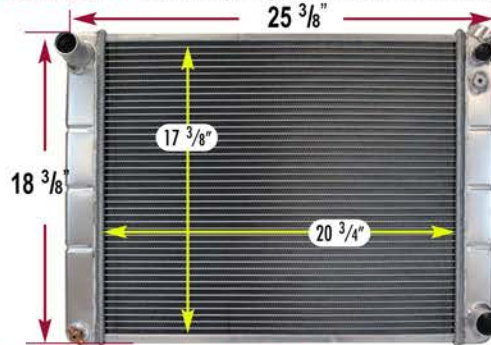
**Overall Depth:** 3 1/8" **Core Depth:** 2 1/4"  
**Inlet:** 1 5/16" - 1 1/2" Dual **Outlet:** 1 1/2" **TOC:** No **EOC:** No  
**Hurricane Engine Driven Fan Shroud:** Z40026  
**Electric Fan Assembly:** Z40004, Z40099  
**Note:** For A/T use 205026

➤ **205056** : '67-'87 GM/Olds/Pontiac Cars; '73-'81 GM HD Trucks



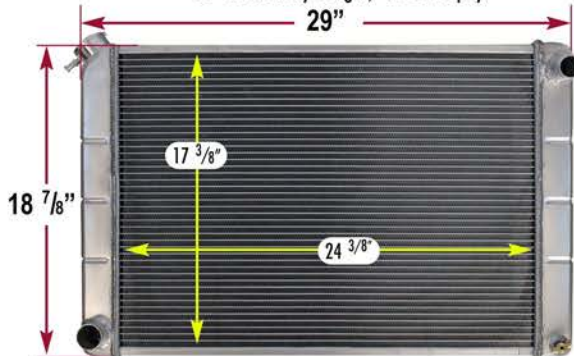
**Overall Depth:** 3 1/8" **Core Depth:** 2 1/4"  
**Inlet:** 1 5/16" - 1 1/2" Dual **Outlet:** 1 1/2" **TOC:** No **EOC:** No  
**Hurricane Engine Driven Fan Shroud:** Z40023  
**Electric Fan Assembly:** Z40006, Z40082  
**Note:** For A/T use 205027

➤ **205057** : '68-'90 GM/Olds/Pontiac Cars; '91-'93 GM HD Trucks



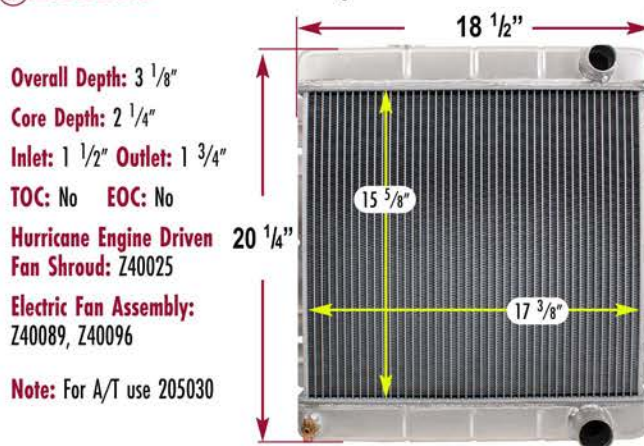
**Overall Depth:** 3 1/8" **Core Depth:** 2 1/4"  
**Inlet:** 1 5/16" - 1 1/2" Dual **Outlet:** 1 1/2" **TOC:** No **EOC:** No  
**Hurricane Engine Driven Fan Shroud:** Z40034  
**Electric Fan Assembly:** Z40084, Z40088  
**Note:** For A/T use 205028

➤ **205058** : '79-'93 Ford Mustang & T-Bird;  
'80-'88 Mercury Cougar, '78-'83 Zephyr



**Overall Depth:** 3 1/8" **Core Depth:** 2 1/4"  
**Inlet:** 1 1/4" **Outlet:** 1 1/2" **TOC:** No **EOC:** No  
**Hurricane Engine Driven Fan Shroud:** Z40035  
**Electric Fan Assembly:** Z40014 **Note:** For A/T use 205029

➤ **205059** : '64-'66 Ford Mustang

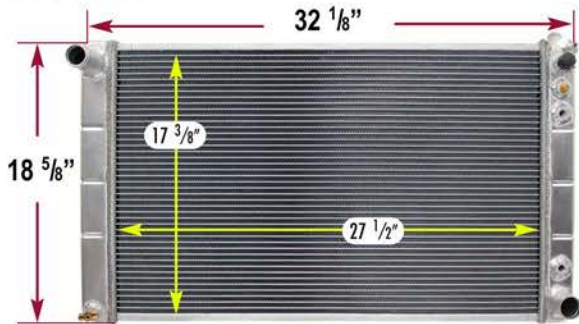


**Overall Depth:** 3 1/8" **Core Depth:** 2 1/4"  
**Inlet:** 1 1/2" **Outlet:** 1 3/4" **TOC:** No **EOC:** No  
**Hurricane Engine Driven Fan Shroud:** Z40025  
**Electric Fan Assembly:** Z40089, Z40096

**Note:** For A/T use 205030

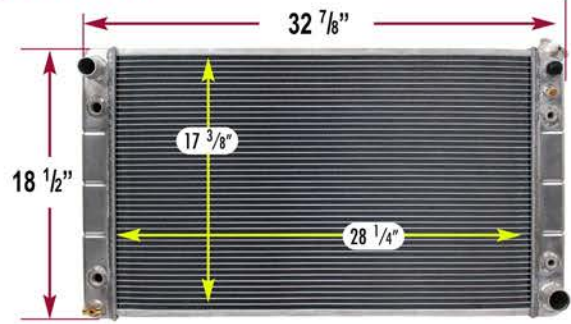
# MUSCLE CAR RADIATOR Illustrations

➤ **205060** : '70-'81 Pontiac Firebird & TransAm



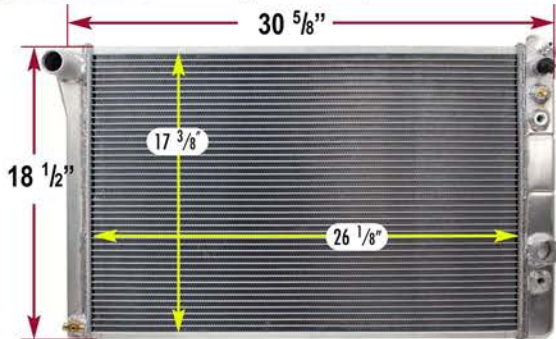
**Overall Depth:** 3 1/8"    **Core Depth:** 2 1/4"  
**Inlet:** 1 5/16" - 1 1/2" Dual    **Outlet:** 1 1/2"    **TOC:** Yes    **EOC:** No  
**Hurricane Engine Driven Fan Shroud:** Z40026  
**Electric Fan Assembly:** Z40010, Z40083

➤ **205061** : '88-'98 GMC HD Truck



**Overall Depth:** 3 1/8"    **Core Depth:** 2 1/4"  
**Inlet:** 1 1/4"    **Outlet:** 1 1/2"    **TOC:** 1/2" Inverted Flare - 10" CTRS    **EOC:** Yes  
**Hurricane Engine Driven Fan Shroud:** Z40026  
**Electric Fan Assembly:** Z40004, Z40099

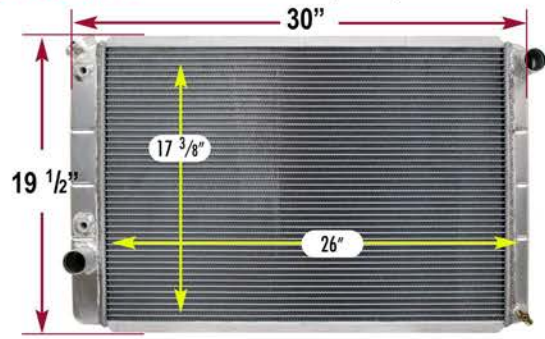
➤ **205062** : '82-'92 GM/Pont Camaro, Firebird & TransAm



**Overall Depth:** 3 1/8"    **Core Depth:** 2 1/4"  
**Inlet:** 1 5/16" - 1 1/2" Dual    **Outlet:** 1 1/2"    **TOC:** Yes    **EOC:** No  
**Electric Fan Assembly:** Z40006, Z40082

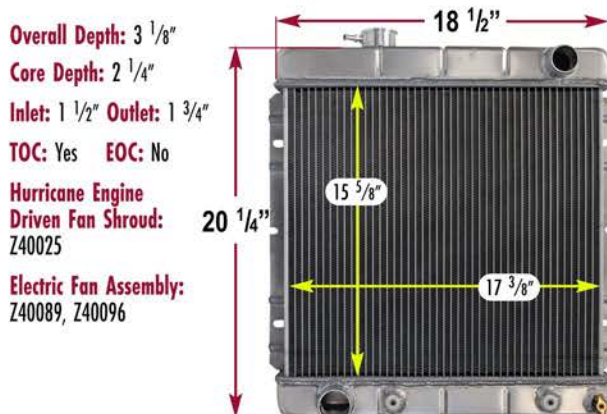
**TECH TIP:** For the best performance from your Northern Muscle Car Radiator, we highly recommend using an air baffle to direct airflow through the radiator. GM PN14107379 for 1982-92 Camaro/Firebird & Trans AM with a V8 Engine can be found at your local dealer!

➤ **205063** : '60-'65 & '69-'79 Ford/Mercury Cars



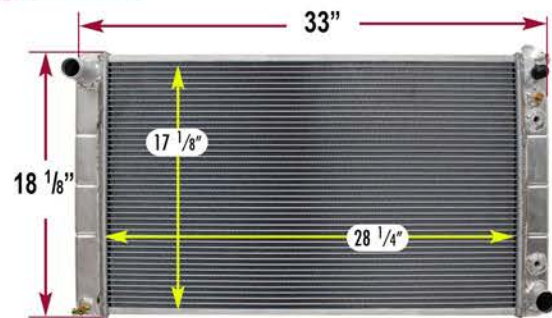
**Overall Depth:** 3 1/8"    **Core Depth:** 2 1/4"  
**Inlet:** 1 1/2"    **Outlet:** 1 1/2"    **TOC:** Yes    **EOC:** No  
**Hurricane Engine Driven Fan Shroud:** Z40023  
**Electric Fan Assembly:** Z40070

➤ **205064** : '60-'70 Ford Cars, '60-'70 Mercury Comet



**Overall Depth:** 3 1/8"    **Core Depth:** 2 1/4"  
**Inlet:** 1 1/2"    **Outlet:** 1 3/4"    **TOC:** Yes    **EOC:** No  
**Hurricane Engine Driven Fan Shroud:** Z40025  
**Electric Fan Assembly:** Z40089, Z40096

➤ **205065** : '73-'91 GMC HD Trucks

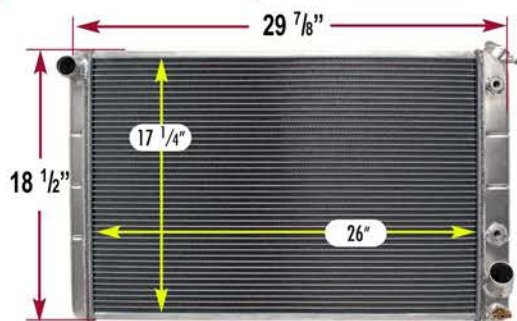


**Overall Depth:** 3 1/8"    **Core Depth:** 2 1/4"  
**Inlet:** 1 5/16" - 1 1/2" Dual    **Outlet:** 1 1/2"    **TOC:** Yes    **EOC:** No  
**Hurricane Engine Driven Fan Shroud:** Z40026  
**Electric Fan Assembly:** Z40004, Z40099

**Note:** Includes saddle space adapter - allows for our shorter radiator to mount in vehicle. Also sold separately Z21225.

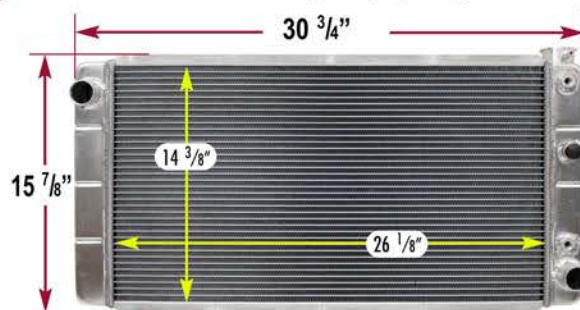
# MUSCLE CAR RADIATOR Illustrations

➤ **205066** : '77-'82 Chevy Corvette



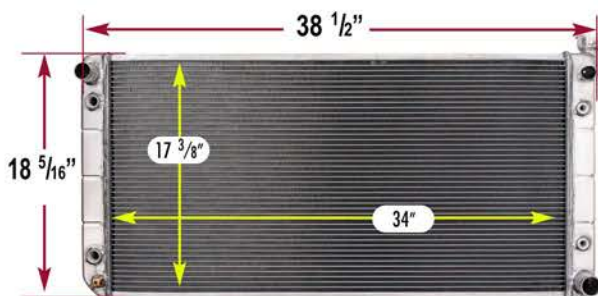
**Overall Depth:** 3 1/8"    **Core Depth:** 2 1/4"  
**Inlet:** 1 1/4"    **Outlet:** 1 1/2"    **TOC:** Yes    **EOC:** No  
**Hurricane Engine Driven Fan Shroud:** Z40023  
**Electric Fan Assembly:** Z40016

➤ **205067** : '82-'94 S-10 Blazer/Jimmy w/V8 Engine Conversion



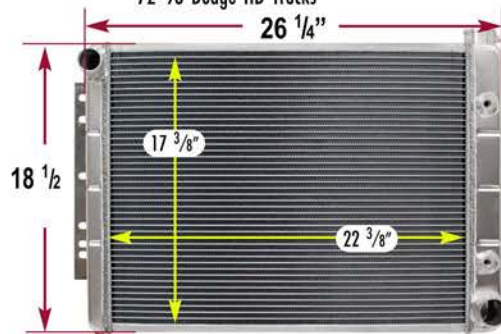
**Overall Depth:** 3 1/8"    **Core Depth:** 2 1/4"  
**Inlet:** 1 1/2"    **Outlet:** 1 1/2"    **TOC:** Yes    **EOC:** No  
**Hurricane Engine Driven Fan Shroud:** Z40028  
**Electric Fan Assembly:** Z40071, Z40092

➤ **205069** : '92-'93 Chevy Blazer; '88-'00 Chevy Pickup; '92-'93 Suburban



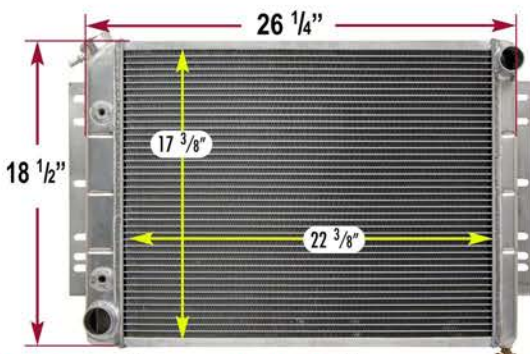
**Overall Depth:** 3 1/8"    **Core Depth:** 2 1/4"  
**Inlet:** 1 1/4"    **Outlet:** 1 1/2"    **TOC:** Yes    **EOC:** Yes  
**Electric Fan Assembly:** Z41036  
**Note:** Z50610 GM EOC Adapters (1/2" NPT x 3/4" - 18 UNS) & Z50620 (1/2" NPT x 20 mm O-Ring)

➤ **205070** : '62-'70 GM Cars; '71-'78 Chrysler/Dodge Cars; '72-'93 Dodge HD Trucks



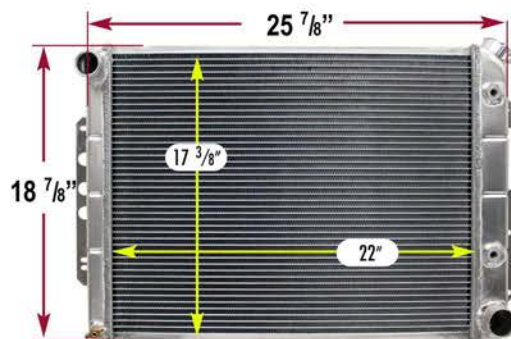
**Overall Depth:** 3 1/8"    **Core Depth:** 2 1/4"  
**Inlet:** 1 1/2"    **Outlet:** 1 3/4"    **TOC:** Yes    **EOC:** No  
**Hurricane Engine Driven Fan Shroud:** Z40031  
**Electric Fan Assembly:** Z40007, Z40093  
**Note:** Gas Only. Original Core 17 1/2" tall. 29" Overall width including the brackets.

➤ **205071** : '66-'80 Chrysler/Dodge Cars



**Overall Depth:** 3 1/8"    **Core Depth:** 2 1/4"  
**Inlet:** 1 1/2"    **Outlet:** 1 3/4"    **TOC:** Yes    **EOC:** No  
**Hurricane Engine Driven Fan Shroud:** Z40031  
**Electric Fan Assembly:** Z40007, Z40093  
**Note:** 29" Overall width including the brackets.

➤ **205072** : '67-'69 Camaro; '67-'69 Pontiac Firebird, TransAM



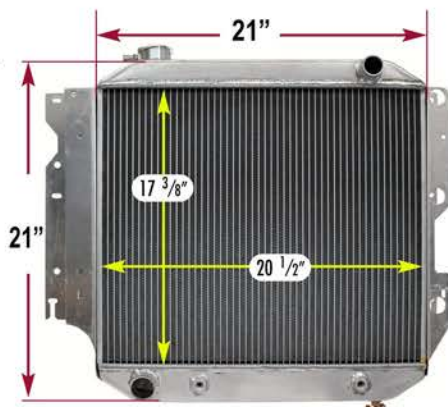
**Overall Depth:** 3 1/8"    **Core Depth:** 2 1/4"  
**Inlet:** 1 1/2"    **Outlet:** 1 3/4"    **TOC:** Yes    **EOC:** No  
**Hurricane Engine Driven Fan Shroud:** Z40030  
**Electric Fan Assembly:** Z40013, Z40086  
**Note:** For M/T use 205125. Use Z50720 Shroud Clip Bracket Kit-Allows for use of OE Shroud/For Big Block use 205133, For LS Engine Conversion see 205141. 27 5/8" Overall width including the brackets.

# MUSCLE CAR RADIATOR Illustrations

MUSCLE CAR RADIATORS

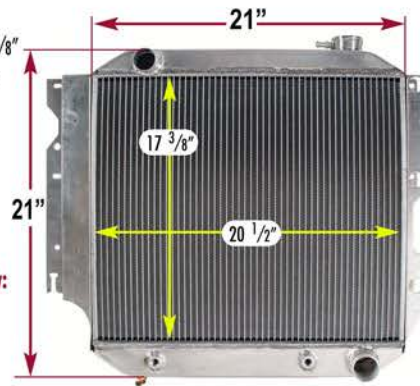
➤ **205087** : '87-'06 Jeep Wrangler

Overall Depth: 3 1/8"  
 Core Depth: 2 1/4"  
 Inlet: 1 1/4"  
 Outlet: 1 1/2"  
 TOC: Yes  
 EOC: No  
 Electric Fan Assembly:  
 Z40118  
 Note: 25 7/8" Overall  
 width including the  
 brackets.



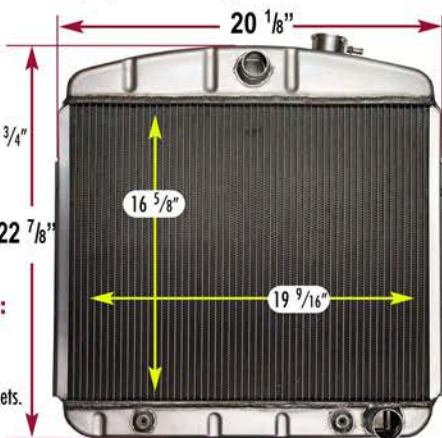
➤ **205088** : '87-'06 Jeep Wrangler w/V8 Engine Conversion

Overall Depth: 3 1/8"  
 Core Depth: 2 1/4"  
 Inlet: 1 1/2"  
 Outlet: 1 3/4"  
 TOC: Yes  
 EOC: No  
 Electric Fan Assembly:  
 Z40118  
 Note: 25 7/8"  
 Overall width  
 including the brackets.



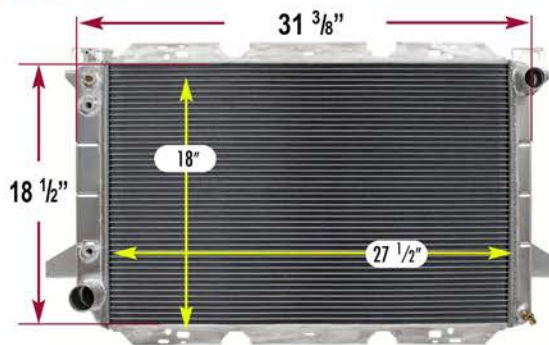
➤ **205122** : '55-'57 Chevy w/ V6 or V8 Engine

Overall Depth: 3 1/8"  
 Core Depth: 2 1/4"  
 Inlet: 1 1/2" Outlet: 1 3/4"  
 TOC: Yes EOC: No  
 Hurricane Engine  
 Driven Fan Shroud: 22 7/8"  
 Z40036  
 Electric Fan Assembly:  
 Z40097  
 Note: 23 7/16" Overall  
 width including the brackets.



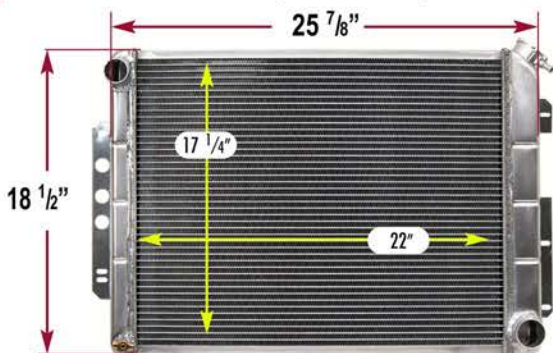
➤ **205123** : '85-'97 Ford F-150

Overall Depth: 3 1/8" Core Depth: 2 1/4"  
 Inlet: 1 1/2" Outlet: 1 3/4" TOC: Yes EOC: No  
 Hurricane Engine Driven Fan Shroud: Z40023  
 Note: 21 1/8" Overall width including the brackets.



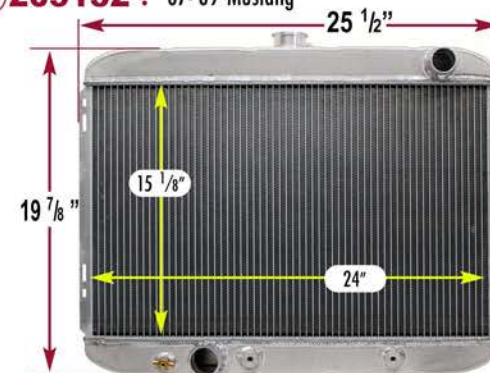
➤ **205125** : '67-'69 Camaro; Pontiac Firebird, Trans AM

Overall Depth: 3 1/8" Core Depth: 2 1/4"  
 Inlet: 1 1/2" Outlet: 1 3/4" TOC: No EOC: No  
 Hurricane Engine Driven Fan Shroud: Z40030  
 Electric Fan Assembly: Z40013, Z40086  
 Note: For A/T version use 205072, For LS Conversion use 205140. 28 1/2" Overall  
 width including the brackets.



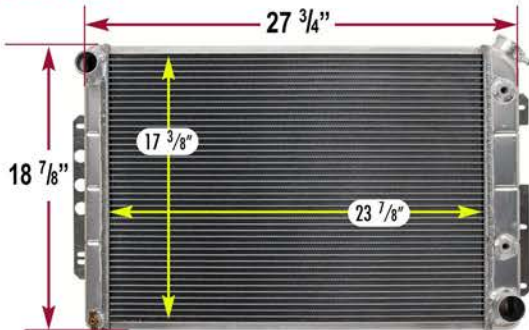
➤ **205132** : '67-'69 Mustang

Overall Depth: 3 1/8" Core Depth: 2 1/4"  
 Inlet: 1 1/2" Outlet: 1 3/4" TOC: No EOC: No  
 Hurricane Engine Driven Fan Shroud: Z40033  
 Electric Fan Assembly: Z40069, Z40121



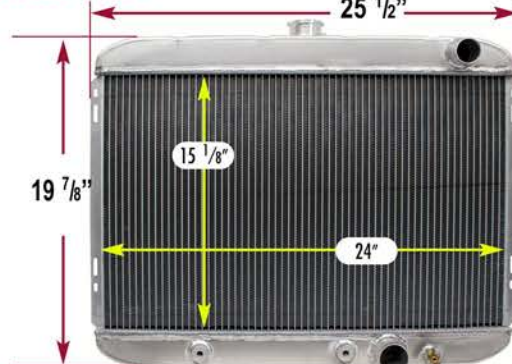
# MUSCLE CAR RADIATOR Illustrations

➤ **205133** : '67-'69 Camaro w/Big Block V-8. '68-'79 Nova



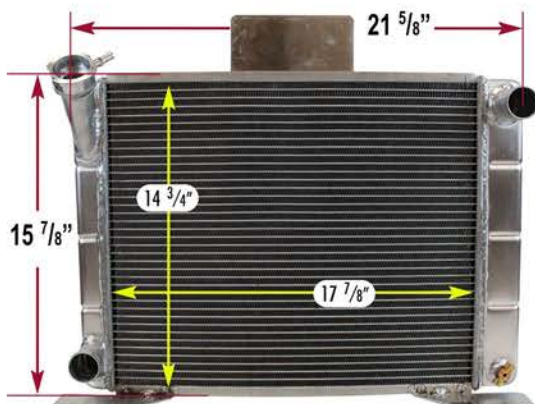
**Overall Depth:** 3 1/8"    **Core Depth:** 2 1/4"  
**Inlet:** 1 1/2"    **Outlet:** 1 3/4"    **TOC:** Yes    **EOC:** No  
**Electric Fan Assembly:** Z40015, Z40087  
**Note:** Use Z50720 Shroud Clip Bracket Kit-Allows for use of OE Shroud. For M/T version use 205184. (29 1/2" Overall width including the brackets.)

➤ **205137** : '67-'69 Mustang, '68-'69 Mercury Cougar



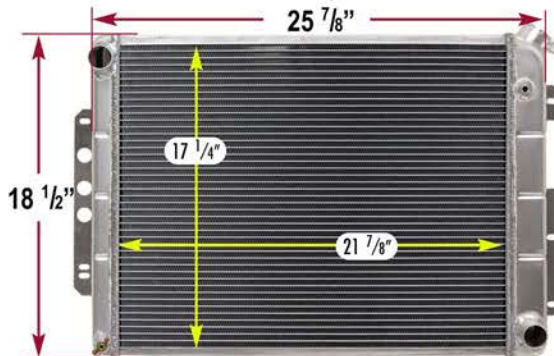
**Overall Depth:** 3 1/8"    **Core Depth:** 2 1/4"  
**Inlet:** 1 1/2"    **Outlet:** 1 3/4"    **TOC:** Yes    **EOC:** No  
**Hurricane Engine Driven Fan Shroud:** Z40033  
**Electric Fan Assembly:** Z40069, Z40121

➤ **205138** : '82-'94 Ford Ranger w/V8 Eng. Conversion



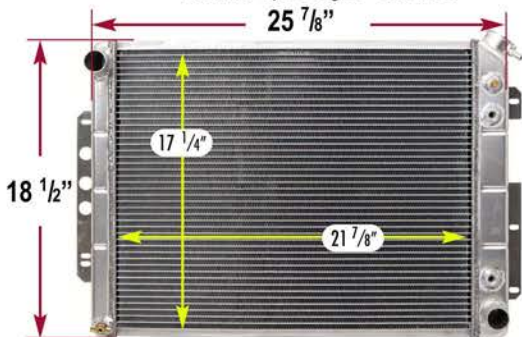
**Overall Depth:** 3 1/8"    **Core Depth:** 2 1/4"  
**Inlet:** 1 1/2"    **Outlet:** 1 1/2"    **TOC:** No    **EOC:** No

➤ **205140** : '67-'69 Camaro, '67-'69 Pontiac Firebird, TransAM w/LS1 Eng. Conversion



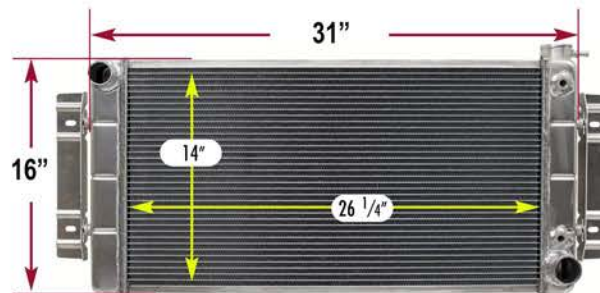
**Overall Depth:** 3 1/8"    **Core Depth:** 2 1/4"  
**Inlet:** 1 3/8"    **Outlet:** 1 1/2"    **TOC:** No    **EOC:** No  
**Electric Fan Assembly:** Z40013, Z40086  
**Hurricane Engine Driven Fan Shroud:** Z40030  
**Note:** Use Z50720 Shroud Clip Bracket Kit-Allows for use of OE Shroud, 27 5/8" Overall width including the brackets.

➤ **205141** : '67-'69 Camaro, Pontiac Firebird, TransAM w/LS Engine Conversion



**Overall Depth:** 3 1/8"    **Core Depth:** 2 1/4"  
**Inlet:** 1 3/8"    **Outlet:** 1 3/8"    **TOC:** Yes    **EOC:** No  
**Hurricane Engine Driven Fan Shroud:** Z40030  
**Electric Fan Assembly:** Z40013, Z40086  
**Note:** Use Z50720 Shroud Clip Bracket Kit-Allows for use of OE Shroud. 27 5/8" Overall width including the brackets.

➤ **205142** : '55-'57 Chevy Crossflow Conversion

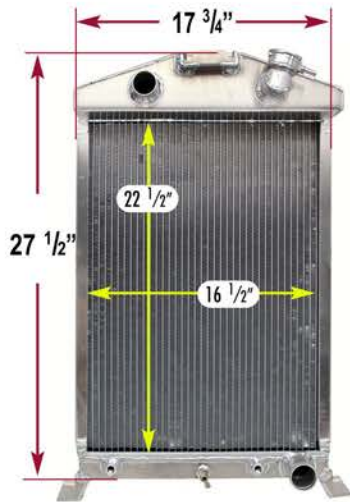


**Overall Depth:** 3 1/8"    **Core Depth:** 2 1/4"  
**Inlet:** 1 1/2"    **Outlet:** 1 3/4"    **TOC:** Yes    **EOC:** No  
**Electric Fan Assembly:** Z40100, Z40101  
**Note:** This radiator includes bracket kit. Installation of radiator will require modification of the vehicles radiator core support. 36" Overall width including the brackets.

# MUSCLE CAR RADIATOR Illustrations

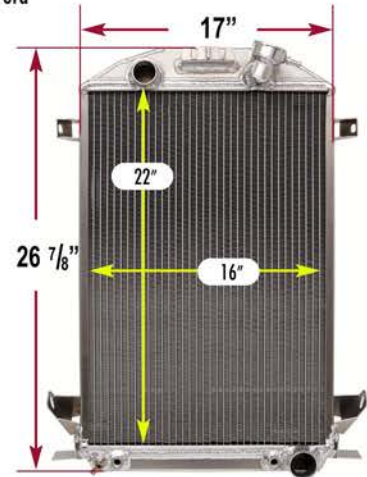
➤ **205175** : '33-'34 Ford

Overall Depth: 3 1/4"  
 Core Depth: 2 1/4"  
 Inlet: 1 1/2"  
 Outlet: 1 3/4"  
 Rows: 2  
 Tubes: 1 1/4"  
 TOC: Yes  
 EOC: No  
 Electric Fan Assembly:  
 Z40103

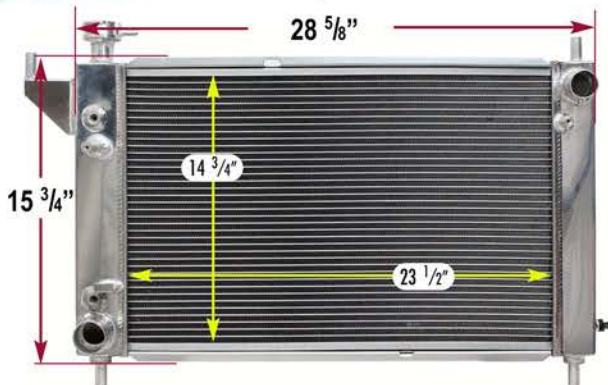


➤ **205176** : '32 Ford

Overall Depth: 4 7/8"  
 Core Depth: 2 3/4"  
 Inlet: 1 1/2"  
 Outlet: 1 3/4"  
 Rows: 2  
 Tubes: 1 1/4"  
 TOC: Yes  
 EOC: No  
 Electric Fan Assembly:  
 Z40103

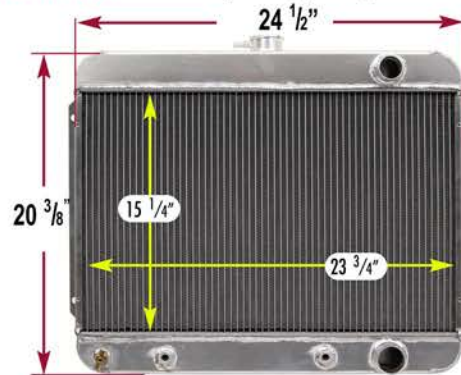


➤ **205177** : '94-'96 Ford Mustang



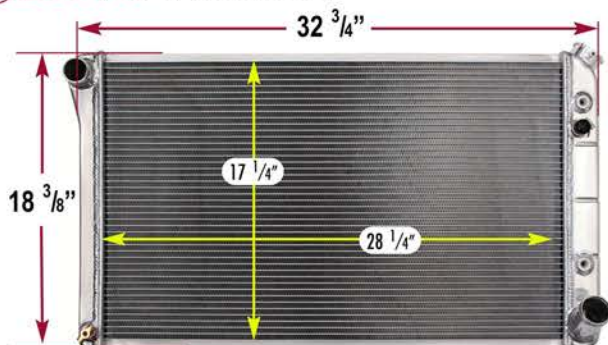
Overall Depth: 3 1/8" Core Depth: 2 1/8"  
 Inlet: 1 1/2" Outlet: 1 3/4" TOC: Yes, 1/8 NPT EOC: No  
 Electric Fan Assembly: Z40081, Z41038

➤ **205178** : '62-'65 Chevy Nova w/V8 Engines



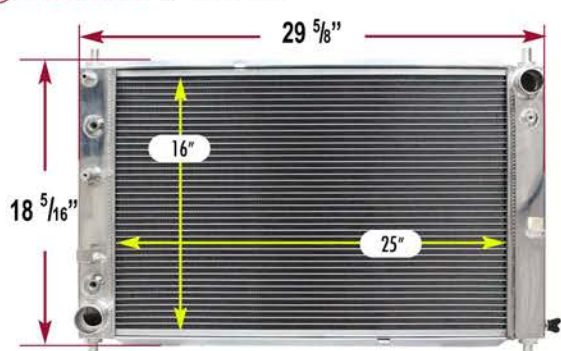
Overall Depth: 3 1/4" Core Depth: 2 1/4"  
 Inlet: 1 1/2" Outlet: 1 3/4" TOC: Yes, 1/8 NPT EOC: No  
 Electric Fan Assembly: Z40105

➤ **205179** : '67-'72 Chevy Pickup



Overall Depth: 3 1/8" Core Depth: 2 1/4"  
 Inlet: 1 1/2" Outlet: 1 3/4" TOC: Yes EOC: No  
 Electric Fan Assembly: Z40104

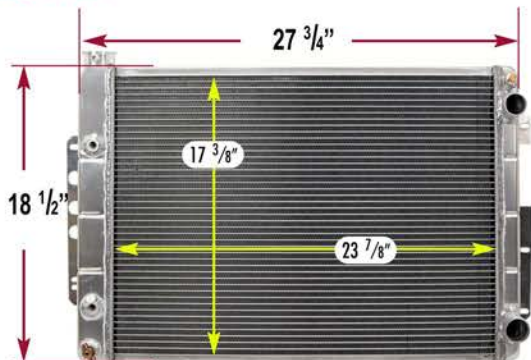
➤ **205181** : '97-'04 Mustang



Overall Depth: 3 1/8" Core Depth: 2 1/8"  
 Inlet: 1 1/2" Outlet: 1 3/4" TOC: Yes EOC: No  
 Electric Fan Assembly: Z40126, Z40127

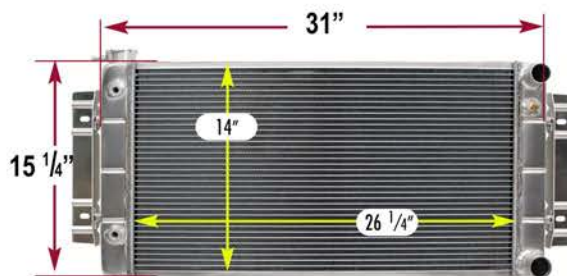
# MUSCLE CAR RADIATOR Illustrations

➤ **205182** : '67-'69 Camaro w/LS Eng. Conv. Double Pass



**Overall Depth:** 3 1/8" **Core Depth:** 2 1/4" **PORT:** 1/8" NPT (Steam Port)  
**Inlet:** 1 3/8" **Outlet:** 1 1/2" **TOC:** Yes **EOC:** No  
**Hurricane Engine Driven Fan Shroud:** Z40030  
**Electric Fan Assembly:** Z40013, Z40086

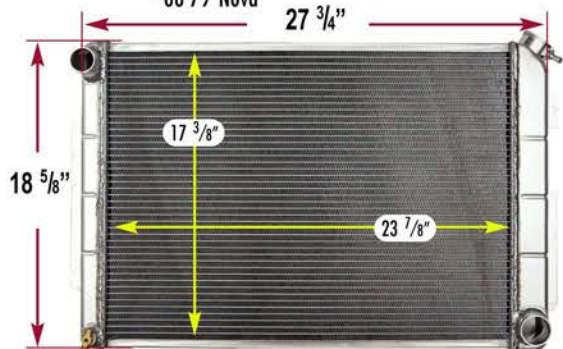
➤ **205183** : '55-'57 Chevy Bel-Air w/LS Eng. Conv. Double Pass



**Overall Depth:** 3" **Core Depth:** 2 1/4" **PORT:** 1/8" NPT (Steam Port)  
**Inlet:** 1 3/8" **Outlet:** 1 1/2" **TOC:** Yes **EOC:** No  
**Electric Fan Assembly:** Z40100, Z40101

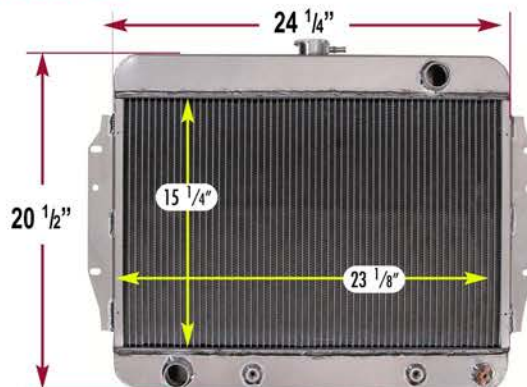
**Note:** This radiator includes bracket kit. Installation of radiator will require modification of the vehicles radiator core support. 36" Overall width including the brackets.

➤ **205184** : '67-'69 Camaro w/Big Block V-8 Manual Transmisson  
'68-'79 Nova



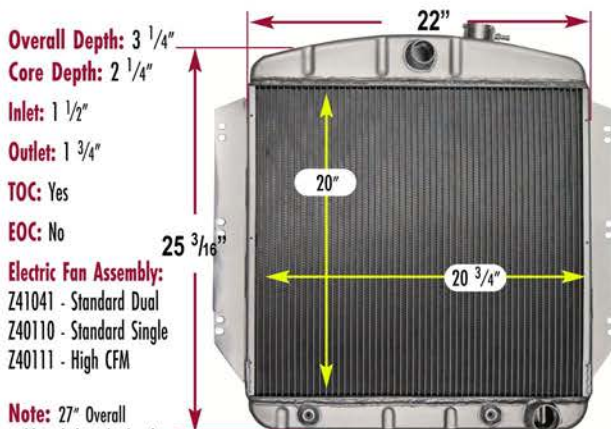
**Overall Depth:** 3 1/8" **Core Depth:** 2 1/4"  
**Inlet:** 1 1/2" **Outlet:** 1 3/4" **TOC:** No **EOC:** No  
**Electric Fan Assembly:** Z40015, Z40087  
**Note:** 29 1/2" Overall width including the brackets, For A/T version use 205133

➤ **205185** : '68-'74 Javelin, AMX



**Overall Depth:** 3 1/8" **Core Depth:** 2 1/4"  
**Inlet:** 1 1/2" **Outlet:** 1 1/2" **TOC:** Yes **EOC:** No  
**Electric Fan Assembly:** Z40106

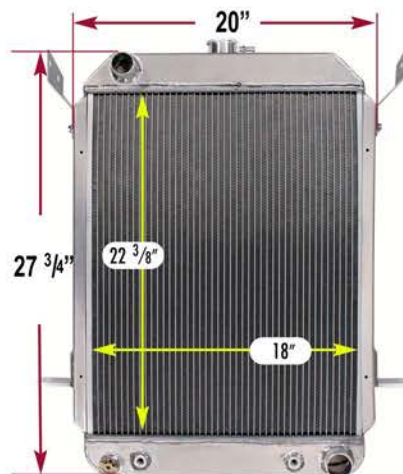
➤ **205186** : '55-'59 Chevy/GMC Pickup



**Overall Depth:** 3 1/4" **Core Depth:** 2 1/4"  
**Inlet:** 1 1/2" **Outlet:** 1 3/4"  
**TOC:** Yes **EOC:** No  
**Electric Fan Assembly:**  
 Z41041 - Standard Dual  
 Z40110 - Standard Single  
 Z40111 - High CFM

**Note:** 27" Overall width including the brackets.

➤ **205187** : '40 Ford Deluxe w/GM Engine Conversion



**Overall Depth:** 3 1/8" **Core Depth:** 2 1/4"  
**Inlet:** 1 1/2" **Outlet:** 1 3/4"  
**TOC:** Yes **EOC:** No

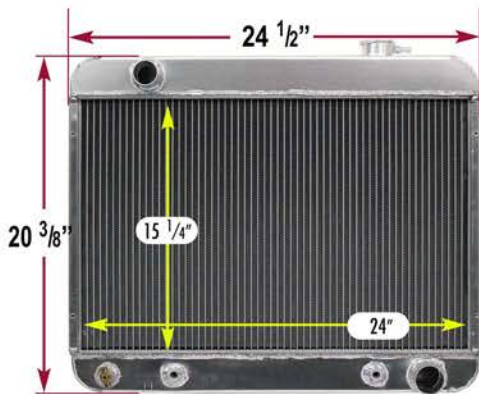
**Hurricane Engine Driven Fan Shroud:** Z40031

**Electric Fan Assembly:**  
 Z40066 - Standard Dual  
 Z40095 - High CFM Dual

**Note:** 25" Overall width including the brackets.

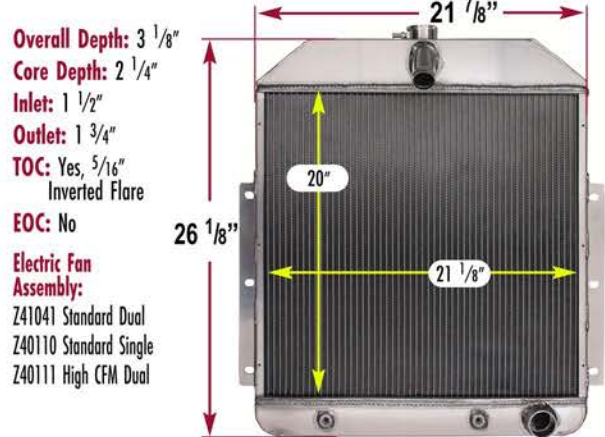
# MUSCLE CAR RADIATOR Illustrations

➤ **205188** : '66-'67 Chevy Nova w/V8 Engine



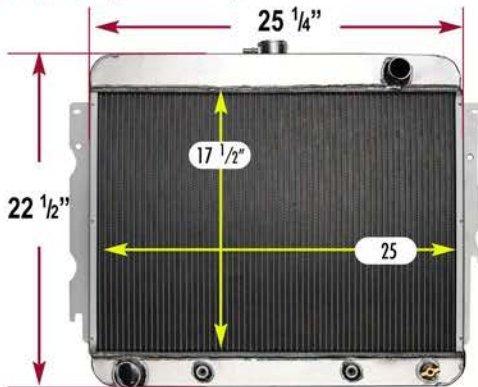
**Overall Depth:** 3 1/2"    **Core Depth:** 2 1/4"  
**Inlet:** 1 1/2"    **Outlet:** 1 3/4"    **TOC:** Yes, 5/16" Inverted Flare    **EOC:** No  
**Electric Fan Assembly:** Z40106

➤ **205190** : '48-'52 Ford Pickup w/GM Engine Conversion



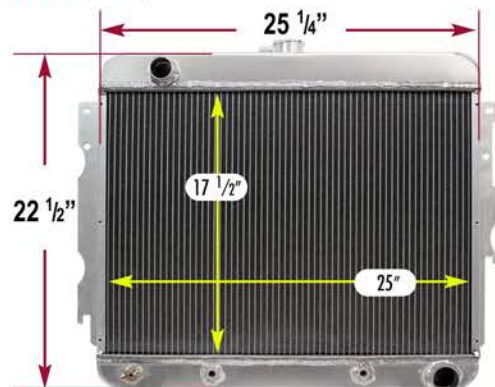
**Overall Depth:** 3 1/8"  
**Core Depth:** 2 1/4"  
**Inlet:** 1 1/2"  
**Outlet:** 1 3/4"  
**TOC:** Yes, 5/16" Inverted Flare  
**EOC:** No  
**Electric Fan Assembly:**  
 Z41041 Standard Dual  
 Z40110 Standard Single  
 Z40111 High CFM Dual

➤ **205191** : Mopar B & E Body



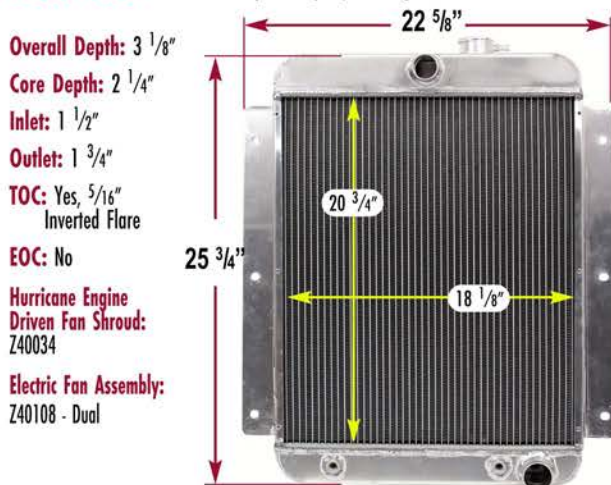
**Overall Depth:** 3 1/8"    **Core Depth:** 2 1/4"  
**Inlet:** 1 1/2"    **Outlet:** 1 3/4"    **TOC:** Yes, 5/16" Inverted Flare    **EOC:** No  
**Electric Fan Assembly:** Z40109 - Dual High CFM

➤ **205192** : Mopar B & E



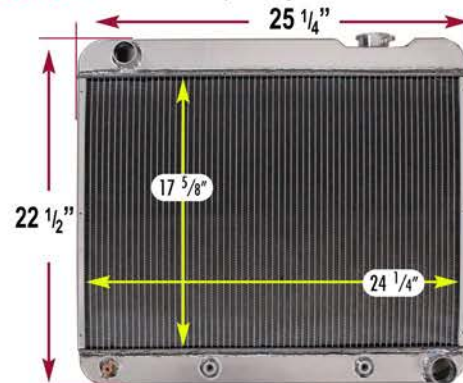
**Overall Depth:** 3"    **Core Depth:** 2 1/4"  
**Inlet:** 1 1/2"    **Outlet:** 1 3/4"    **TOC:** Yes, 5/16" Inverted Flare    **EOC:** No  
**Electric Fan Assembly:** Z40109 - High Dual CFM

➤ **205193** : '47-'54 Chevy Pickup w/V8 Engine



**Overall Depth:** 3 1/8"  
**Core Depth:** 2 1/4"  
**Inlet:** 1 1/2"  
**Outlet:** 1 3/4"  
**TOC:** Yes, 5/16" Inverted Flare  
**EOC:** No  
**Hurricane Engine Driven Fan Shroud:**  
 Z40034  
**Electric Fan Assembly:**  
 Z40108 - Dual

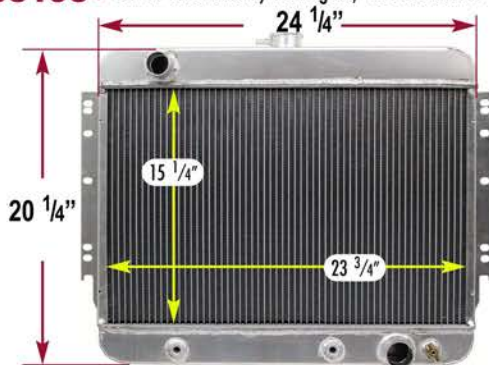
➤ **205194** : 64-67 GTO w/V8 Engine



**Overall Depth:** 3 1/8"    **Core Depth:** 2 1/4"  
**Inlet:** 1 1/2"    **Outlet:** 1 3/4"    **TOC:** Yes, 1/4" NPT Fitting    **EOC:** No  
**Electric Fan Assembly:** Z40109 - Dual High CFM

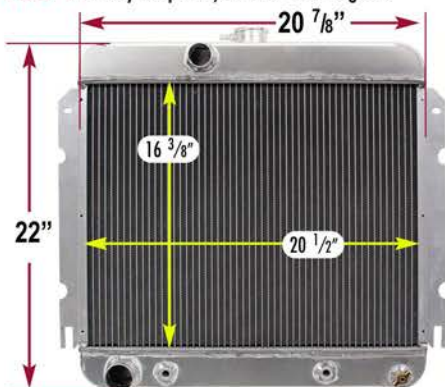
# MUSCLE CAR RADIATOR Illustrations

► **205195** : '64-'67 Chevelle w/V8 Engine, '63-'68 Bel-Air



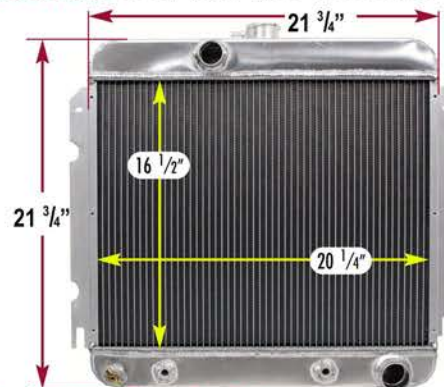
**Overall Depth:** 3 1/4" **Core Depth:** 2 1/4"  
**Inlet:** 1 1/2" **Outlet:** 1 3/4" **TOC:** Yes, 5/16" Inverted Flare **EOC:** No  
**Hurricane Engine Driven Fan Shroud:** Z40033 **Electric Fan Shroud:** Z40106  
**Note:** 28" Overall width including the brackets.

► **205197** : A-Body Mopar w/383 or 440 Engines



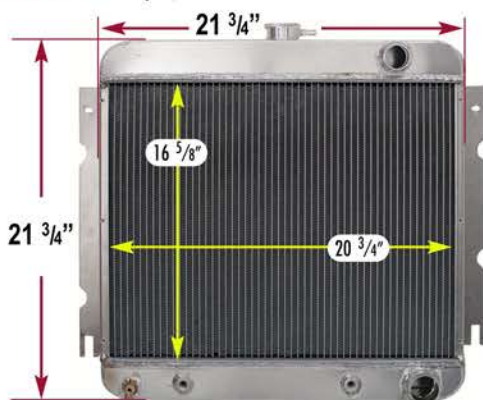
**Overall Depth:** 3 1/8" **Core Depth:** 2 1/4"  
**Inlet:** 1 1/2" **Outlet:** 1 3/4" **TOC:** Yes, 5/16" Inverted Flare **EOC:** No  
**Electric Fan Assembly:** Z40107 Single, Z40112 Dual  
**Note:** 25 1/2" Overall width including the brackets

► **205198** : A-Body Mopar w/318 or 340 Engines



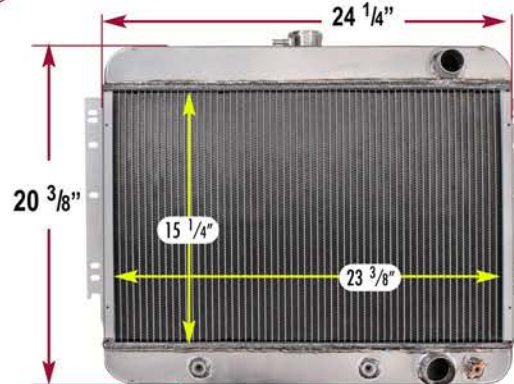
**Overall Depth:** 3 1/4" **Core Depth:** 2 1/4"  
**Inlet:** 1 1/2" **Outlet:** 1 3/4" **TOC:** Yes, 5/16" Inverted Flare **EOC:** No  
**Electric Fan Assembly:** Z40107 Single, Z40112 Dual  
**Note:** 25 1/2" Overall width including the brackets.

► **205199** : A-Body w/5.7 Hemi



**Overall Depth:** 3 1/8" **Core Depth:** 2 1/4"  
**Inlet:** 1 3/4" **Outlet:** 1 3/4" **TOC:** Yes, 5/16" Inverted Flare **EOC:** No  
**Electric Fan Assembly:** Z40107 Single, Z40112 Dual  
**Note:** 25 1/2" Overall including the brackets.

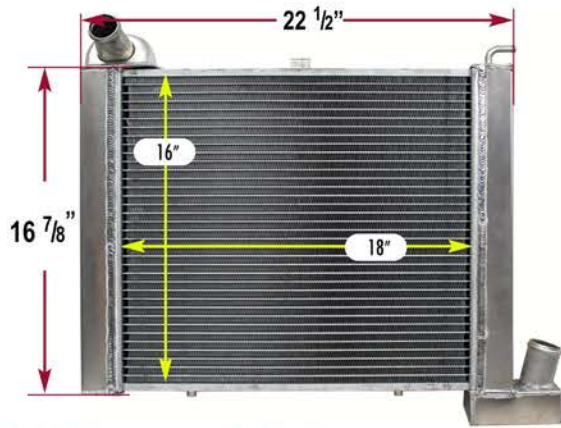
► **205200** : '64-'67 Chevelle w/V8 Engine



**Overall Depth:** 3" **Core Depth:** 2 1/4"  
**Inlet:** 1 1/2" **Outlet:** 1 3/4" **TOC:** Yes, 5/16" Inverted Flare **EOC:** No  
**Hurricane Engine Driven Fan Shroud:** Z40033 **Electric Fan Assembly:** Z40106  
**Note:** 28" Overall width including the brackets.

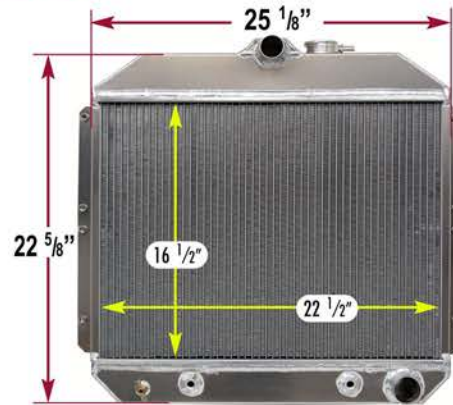
# MUSCLE CAR RADIATOR Illustrations

► **205201** : '63-'72 Corvette



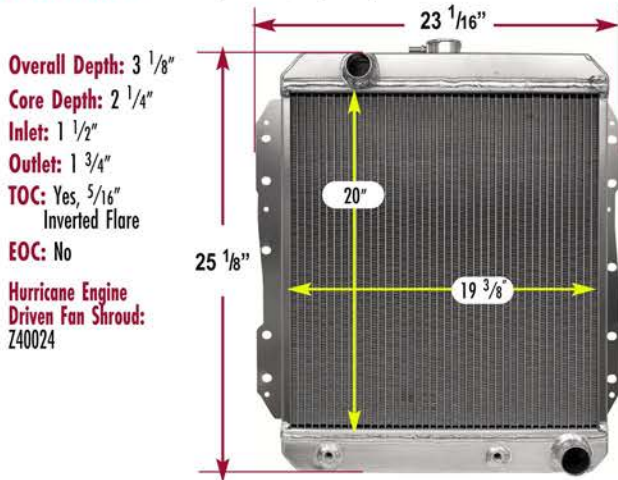
Overall Depth: 3"  
 Inlet: 1 1/2"    Outlet: 1 3/4"    TOC: No    EOC: No  
 Core Depth: 2 1/4"

► **205202** : '49-'54 Chevy Bel-Air, Impala-All Engines



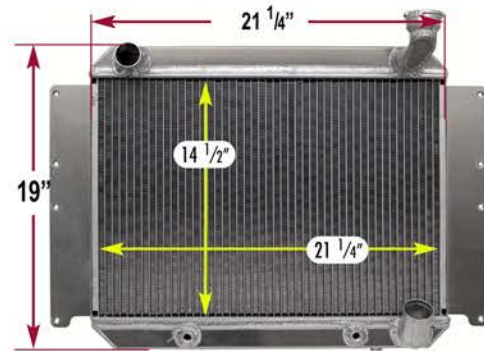
Overall Depth: 3 1/8"  
 Inlet: 1 1/2"    Outlet: 1 3/4"    TOC: Yes, 5/16" Inverted Flare    EOC: No  
 Core Depth: 2 1/4"

► **205203** : '58 Chevy Bel-Air, Impala w/V8



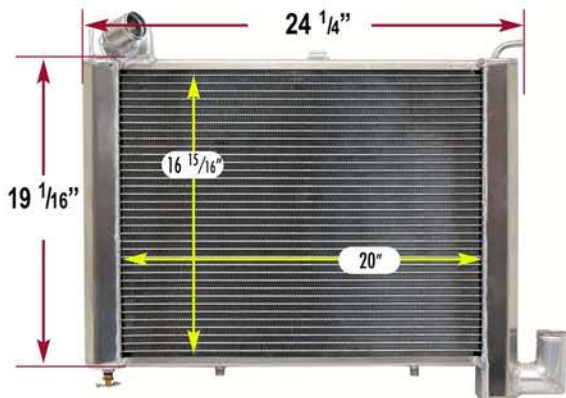
Overall Depth: 3 1/8"  
 Core Depth: 2 1/4"  
 Inlet: 1 1/2"  
 Outlet: 1 3/4"  
 TOC: Yes, 5/16" Inverted Flare  
 EOC: No  
 Hurricane Engine  
 Driven Fan Shroud:  
 Z40024

► **205204** : '55-'60 Corvette, All Engines



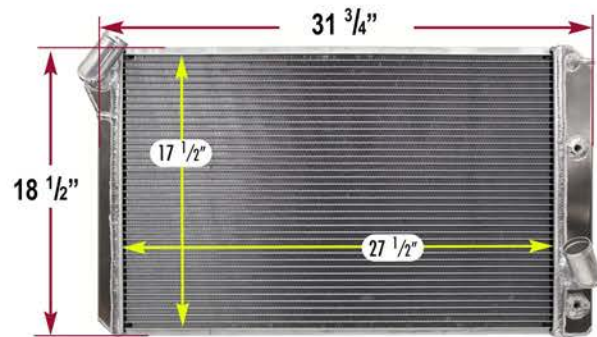
Overall Depth: 3 1/8"  
 Inlet: 1 1/2"    Outlet: 1 3/4"    TOC: Yes, 1/4" NPT Fitting    EOC: No  
 Note: 26 3/16" Overall width including the brackets.  
 Core Depth: 2 1/4"

► **205205** : '65 Corvette w/Big Block Engine



Overall Depth: 3 1/8"  
 Inlet: 1 1/2"    Outlet: 1 3/4"    TOC: No    EOC: No  
 Core Depth: 2 1/4"

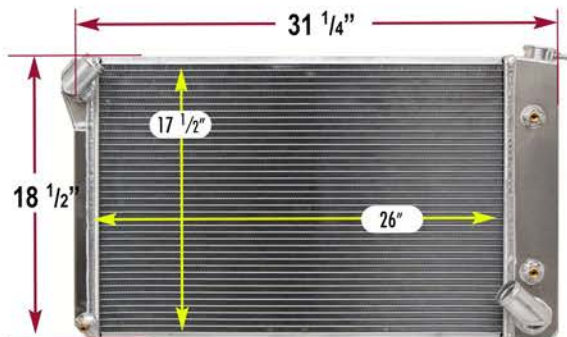
► **205206** : '69-'72 Corvette w/Big Block Engine



Overall Depth: 3 1/8"  
 Inlet: 1 5/8"    Outlet: 1 3/4"    TOC: Yes, 5/16" Inverted Flare    EOC: No  
 Core Depth: 2 1/4"

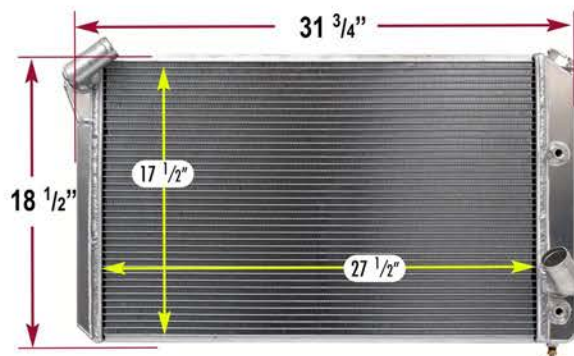
# MUSCLE CAR RADIATOR Illustrations

➤ **205207** : '69-'72 Corvette w/Big Block Engine



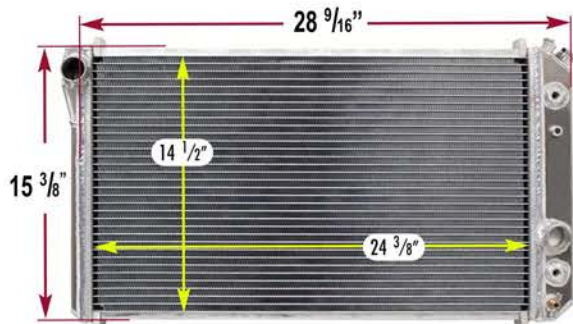
**Overall Depth:** 3 1/8"    **Core Depth:** 2 1/4"  
**Inlet:** 1 1/2"    **Outlet:** 1 3/4"    **TOC:** Yes, 5/16" Inverted Flare  
**EOC:** No

➤ **205208** : '73-'76 Corvette, All Engines



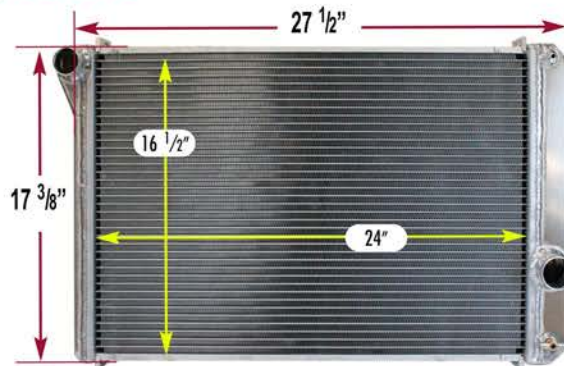
**Overall Depth:** 3 1/8"    **Core Depth:** 2 1/4"  
**Inlet:** 1 1/2"    **Outlet:** 1 3/4"    **TOC:** Yes, 5/16" Inverted Flare  
**EOC:** No

➤ **205209** : '84-'90 Corvette, All Engines



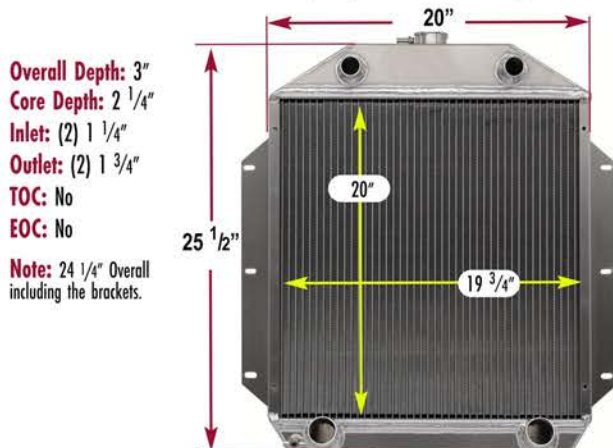
**Overall Depth:** 3 1/8"    **Core Depth:** 2 1/4"  
**Inlet:** 1 3/8"    **Outlet:** 1 3/8"    **TOC:** Yes, 5/16" Inverted Flare  
**EOC:** No

➤ **205210** : '89-'96 Corvette, All Engines



**Overall Depth:** 3 1/8"    **Core Depth:** 2 1/4"  
**Inlet:** 1 1/2"    **Outlet:** 1 3/4"    **TOC:** No    **EOC:** No  
**Hurricane Engine Driven Fan Shroud:** Z40035  
**Note:** w/o Fillerneck

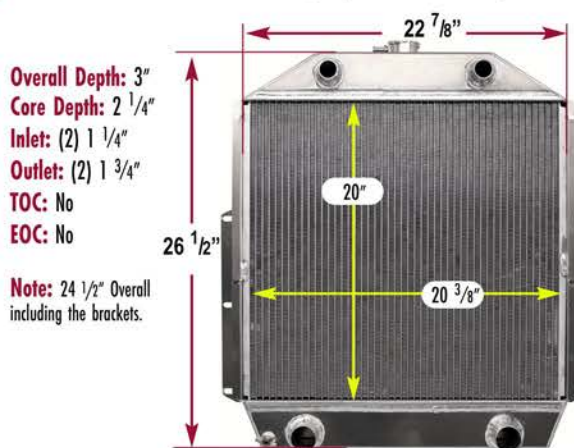
➤ **205211** : '49-'53 Ford Car w/8 Cylinder Flat Head Engine



**Overall Depth:** 3"  
**Core Depth:** 2 1/4"  
**Inlet:** (2) 1 1/4"  
**Outlet:** (2) 1 3/4"  
**TOC:** No  
**EOC:** No

**Note:** 24 1/4" Overall including the brackets.

➤ **205212** : '42-'52 Ford Truck w/8 Cylinder Flat Head Engine

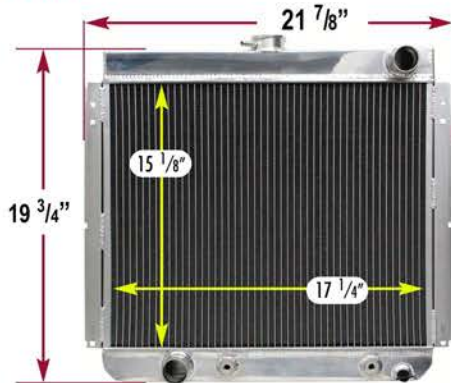


**Overall Depth:** 3"  
**Core Depth:** 2 1/4"  
**Inlet:** (2) 1 1/4"  
**Outlet:** (2) 1 3/4"  
**TOC:** No  
**EOC:** No

**Note:** 24 1/2" Overall including the brackets.

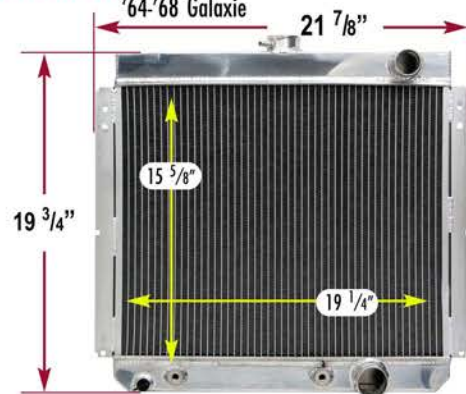
# MUSCLE CAR RADIATOR Illustrations

➤ **205213** : '71-'73 Comet, Maverick, '67-'70 Mustang, '68-'70 Cougar



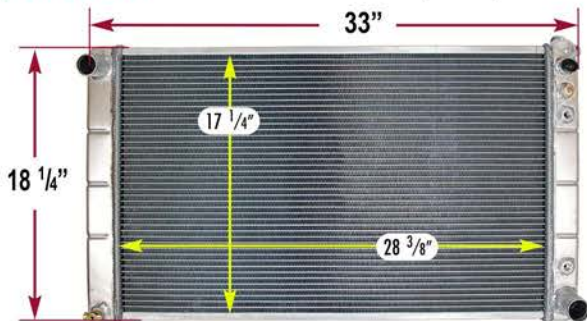
**Overall Depth:** 2 1/2" **Core Depth:** 2 1/8"  
**Inlet:** 1 1/2" **Outlet:** 1 1/2" **TOC:** Yes - 1/8" - 27 NPT **EOC:** No  
**Hurricane Engine Driven Fan Shroud:** Z40038, Z40114, Z40115  
**Note:** Replaces 20 1/4" wide copper brass bucket header.

➤ **205214** : '67-'70 Mustang, Cougar, '71-'73 Maverick, Comet, '64-'68 Galaxie



**Overall Depth:** 2 1/2" **Core Depth:** 2 1/4"  
**Inlet:** 1 1/2" **Outlet:** 1 3/4" **TOC:** Yes - 1/8" - 27 NPT **EOC:** No  
**Hurricane Engine Driven Fan Shroud:** Z40038, Z40114, Z40115  
**Note:** Replaces 20 1/4" wide copper brass bucket header.

➤ **205215** : '65-'86 GM Cars, '72-'91 GMC Trucks/Vans, w/LS Conversion



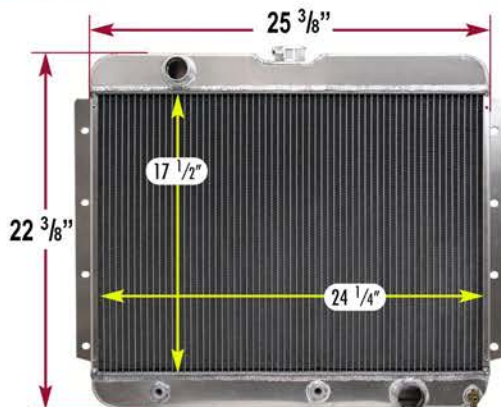
**Overall Depth:** 3 1/8" **Core Depth:** 2 1/4"  
**Inlet:** 1 3/8" **Outlet:** 1 1/2" **TOC:** Yes, 5/16" Inverted Flare **EOC:** No  
**Hurricane Engine Driven Fan Shroud:** Z40026  
**Electric Fan Assembly:** Z40004, Z40099

➤ **205216** : '65-'90 GM Cars, '72-'87 GMC Trucks/Vans



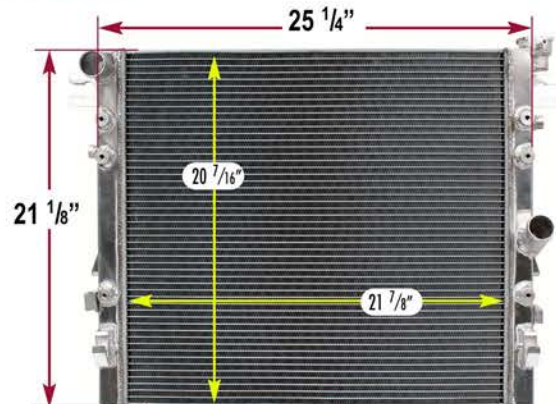
**Overall Depth:** 3 1/8" **Core Depth:** 2 1/4"  
**Inlet:** 1 3/8" **Outlet:** 1 1/2" **TOC:** Yes, 5/16" Inverted Flare **EOC:** No  
**Electric Fan Assembly:** Z40006, Z40082

➤ **205217** : '69-'70 Impala



**Overall Depth:** 3 1/8" **Core Depth:** 2 1/4"  
**Inlet:** 1 1/2" **Outlet:** 1 3/4" **TOC:** Yes, 5/16" Inverted Flare **EOC:** No

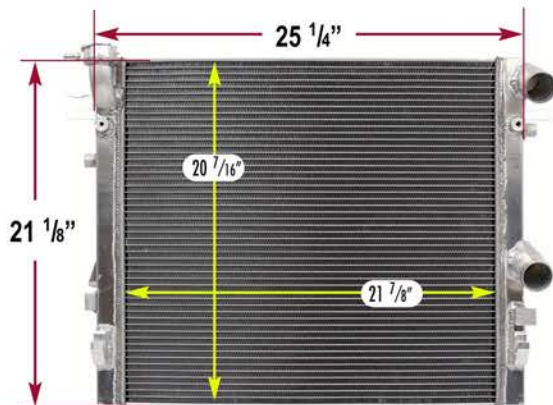
➤ **205218** : '07-'18 Jeep Wrangler w/220 or 231 Engine



**Overall Depth:** 2" **Core Depth:** 1 5/8"  
**Inlet:** 1 1/2" **Outlet:** 1 1/2" **TOC:** No **EOC:** No

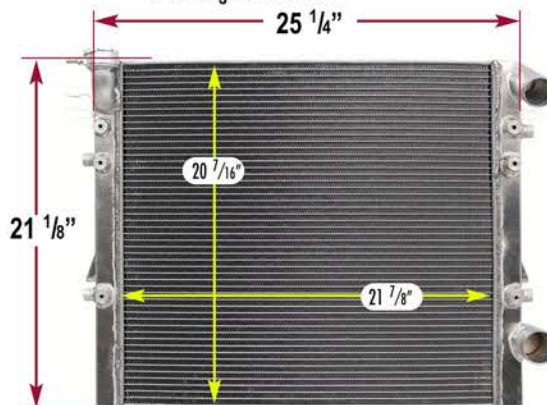
# MUSCLE CAR RADIATOR Illustrations

➤ **205219** : '07-'18 Jeep Wrangler w/Hemi Connection & OE Electric Fan



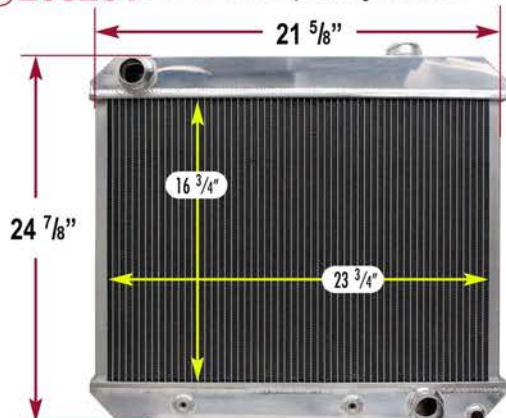
Overall Depth: 2"      Core Depth: 1 5/8"  
 Inlet: 1 3/4"      Outlet: 1 3/4"      TOC: No      EOC: No

➤ **205220** : '07-'18 Jeep Wrangler w/Hemi Connection & OE Eng. Driven Fan



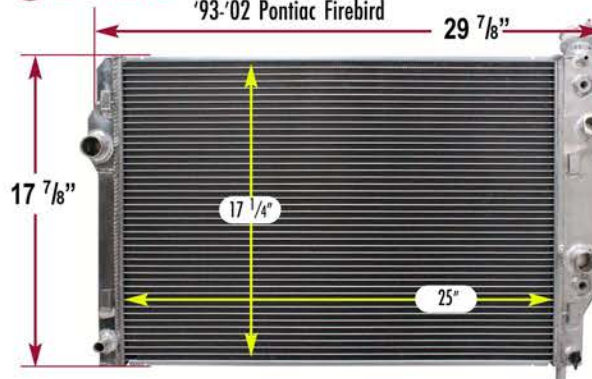
Overall Depth: 2"      Core Depth: 1 5/8"  
 Inlet: 1 3/4"      Outlet: 2"      TOC: No      EOC: No

➤ **205231** : '63-'66 Chevrolet/GMC Light Truck V8



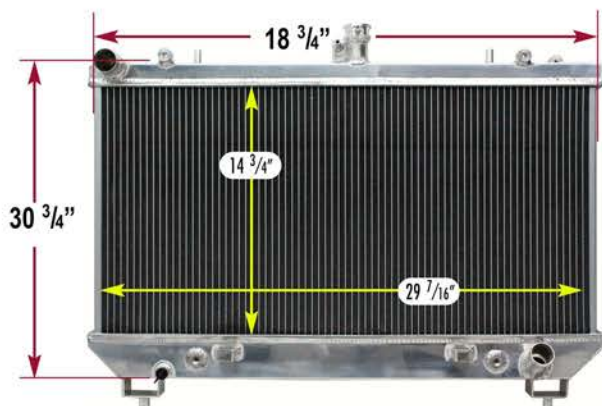
Overall Depth: 2 1/2"      Core Depth: 2"  
 Inlet: 1 1/2"      Outlet: 1 3/4"  
 Electric Fan Assembly: Z40128, Z40129

➤ **205232** : '93-'02 Chevrolet Camaro, '93-'02 Pontiac Firebird



Overall Depth: 2 1/2"      Core Depth: 2"  
 Inlet: 1 5/16"      Outlet: 1 5/16"  
 Electric Fan Assembly: Z40130, Z40131

➤ **205233** : '10-'11 Chevrolet Camaro



Overall Depth: 2 1/2"      Core Depth: 2 1/8"  
 Inlet: 1 5/16"      Outlet: 1 5/16"

# MUSCLE CAR CONVERSION RADIATOR

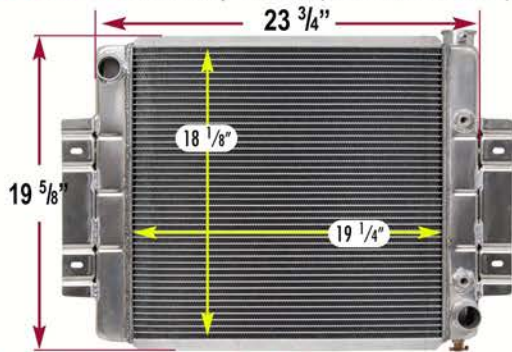
MUSCLE CAR RADIATORS



➤ These radiators are designed for vehicles using engines not originally installed in the vehicle.

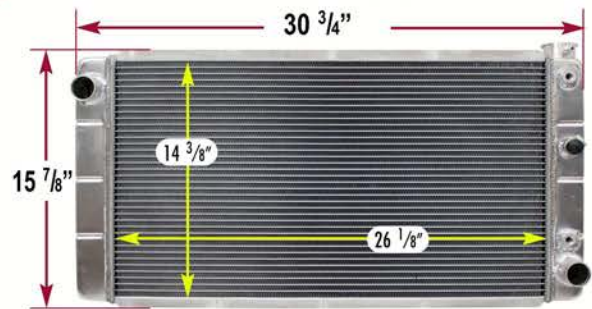
Many Muscle Cars are restored or re-done with a different engine than what came as OE. Northern Radiator recognizes this and offers a variety of options when converting to a different engine.

➤ **205054** : '73-'85 Jeep CJ Series (w/V8 Eng. Conversion)



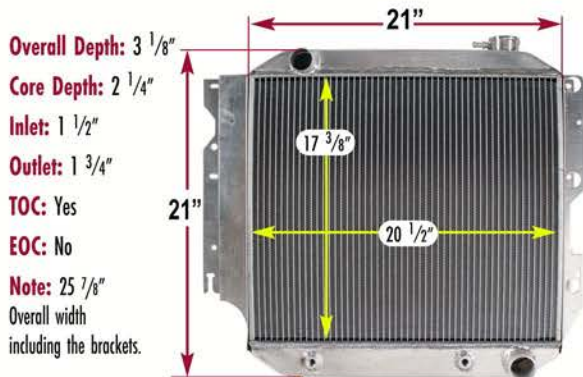
Overall Depth: 3 1/8"    Core Depth: 2 1/4"  
 Inlet: 1 1/2"    Outlet: 1 1/2"    TOC: Yes    EOC: No  
 Hurricane Engine Driven Fan Shroud: Z40024  
 Electric Fan Assembly: Z41035, Z40094, Z40098  
 Note: 28" Overall width including the brackets.

➤ **205067** : '82-'93 S-10 Blazer/Jimmy w/V8 Engine Conversion



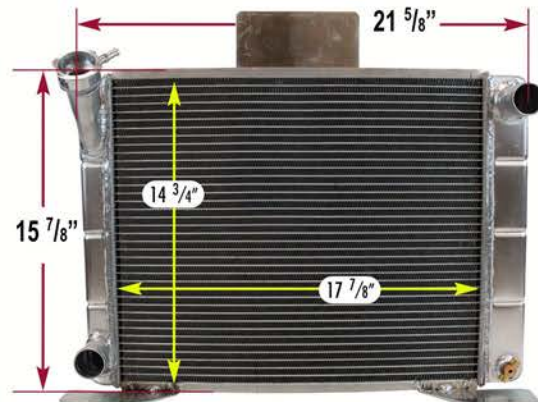
Overall Depth: 3 1/8"    Core Depth: 2 1/4"  
 Inlet: 1 1/2"    Outlet: 1 1/2"    TOC: Yes    EOC: No  
 Hurricane Engine Driven Fan Shroud: Z40028  
 Electric Fan Assembly: Z40071, Z40092

**205088** : '87-'06 Jeep Wrangler w/V8 Engine Conversion



Overall Depth: 3 1/8"  
 Core Depth: 2 1/4"  
 Inlet: 1 1/2"  
 Outlet: 1 3/4"  
 TOC: Yes  
 EOC: No  
 Note: 25 7/8" Overall width including the brackets.

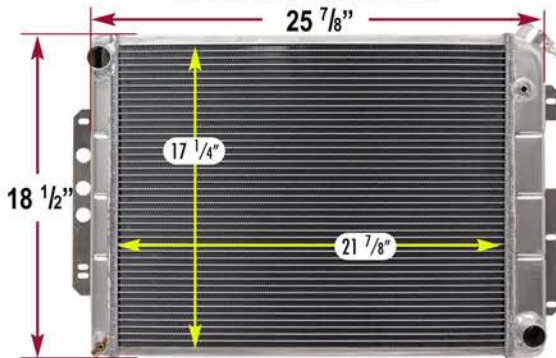
➤ **205138** : '82-'94 Ford Ranger w/V8 Eng. Conversion



Overall Depth: 3 1/8"    Core Depth: 2 1/4"  
 Inlet: 1 1/2"    Outlet: 1 1/2"    TOC: No    EOC: No

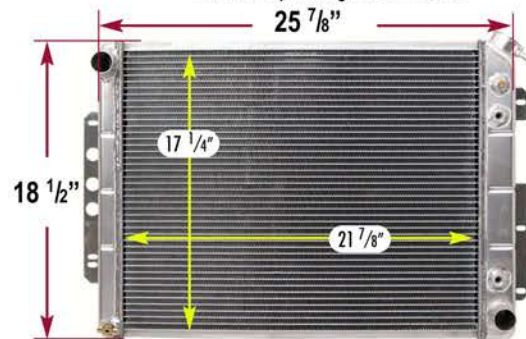
# MUSCLE CAR CONVERSION RADIATOR Illustrations

➤ **205140** : '67-'69 Camaro, '67-'69 Pontiac Firebird, TransAM w/LS1 Eng. Conversion



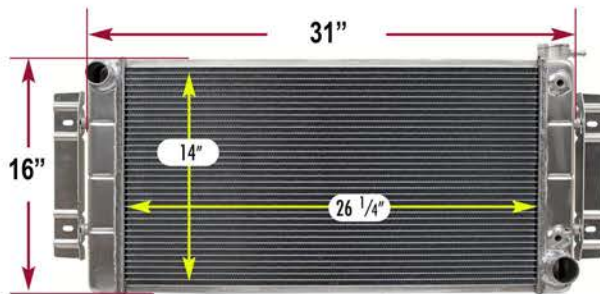
**Overall Depth:** 3 1/8" **Core Depth:** 2 1/4"  
**Inlet:** 1 3/8" **Outlet:** 1 1/2" **TOC:** No **EOC:** No  
**Electric Fan Assembly:** Z40013, Z40086  
**Hurricane Engine Driven Fan Shroud:** Z40030  
**Note:** Use Z50720 Shroud Clip Bracket Kit-Allows for use of OE Shroud, 27 5/8" Overall width including the brackets.

➤ **205141** : '67-'69 Camaro, Pontiac Firebird, TransAM w/LS Engine Conversion



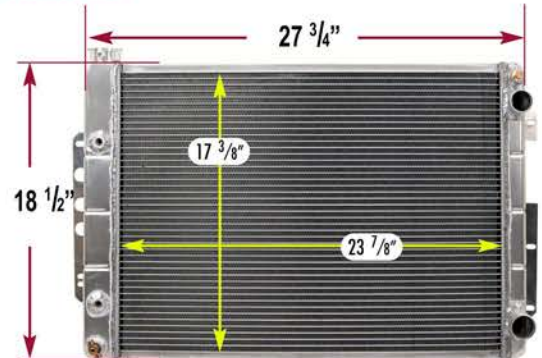
**Overall Depth:** 3 1/8" **Core Depth:** 2 1/4"  
**Inlet:** 1 3/8" **Outlet:** 1 3/8" **TOC:** Yes **EOC:** No  
**Hurricane Engine Driven Fan Shroud:** Z40030  
**Electric Fan Assembly:** Z40013, Z40086  
**Note:** Use Z50720 Shroud Clip Bracket Kit-Allows for use of OE Shroud, 27 5/8" Overall width including the brackets.

➤ **205142** : '55-'57 Chevy Crossflow Conversion



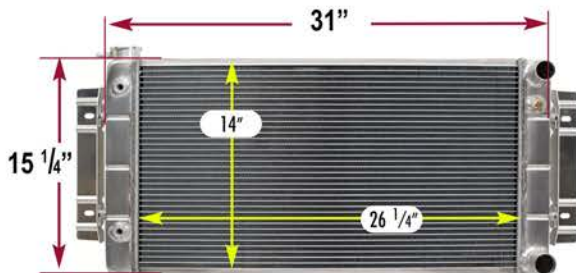
**Overall Depth:** 3 1/8" **Core Depth:** 2 1/4"  
**Inlet:** 1 1/2" **Outlet:** 1 3/4" **TOC:** Yes **EOC:** No  
**Electric Fan Assembly:** Z40100, Z40101  
**Note:** This radiator includes bracket kit. Installation of radiator will require modification of the vehicles radiator core support. 36" Overall width including the brackets.

➤ **205182** : '67-'69 Camaro w/LS Eng. Conv. Double Pass



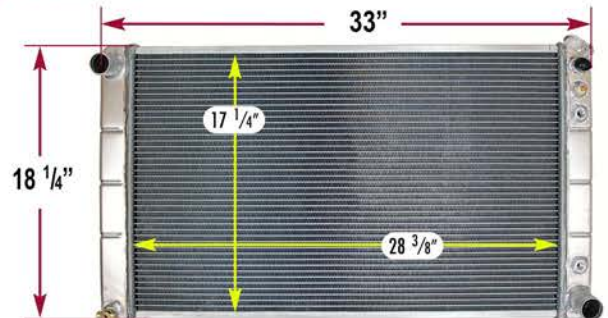
**Overall Depth:** 3 1/8" **Core Depth:** 2 1/4" **PORT:** 1/8" NPT (Steam Port)  
**Inlet:** 1 3/8" **Outlet:** 1 1/2" **TOC:** Yes **EOC:** No  
**Hurricane Engine Driven Fan Shroud:** Z40030  
**Electric Fan Assembly:** Z40013, Z40086

➤ **205183** : '55-'57 Chevy Bel-Air w/LS Eng. Conv. Double Pass



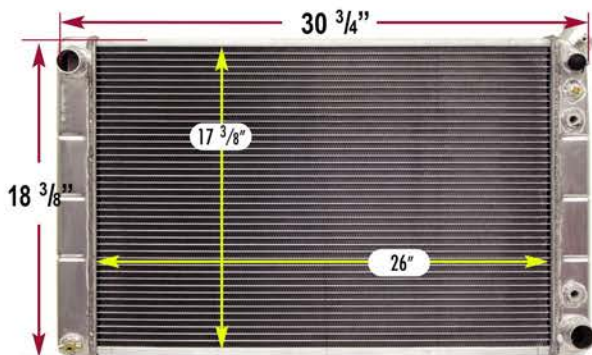
**Overall Depth:** 3" **Core Depth:** 2 1/4" **PORT:** 1/8" NPT (Steam Port)  
**Inlet:** 1 3/8" **Outlet:** 1 1/2" **TOC:** Yes **EOC:** No  
**Electric Fan Assembly:** Z40100, Z40101  
**Note:** This radiator includes bracket kit. Installation of radiator will require modification of the vehicles radiator core support. 36" Overall width including the brackets.

➤ **205215** : '65-'86 GM Cars, '72-'91 GMC Trucks/Vans, w/LS Conversion



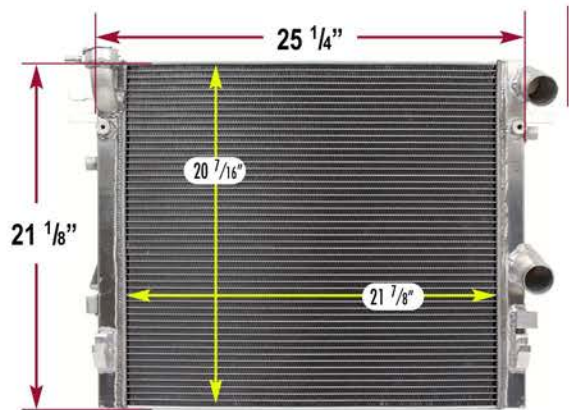
**Overall Depth:** 3 1/8" **Core Depth:** 2 1/4"  
**Inlet:** 1 3/8" **Outlet:** 1 1/2" **TOC:** Yes, 5/16" Inverted Flare **EOC:** No  
**Hurricane Engine Driven Fan Shroud:** Z40026  
**Electric Fan Assembly:** Z40004, Z40099

➤ **205216** : '65-'90 GM Cars, '72-'87 GMC Trucks/Vans



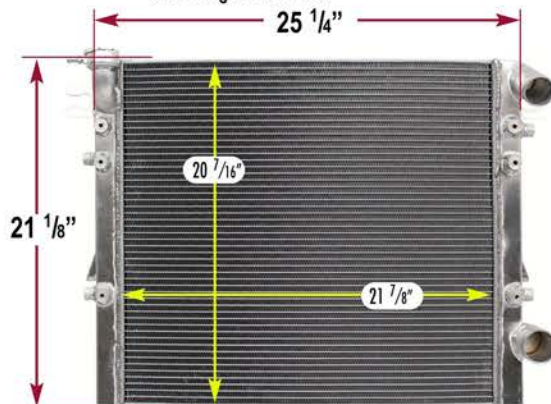
**Overall Depth:** 3 1/8"    **Core Depth:** 2 1/4"  
**Inlet:** 1 3/8"    **Outlet:** 1 1/2"    **TOC:** Yes, 5/16" Inverted Flare    **EOC:** No  
**Electric Fan Assembly:** Z40006, Z40082

➤ **205219** : '07-'16 Jeep Wrangler w/Hemi Connection & OE Electric Fan



**Overall Depth:** 2"    **Core Depth:** 1 5/8"  
**Inlet:** 1 3/4"    **Outlet:** 1 3/4"    **TOC:** No    **EOC:** No

➤ **205220** : '07-'16 Jeep Wrangler w/Hemi Connection & OE Eng. Driven Fan



**Overall Depth:** 2"    **Core Depth:** 1 5/8"  
**Inlet:** 1 3/4"    **Outlet:** 2"    **TOC:** No    **EOC:** No

# Sport Compact APPLICATIONS

Year	Engine	Notes	Muscle Car M / T	Radiator A / T	Hurricane Engine Driven Fan Shroud	SINGLE Fan Assembly Up to 390HP	DUAL Fan Assembly Up to 390HP	MAX Fan Assembly Over 390HP
<b>ACURA</b>								
<b>INTEGRA</b>								
2001	1.8L	M/T	205245	.....	.....	.....	.....	.....
2000	1.8L	M/T	205245	.....	.....	.....	.....	.....
1999	1.8L	M/T	205245	.....	.....	.....	.....	.....
1998	1.8L	M/T	205245	.....	.....	.....	.....	.....
1997	1.8L	M/T	205245	.....	.....	.....	.....	.....
1996	1.8L	M/T	205245	.....	.....	.....	.....	.....
1995	1.8L	M/T	205245	.....	.....	.....	.....	.....
1994	1.8L	M/T	205245	.....	.....	.....	.....	.....
<b>RSX</b>								
2006	2.0L	M/T	205236	.....	.....	.....	.....	.....
2005	2.0L	M/T	205236	.....	.....	.....	.....	.....
2004	2.0L	M/T	205236	.....	.....	.....	.....	.....
2003	2.0L	M/T	205236	.....	.....	.....	.....	.....
2002	2.0L	M/T	205236	.....	.....	.....	.....	.....
<b>BMW</b>								
<b>323iC/iS</b>								
1999	2.5L	M/T	205224	.....	.....	.....	.....	.....
1998	2.5L	M/T	205224	.....	.....	.....	.....	.....
<b>325i</b>								
1991	2.5L	M/T	205224	.....	.....	.....	.....	.....
1990	2.5L	M/T	205224	.....	.....	.....	.....	.....
1989	2.5L	M/T	205224	.....	.....	.....	.....	.....
1988	2.5L	M/T	205224	.....	.....	.....	.....	.....
<b>323iC/iC/iS</b>								
1995	2.5L	M/T	205224	.....	.....	.....	.....	.....
1994	2.5L	M/T	205224	.....	.....	.....	.....	.....
1993	2.5L	M/T	205224	.....	.....	.....	.....	.....
1992	2.5L	M/T	205224	.....	.....	.....	.....	.....
1998	2.8L	M/T	205224	.....	.....	.....	.....	.....
1997	2.8L	M/T	205224	.....	.....	.....	.....	.....
1996	2.8L	M/T	205224	.....	.....	.....	.....	.....
<b>M3</b>								
1999	3.2L	M/T	205224	.....	.....	.....	.....	.....
1998	3.2L	M/T	205224	.....	.....	.....	.....	.....
1997	3.2L	M/T	205224	.....	.....	.....	.....	.....
1996	3.2L	M/T	205224	.....	.....	.....	.....	.....
1995	3.0L	M/T	205224	.....	.....	.....	.....	.....
<b>HONDA</b>								
<b>ACCORD</b>								
1997	2.2L	M/T	205241	.....	.....	.....	.....	.....
1996	2.2L	M/T	205241	.....	.....	.....	.....	.....
1995	2.2L	M/T	205241	.....	.....	.....	.....	.....
1994	2.2L	M/T	205241	.....	.....	.....	.....	.....
<b>CIVIC</b>								
2005	1.7L	M/T	205238	.....	.....	.....	.....	.....
2004	1.7L	M/T	205238	.....	.....	.....	.....	.....
2003	1.7L	M/T	205238	.....	.....	.....	.....	.....
2002	1.7L	M/T	205238	.....	.....	.....	.....	.....
2001	1.7L	M/T	205238	.....	.....	.....	.....	.....

# Sport Compact APPLICATIONS

Year	Engine	Notes	Muscle Car M / T	Radiator A / T	Hurricane Engine Driven Fan Shroud	SINGLE Fan Assembly Up to 390HP	DUAL Fan Assembly Up to 390HP	MAX Fan Assembly Over 390HP
<b>HONDA</b>								
<b>CIVIC</b>								
2000	1.6L	M/T	205226	-----	-----	-----	-----	-----
1999	1.6L	M/T	205226	-----	-----	-----	-----	-----
1998	1.6L	M/T	205226	-----	-----	-----	-----	-----
1997	1.6L	M/T	205226	-----	-----	-----	-----	-----
1996	1.6L	M/T	205226	-----	-----	-----	-----	-----
1995	1.5L	M/T	205226	-----	-----	-----	-----	-----
1995	1.6L	M/T	205226	-----	-----	-----	-----	-----
1994	1.5L	M/T	205226	-----	-----	-----	-----	-----
	1.6L	M/T	205226	-----	-----	-----	-----	-----
1993	1.5L	M/T	205226	-----	-----	-----	-----	-----
	1.6L	M/T	205226	-----	-----	-----	-----	-----
1992	1.5L	M/T	205226	-----	-----	-----	-----	-----
	1.6L	M/T	205226	-----	-----	-----	-----	-----
<b>CIVIC DEL SOL</b>								
1995	1.5L	M/T	205226	-----	-----	-----	-----	-----
	1.6L	M/T	205226	-----	-----	-----	-----	-----
1994	1.5L	M/T	205226	-----	-----	-----	-----	-----
	1.6L	M/T	205226	-----	-----	-----	-----	-----
1993	1.5L	M/T	205226	-----	-----	-----	-----	-----
	1.6L	M/T	205226	-----	-----	-----	-----	-----
<b>PRELUDE</b>								
2001	2.2L	M/T	205241	-----	-----	-----	-----	-----
2000	2.2L	M/T	205241	-----	-----	-----	-----	-----
1999	2.2L	M/T	205241	-----	-----	-----	-----	-----
1998	2.2L	M/T	205241	-----	-----	-----	-----	-----
1997	2.2L	M/T	205241	-----	-----	-----	-----	-----
<b>MAZDA</b>								
<b>MIATA</b>								
1997	1.8L	M/T	205227	-----	-----	-----	-----	-----
1996	1.8L	M/T	205227	-----	-----	-----	-----	-----
1995	1.8L	M/T	205227	-----	-----	-----	-----	-----
1994	1.8L	M/T	205227	-----	-----	-----	-----	-----
1993	1.6L	M/T	205227	-----	-----	-----	-----	-----
1992	1.6L	M/T	205227	-----	-----	-----	-----	-----
1991	1.6L	M/T	205227	-----	-----	-----	-----	-----
1990	1.6L	M/T	205227	-----	-----	-----	-----	-----
<b>MIATA MX-5</b>								
2005	1.8L	M/T	205235	-----	-----	-----	-----	-----
2004	1.8L	M/T	205235	-----	-----	-----	-----	-----
2003	1.8L	M/T	205235	-----	-----	-----	-----	-----
2002	1.8L	M/T	205235	-----	-----	-----	-----	-----
2001	1.8L	M/T	205235	-----	-----	-----	-----	-----
2000	1.8L	M/T	205235	-----	-----	-----	-----	-----
1999	1.8L	M/T	205235	-----	-----	-----	-----	-----
1998	1.8L	M/T	205235	-----	-----	-----	-----	-----
<b>MITSUBISHI</b>								
<b>ECLIPSE</b>								
1994	2.0L	M/T	205242	-----	-----	-----	-----	-----
1993	2.0L	M/T	205242	-----	-----	-----	-----	-----

# Sport Compact APPLICATIONS

Year	Engine	Notes	Muscle Car M / T	Radiator A / T	Hurricane Engine Driven Fan Shroud	SINGLE Fan Assembly Up to 390HP	DUAL Fan Assembly Up to 390HP	MAX Fan Assembly Over 390HP
<b>MITSUBISHI</b>								
<b>ECLIPSE (CONT.)</b>								
1992	2.0L	M/T	205242	.....	.....	.....	.....	.....
1991	2.0L	M/T	205242	.....	.....	.....	.....	.....
1990	2.0L	M/T	205242	.....	.....	.....	.....	.....
<b>LANCER</b>								
2007	2.0L	M/T, w/ Turbo	205225	.....	.....	.....	.....	.....
2006	2.0L	M/T, w/ Turbo	205225	.....	.....	.....	.....	.....
2005	2.0L	M/T, w/ Turbo	205225	.....	.....	.....	.....	.....
2004	2.0L	M/T, w/ Turbo	205225	.....	.....	.....	.....	.....
2003	2.0L	M/T, w/ Turbo	205225	.....	.....	.....	.....	.....
<b>LANCER EVOLUTION</b>								
2015	2.0L	M/T, w/ Turbo	205240	.....	.....	.....	.....	.....
2014	2.0L	M/T, w/ Turbo	205240	.....	.....	.....	.....	.....
2013	2.0L	M/T, w/ Turbo	205240	.....	.....	.....	.....	.....
2012	2.0L	M/T, w/ Turbo	205240	.....	.....	.....	.....	.....
2011	2.0L	M/T, w/ Turbo	205240	.....	.....	.....	.....	.....
2010	2.0L	M/T, w/ Turbo	205240	.....	.....	.....	.....	.....
2009	2.0L	M/T, w/ Turbo	205240	.....	.....	.....	.....	.....
2008	2.0L	M/T, w/ Turbo	205240	.....	.....	.....	.....	.....
2001	2.0L	M/T	205239	.....	.....	.....	.....	.....
2000	2.0L	M/T	205239	.....	.....	.....	.....	.....
1999	2.0L	M/T	205239	.....	.....	.....	.....	.....
1998	2.0L	M/T	205239	.....	.....	.....	.....	.....
1997	2.0L	M/T	205239	.....	.....	.....	.....	.....
1996	2.0L	M/T	205239	.....	.....	.....	.....	.....
<b>NISSAN</b>								
<b>240SX</b>								
1998	2.4L	M/T, w/ KA24 Engine	205244	.....	.....	.....	.....	.....
1997	2.4L	M/T, w/ KA24 Engine	205244	.....	.....	.....	.....	.....
1996	2.4L	M/T, w/ KA24 Engine	205244	.....	.....	.....	.....	.....
1995	2.4L	M/T, w/ KA24 Engine	205244	.....	.....	.....	.....	.....
1994	2.0L	M/T, w/ SR20 Engine	205229	.....	.....	.....	.....	.....
1993	2.0L	M/T, w/ SR20 Engine	205229	.....	.....	.....	.....	.....
1992	2.0L	M/T, w/ SR20 Engine	205229	.....	.....	.....	.....	.....
1991	2.0L	M/T, w/ SR20 Engine	205229	.....	.....	.....	.....	.....
1990	2.0L	M/T, w/ SR20 Engine	205229	.....	.....	.....	.....	.....
1989	2.0L	M/T, w/ SR20 Engine	205229	.....	.....	.....	.....	.....
<b>350Z</b>								
2006	3.5L	M/T	205228	.....	.....	.....	.....	.....
2005	3.5L	M/T	205228	.....	.....	.....	.....	.....
2004	3.5L	M/T	205228	.....	.....	.....	.....	.....
2003	3.5L	M/T	205228	.....	.....	.....	.....	.....
<b>SUBARU</b>								
<b>FORESTER</b>								
2013	2.5L	M/T, w/o Turbo, includes XT models	205222	.....	.....	.....	.....	.....
2012	2.5L	M/T, w/o Turbo, includes XT models	205222	.....	.....	.....	.....	.....
2011	2.5L	M/T, w/o Turbo, includes XT models	205222	.....	.....	.....	.....	.....
2010	2.5L	M/T, w/o Turbo, includes XT models	205222	.....	.....	.....	.....	.....
2009	2.5L	M/T, w/o Turbo, includes XT models	205222	.....	.....	.....	.....	.....

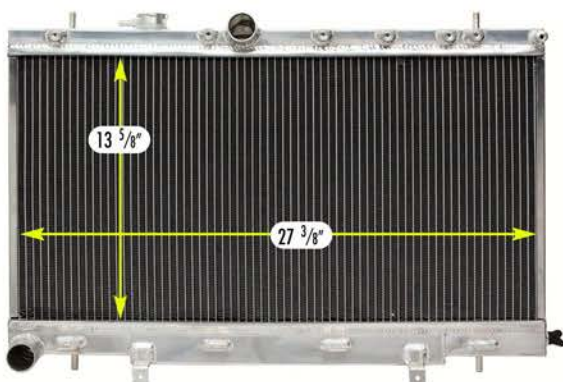
# Sport Compact APPLICATIONS

SPORT COMPACT RADIATORS

Year	Engine	Notes	Muscle Car M / T	Radiator A / T	Hurricane Engine Driven Fan Shroud	SINGLE Fan Assembly Up to 390HP	DUAL Fan Assembly Up to 390HP	MAX Fan Assembly Over 390HP
<b>SUBARU</b>								
<b>FORESTER XT</b>								
2008	2.5L	M/T, w/ Turbo	205230	-----	-----	-----	-----	-----
2007	2.5L	M/T, w/ Turbo	205230	-----	-----	-----	-----	-----
2006	2.5L	M/T, w/ Turbo	205230	-----	-----	-----	-----	-----
2005	2.5L	M/T, w/ Turbo	205230	-----	-----	-----	-----	-----
2004	2.5L	M/T, w/ Turbo	205230	-----	-----	-----	-----	-----
<b>IMPREZA</b>								
2014	2.5L	M/T, includes WRX & STI Models	205222	-----	-----	-----	-----	-----
2013	2.5L	M/T, includes WRX & STI Models	205222	-----	-----	-----	-----	-----
2012	2.5L	M/T, includes WRX & STI Models	205222	-----	-----	-----	-----	-----
2011	2.5L	M/T, includes WRX & STI Models	205222	-----	-----	-----	-----	-----
2010	2.5L	M/T, includes WRX & STI Models	205222	-----	-----	-----	-----	-----
2009	2.5L	M/T, includes WRX & STI Models	205222	-----	-----	-----	-----	-----
2008	2.5L	M/T, includes WRX & STI Models	205222	-----	-----	-----	-----	-----
<b>LEGACY</b>								
2009	2.5L	M/T, w/o Turbo, Includes GT models	205222	-----	-----	-----	-----	-----
2008	2.5L	M/T, w/o Turbo, Includes GT models	205222	-----	-----	-----	-----	-----
2007	2.5L	M/T, w/o Turbo, Includes GT models	205222	-----	-----	-----	-----	-----
2006	2.5L	M/T, w/o Turbo, Includes GT models	205222	-----	-----	-----	-----	-----
2005	2.5L	M/T, w/o Turbo"	205222	-----	-----	-----	-----	-----
<b>OUTBACK</b>								
2009	2.5L	M/T, w/o Turbo, includes XT models	205222	-----	-----	-----	-----	-----
2008	2.5L	M/T, w/o Turbo, includes XT models	205222	-----	-----	-----	-----	-----
2007	2.5L	M/T, w/o Turbo, includes XT models	205222	-----	-----	-----	-----	-----
2006	2.5L	M/T, w/o Turbo, includes XT models	205222	-----	-----	-----	-----	-----
2005	2.5L	M/T, w/o Turbo"	205222	-----	-----	-----	-----	-----
<b>WRX</b>								
2007	2.5L	M/T, w/ Turbo	205221	-----	-----	-----	-----	-----
2006	2.5L	M/T, w/ Turbo	205221	-----	-----	-----	-----	-----
2005	2.5L	M/T, w/ Turbo	205221	-----	-----	-----	-----	-----
2005	2.0L	M/T	205221	-----	-----	-----	-----	-----
2004	2.5L	M/T, w/ Turbo	205221	-----	-----	-----	-----	-----
2004	2.0L	M/T	205221	-----	-----	-----	-----	-----
2003	2.5L	M/T, w/ Turbo	205221	-----	-----	-----	-----	-----
2003	2.0L	M/T	205221	-----	-----	-----	-----	-----
2002	2.5L	M/T, w/ Turbo	205221	-----	-----	-----	-----	-----
2015	2.0L	M/T	205223	-----	-----	-----	-----	-----
2016	2.0L	M/T	205223	-----	-----	-----	-----	-----
<b>TOYOTA</b>								
<b>SUPRA</b>								
1998	3.0L	M/T	205237	-----	-----	-----	-----	-----
1997	3.0L	M/T	205237	-----	-----	-----	-----	-----
1996	3.0L	M/T	205237	-----	-----	-----	-----	-----
1995	3.0L	M/T	205237	-----	-----	-----	-----	-----
1994	3.0L	M/T	205237	-----	-----	-----	-----	-----
1993	3.0L	M/T	205237	-----	-----	-----	-----	-----
1992	3.0L	M/T, w/o Turbo	205243	-----	-----	-----	-----	-----
1991	3.0L	M/T, w/o Turbo	205243	-----	-----	-----	-----	-----
1990	3.0L	M/T, w/o Turbo	205243	-----	-----	-----	-----	-----
1989	3.0L	M/T, w/o Turbo	205243	-----	-----	-----	-----	-----
1988	3.0L	M/T, w/o Turbo	205243	-----	-----	-----	-----	-----
1987	3.0L	M/T, w/o Turbo	205243	-----	-----	-----	-----	-----
1986	3.0L	M/T, w/o Turbo	205243	-----	-----	-----	-----	-----

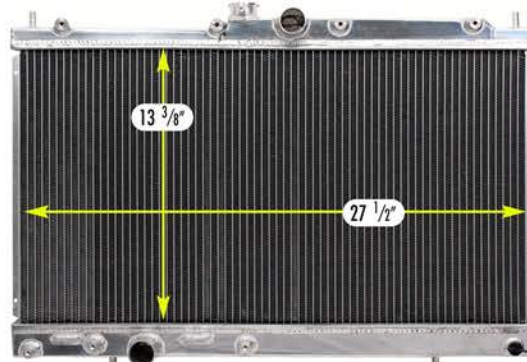
# Sport Compact Illustrations

➤ **205221** : '07-'15 Subaru WRX



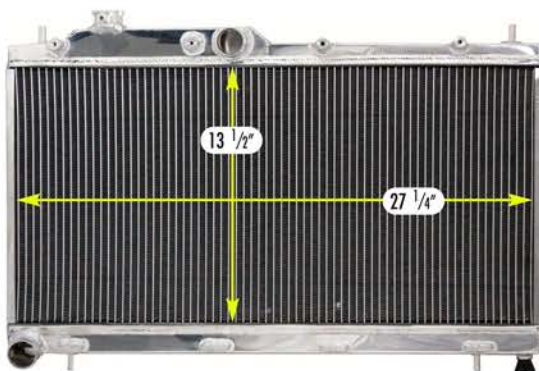
**Core Dimensions:** 13 <sup>5</sup>/<sub>8</sub>" x 27 <sup>3</sup>/<sub>8</sub>" x 1 <sup>5</sup>/<sub>8</sub>"  
**Inlet:** 1 <sup>1</sup>/<sub>2</sub>"      **Outlet:** 1 <sup>1</sup>/<sub>2</sub>"

➤ **205222** : '09-'13 Subaru Forester, '08-'14 Impreza, '05-'09 Legacy, '05-'09 Outback



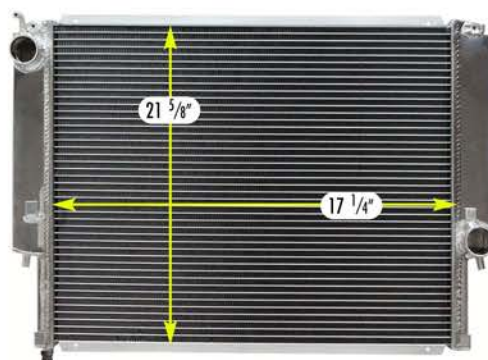
**Core Dimensions:** 13 <sup>3</sup>/<sub>8</sub>" x 27 <sup>1</sup>/<sub>2</sub>" x 1 <sup>5</sup>/<sub>8</sub>"  
**Inlet:** 1 <sup>1</sup>/<sub>2</sub>"      **Outlet:** 1 <sup>1</sup>/<sub>2</sub>"

➤ **205223** : '16-'07 Subaru WRX



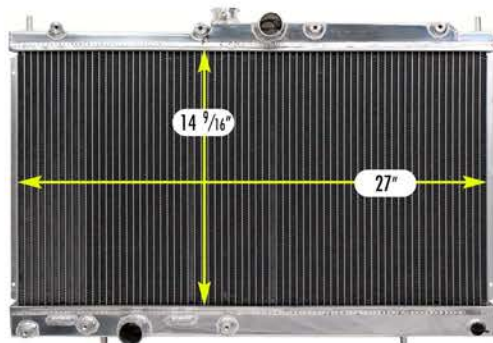
**Core Dimensions:** 13 <sup>1</sup>/<sub>2</sub>" x 27 <sup>1</sup>/<sub>4</sub>" x 1 <sup>1</sup>/<sub>4</sub>"  
**Inlet:** 1 <sup>1</sup>/<sub>2</sub>"      **Outlet:** 1 <sup>1</sup>/<sub>2</sub>"

➤ **205224** : '98-'99 BMW 312ic/is, '88-'91 325i, '92-'95 325i/ic/is, '96-'98 328i/ic/is



**Core Dimensions:** 21 <sup>5</sup>/<sub>8</sub>" x 17 <sup>1</sup>/<sub>4</sub>" x 2 <sup>1</sup>/<sub>8</sub>"  
**Inlet:** 1 <sup>5</sup>/<sub>8</sub>"      **Outlet:** 1 <sup>5</sup>/<sub>8</sub>"  
**Note:** For automatic applications, please purchase external transmission cooler Z18059

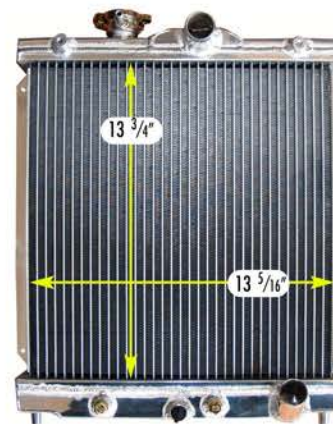
➤ **205225** : '03-'07 Mitsubishi Lancer



**Core Dimensions:** 14 <sup>9</sup>/<sub>16</sub>" x 27" x 2 <sup>1</sup>/<sub>8</sub>"  
**Inlet:** 1 <sup>3</sup>/<sub>8</sub>"      **Outlet:** 1 <sup>3</sup>/<sub>8</sub>"  
**Note:** For automatic applications, please purchase external transmission cooler Z18059

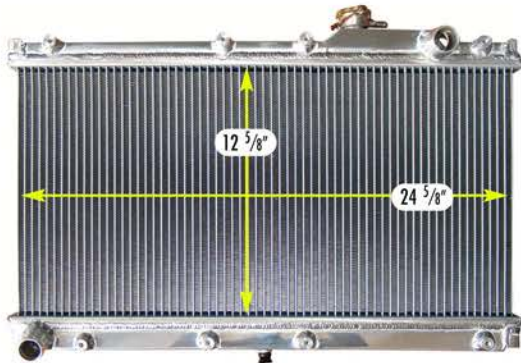
➤ **205226** : '92-'00 Honda Civic, '93-'95 Civic Del Sol

**Core Dimensions:** 13 <sup>3</sup>/<sub>4</sub>" x 13 <sup>5</sup>/<sub>16</sub>" x 2 <sup>1</sup>/<sub>8</sub>"  
**Inlet:** 1 <sup>1</sup>/<sub>4</sub>"  
**Outlet:** 1 <sup>1</sup>/<sub>4</sub>"  
**Note:** For automatic applications, please purchase external transmission cooler Z18059



# Sport Compact Illustrations

► **205227**: '90-'97 Mazda Miata

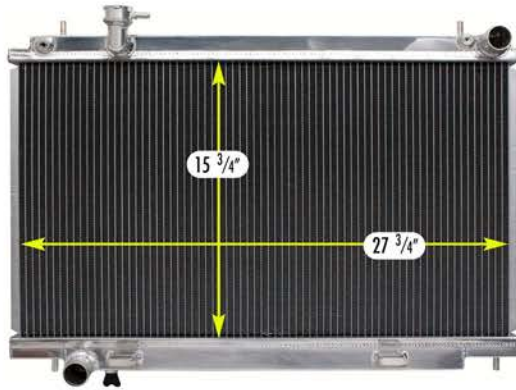


**Core Dimensions:** 12 5/8" x 24 5/8" x 2 1/8"

**Inlet:** 1 1/4"      **Outlet:** 1 1/4"

**Note:** For automatic applications, please purchase external transmission cooler Z18059

► **205228**: '03-'06 Nissan 350Z

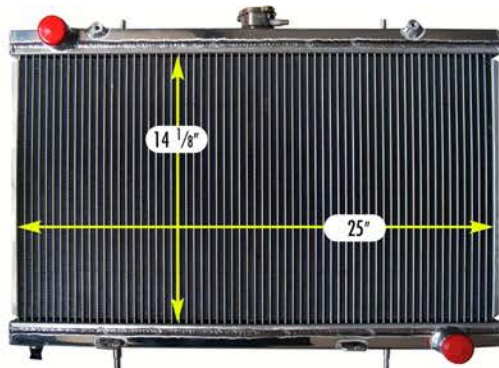


**Core Dimensions:** 15 3/4" x 27 3/4" x 2 1/8"

**Inlet:** 1 3/8"      **Outlet:** 1 3/8"

**Note:** For automatic applications, please purchase external transmission cooler Z18059

► **205229**: '89-'94 Nissan 240SX

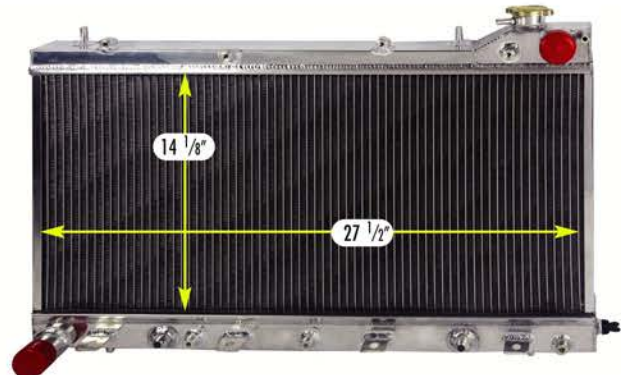


**Core Dimensions:** 14 1/8" x 25" x 2 1/8"

**Inlet:** 1 3/8"      **Outlet:** 1 3/8"

**Note:** For automatic applications, please purchase external transmission cooler Z18059

► **205230**: '04-'08 Subaru Forester XT

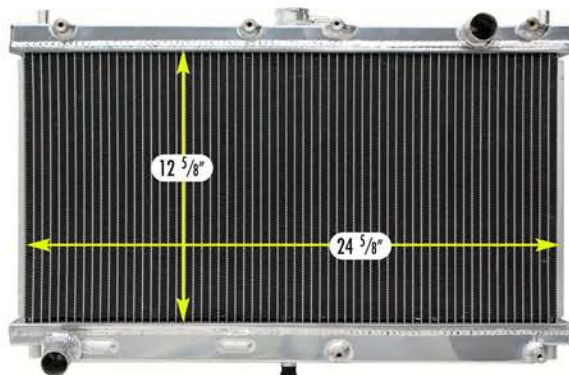


**Core Dimensions:** 14 1/8" x 27 1/2" x 2 1/8"

**Inlet:** 1 1/2"      **Outlet:** 1 1/2"

**Note:** For automatic applications, please purchase external transmission cooler Z18059

► **205235**: '98-'05 Mazda Miata MX-5

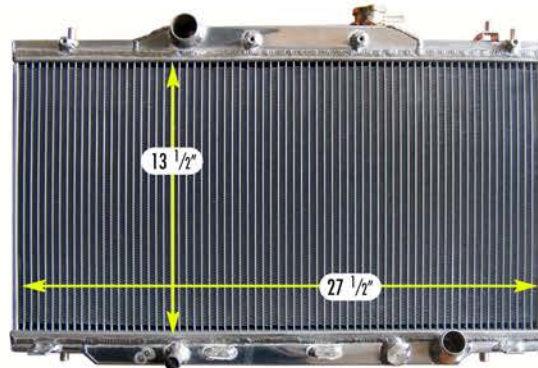


**Core Dimensions:** 12 5/8" x 24 5/8" x 2 1/8"

**Inlet:** 1 1/4"      **Outlet:** 1 1/4"

**Note:** For automatic applications, please purchase external transmission cooler Z18059

► **205236**: '02-'06 Acura RSX



**Core Dimensions:** 13 1/2" x 27 1/2" x 1 7/16"

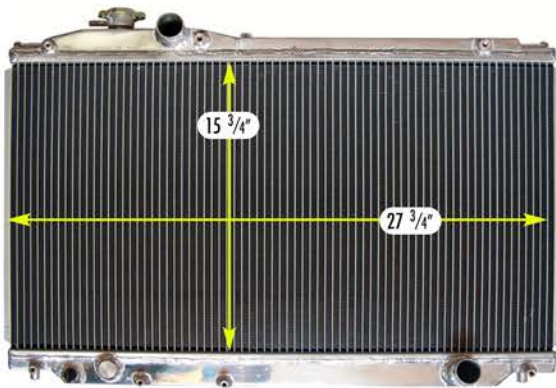
**Inlet:** 1 1/4"      **Outlet:** 1 1/4"

**Note:** For automatic applications, please purchase external transmission cooler Z18059

# Sport Compact Illustrations

SPORT COMPACT RADIATORS

➤ **205237** : '93-'98 Toyota Supra

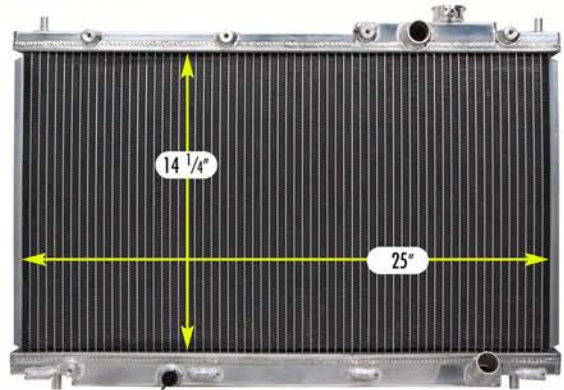


**Core Dimensions:** 15 3/4" x 27 3/4" x 2 1/8"

**Inlet:** 1 3/8"      **Outlet:** 1 3/8"

**Note:** For automatic applications, please purchase external transmission cooler Z18059

➤ **205238** : '01-'05 Honda Civic

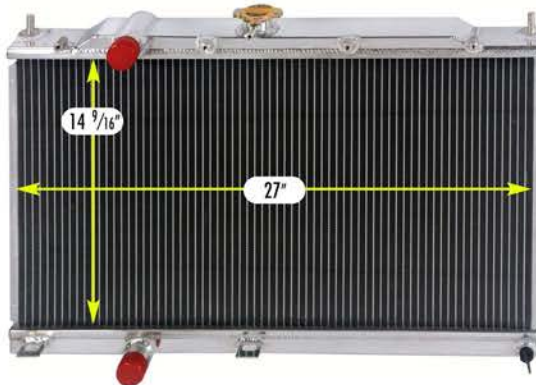


**Core Dimensions:** 14 1/4" x 25" x 1 5/8"

**Inlet:** 1 1/4"      **Outlet:** 1 1/4"

**Note:** For automatic applications, please purchase external transmission cooler Z18059

➤ **205239** : '96-'01 Mitsubishi Lancer Evolution

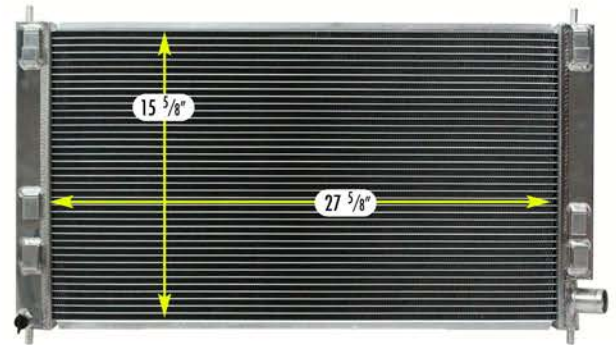


**Core Dimensions:** 14 9/16" x 27" x 2 1/8"

**Inlet:** 1 3/8"      **Outlet:** 1 3/8"

**Note:** For automatic applications, please purchase external transmission cooler Z18059

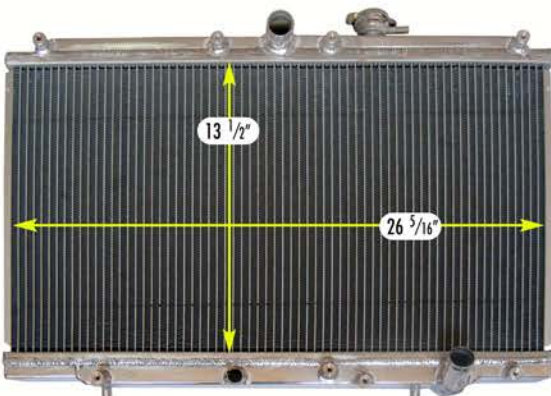
➤ **205240** : '08-'15 Mitsubishi Lancer Evolution



**Core Dimensions:** 15 5/8" x 27 5/8" x 1 5/8"

**Inlet:** 1 3/8"      **Outlet:** 1 3/8"

➤ **205241** : '94-'97 Honda Accord

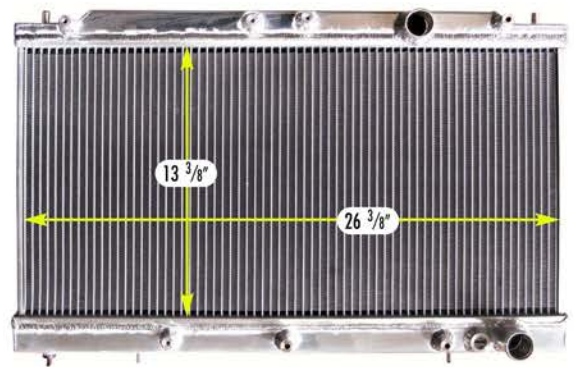


**Core Dimensions:** 13 1/2" x 26 5/16" x 2 1/8"

**Inlet:** 1 1/4"      **Outlet:** 1 1/4"

**Note:** For automatic applications, please purchase external transmission cooler Z18059

➤ **205242** : '90-'94 Mitsubishi Eclipse



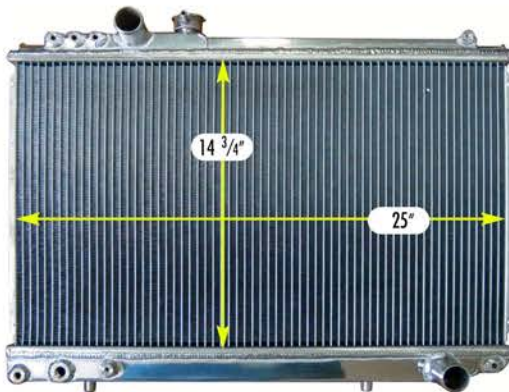
**Core Dimensions:** 13 3/8" x 26 3/8" x 1 5/8"

**Inlet:** 1 3/8"      **Outlet:** 1 3/8"

**Note:** For automatic applications, please purchase external transmission cooler Z18059

# Sport Compact Illustrations

▶ **205243** : '86-'92 Toyota Supra

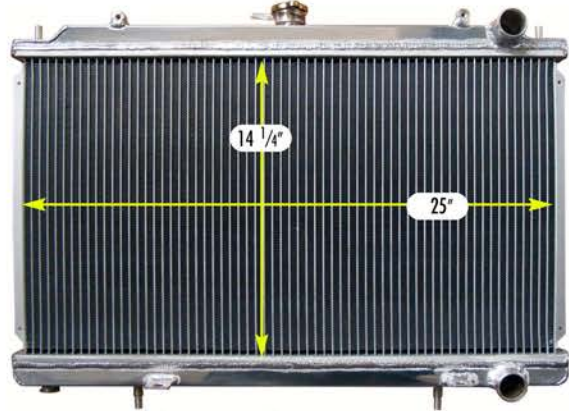


**Core Dimensions:** 14 3/4" x 25 1/8" x 2 1/8"

**Inlet:** 1 3/8"      **Outlet:** 1 3/8"

**Note:** For automatic applications, please purchase external transmission cooler Z18059

▶ **205244** : '95-'98 Nissan 240SX

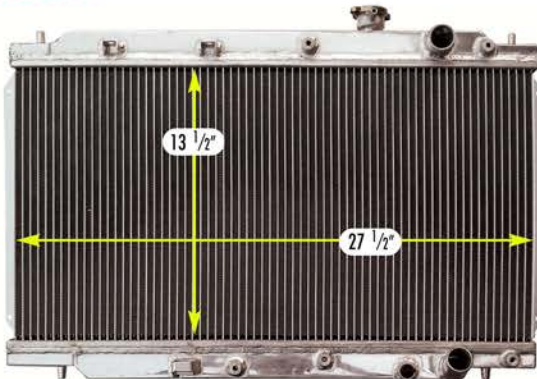


**Core Dimensions:** 14 1/4" x 25" x 2 1/8"

**Inlet:** 1 1/4"      **Outlet:** 1 1/4"

**Note:** For automatic applications, please purchase external transmission cooler Z18059

▶ **205245** : '94-'01 Acura Integra



**Core Dimensions:** 13 1/2" x 27 1/2" x 1 5/8"

**Inlet:** 1 1/4"      **Outlet:** 1 1/4"

**Note:** For automatic applications, please purchase external transmission cooler Z18059, The OEM fan will not fit and cannot be reused, see electric 12" fan BM346959

# Diesel Pickup Truck Radiator APPLICATIONS

Year	Engine	Notes	Part #
<b>CHEVROLET</b>			
<b>SILVERADO PICKUP</b>			
2016	6.6L	2500HD / 3500HD	CR13244
2015	6.6L	2500HD / 3500HD	CR13244
2014	6.6L	2500HD / 3500HD	CR13244
2013	6.6L	2500HD / 3500HD	CR13244
2012	6.6L	2500HD / 3500HD	CR13244
2011	6.6L	2500HD / 3500HD	CR13244
2010	6.6L	DIESEL; A/T	CR2857
2009	6.6L	DIESEL; A/T	CR2857
2008	6.6L	DIESEL; A/T	CR2857
2007	6.6L	DIESEL; A/T	CR2857
2006	6.6L	DIESEL; A/T	CR2857
2005	6.6L		CR2510
2004	6.6L		CR2510
2004	6.6L	A/T	CR2510
2003	6.6L	A/T	CR2510
2002	6.6L	A/T	CR2510
2001	6.6L	A/T	CR2510

## DODGE

### RAM PICKUP

2018	6.7L	DIESEL, PRIMARY RADIATOR	CR13490
2017	6.7L	DIESEL, PRIMARY RADIATOR	CR13490
2016	6.7L	DIESEL, PRIMARY RADIATOR	CR13490
2015	6.7L	DIESEL, PRIMARY RADIATOR	CR13490
2014	6.7L	DIESEL, PRIMARY RADIATOR	CR13490
2013	6.7L	DIESEL, PRIMARY RADIATOR	CR13490
2012	6.7L	DIESEL	CR13296
2011	6.7L	DIESEL	CR13296
2010	6.7L	DIESEL	CR13296
2009	5.9L	DIESEL	CR2711
	6.7L	DIESEL	CR2711
2008	5.9L	DIESEL	CR2711
	6.7L	DIESEL	CR2711
2007	5.9L	DIESEL	CR2711
	6.7L	DIESEL	CR2711
2006	5.9L	DIESEL	CR2711
2005	5.9L	DIESEL	CR2711
2004	5.9L	DIESEL	CR2711
2003	5.9L	TURBO DIESEL	CR2711

## FORD

### EXCURSION

2005	6.0L		CR2887
2004	6.0L		CR2887
2003	6.0L		CR2887

# Diesel Pickup Truck Radiator APPLICATIONS

Year	Engine	Notes	Part #
------	--------	-------	--------

## FORD

### F SERIES PICKUP

2010	6.4L	REQUIRES FORD INSTALLATION KIT 8C3Z-8B379-B. AVAILABLE THROUGH FORD DEALER	CR13022
2009	6.4L	REQUIRES FORD INSTALLATION KIT 8C3Z-8B379-B. AVAILABLE THROUGH FORD DEALER	CR13022
2008	6.4L	REQUIRES FORD INSTALLATION KIT 8C3Z-8B379-B. AVAILABLE THROUGH FORD DEALER	CR13022
2007	6.0L	A/T WITH 3/4" OR 1/2" TOC FITTINGS	CR2887
2006	6.0L	A/T WITH 3/4" OR 1/2" TOC FITTINGS	CR2887
2005	6.0L	A/T WITH 3/4" OR 1/2" TOC FITTINGS	CR2887
2004	6.0L	A/T WITH 3/4" OR 1/2" TOC FITTINGS	CR2887
2003	6.0L	A/T WITH 3/4" OR 1/2" TOC FITTINGS	CR2887

## GMC

### C/K SERIES PICKUP

2002	6.6L	A/T	CR2510
2001	6.6L	A/T	CR2510

### SIERRA PICKUP

2017	6.6L	2500HD / 3500HD	CR13244
2016	6.6L	2500HD / 3500HD	CR13244
2015	6.6L	2500HD / 3500HD	CR13244
2014	6.6L	2500HD / 3500HD	CR13244
2013	6.6L	2500HD / 3500HD	CR13244
2012	6.6L	2500HD / 3500HD	CR13244
2011	6.6L	2500HD / 3500HD	CR13244
2010	6.6L	DIESEL; A/T	CR2857
2009	6.6L	DIESEL; A/T	CR2857
2008	6.6L	DIESEL; A/T	CR2857
2007	6.6L	DIESEL; A/T	CR2857
2006	6.6L	DIESEL; A/T	CR2857
2005	6.6L	DIESEL; A/T	CR2510
2004	6.6L	DIESEL; A/T	CR2510
2003	6.6L	DIESEL; A/T	CR2510
2002	6.6L	DIESEL; A/T	CR2510
2001	6.6L	DIESEL; A/T	CR2510

DIESEL PICKUP RADIATORS & CHARGE AIR COOLERS

# Diesel Pickup Truck Radiator Illustrations

## ► CR2510

'01-'05 Silverado, Sierra w/6.6L Engine



**Core Dimensions:** 34" x 19 1/2" x 1 7/16"  
**Inlet:** 1 3/4"      **Outlet:** 1 3/4"      **TOC:** Yes

**Row:** 1      **Type:** PTR  
**EOC:** No

## ► CR2711

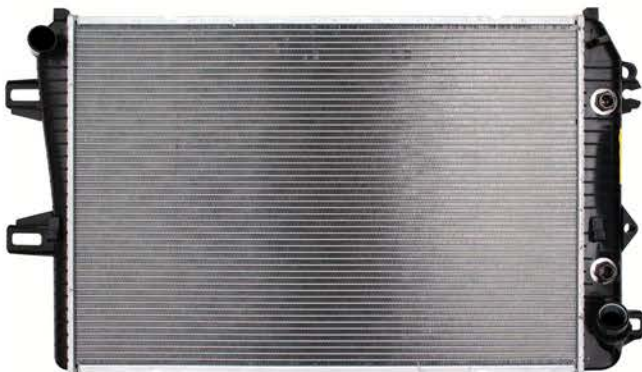
'03-'09 Dodge Ram 5.9L, '07-'09 6.7L Diesel Engine



**Core Dimensions:** 27" x 29 1/4" x 1 5/8"      **Type:** PTR  
**Inlet:** 2"      **Outlet:** 2"

## ► CR2857

'06-'10 Silverado, Sierra with A/T & 6.6L Diesel Engine

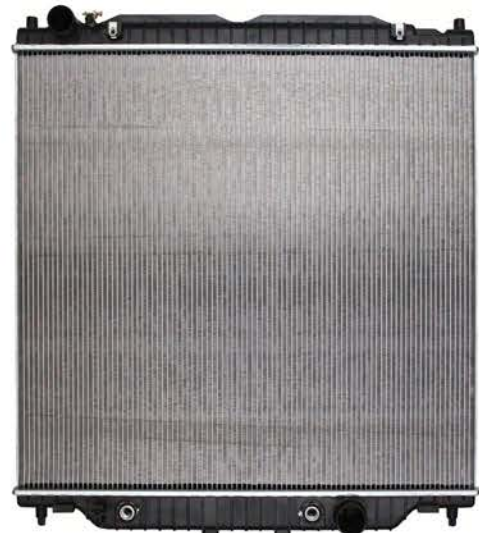


**Core Dimensions:** 34" x 24 1/2" x 2 1/8"  
**Inlet:** 1 3/4"      **Outlet:** 2"      **TOC:** Yes

**Row:** 2      **Type:** PTR  
**EOC:** No

## ► CR2887

'03-'07 F Series

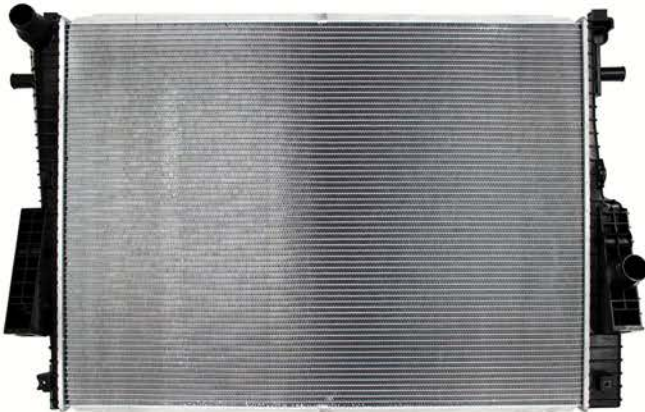


**Core Dimensions:** 28 5/8" x 29 7/8" x 1 1/4"  
**Inlet:** 1 3/4"      **Outlet:** 2"      **TOC:** Yes      **EOC:** No

# Diesel Pickup Truck Radiator Illustrations

## ➤ CR13022

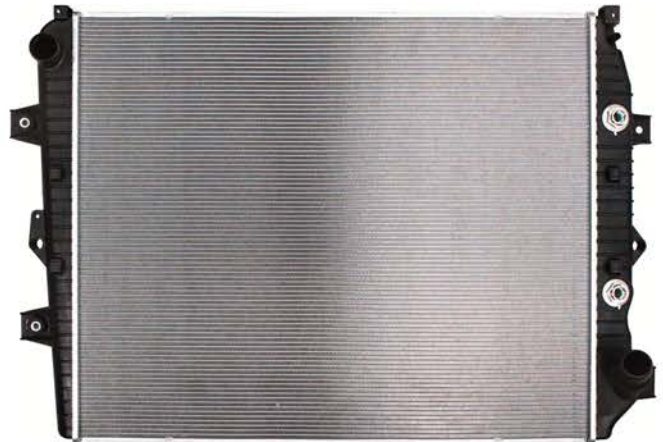
'08 Ford F Series with 6.4L, 6.8L Engines,  
'09-'10 Ford F Series with 6.4L Engines



**Core Dimensions:** 37" x 27 1/2" x 2 11/16" **Row:** 2 **Type:** PTR  
**Inlet:** 1 3/4" **Outlet:** 1 3/4"  
**TOC:** Yes, 1/2" Barbed fittings on 12" CTRS grill side

## ➤ CR13244

'11-'16 Chevrolet Silverado 2500 HD, 3500 HD with 6.6L Engine,  
'11-'17 GMC Sierra 2500 HD, 3500 HD with 6.6L Engine



**Core Dimensions:** 33 3/8" x 27 7/8" x 1 7/8" **Type:** PTR  
**Inlet:** 1 7/8" **Outlet:** 2" Quick Connect  
**Oil Cooler:** Quick Connect on 11 1/2" Center

## ➤ CR13296

'10-'12 Dodge Ram Pickup with 6.7L Diesel Engine



**Core Dimensions:** 26 5/8" x 32 1/4" x 1 1/2"  
**Inlet:** 1 3/4" **Outlet:** 1 3/4"

## ➤ CR13490

'13-'18 Dodge Ram 2500, 3500, 4500, 5500 with 6.7L Diesel Engine



**Core Dimensions:** 26 5/8" x 21 7/8" x 1 5/8"  
**Inlet:** 1 3/4" **Outlet:** 1 3/4"

DIESEL PICKUP RADIATORS & CHARGE AIR COOLERS

# Diesel Pickup Truck Charge Air Cooler/Intercooler APPLICATIONS

Year	Engine	Notes	Part #
<b>CHEVROLET</b>			
<b>SILVERADO PICKUP</b>			
2010	6.6L DURAMAX	3 1/4" INLET, 3" OUTLET	222329
	6.6L DURAMAX	OE STYLE CONNECTIONS	222348
2009	6.6L DURAMAX	3 1/4" INLET, 3" OUTLET	222329
	6.6L DURAMAX	OE STYLE CONNECTIONS	222348
2008	6.6L DURAMAX	3 1/4" INLET, 3" OUTLET	222329
	6.6L DURAMAX	OE STYLE CONNECTIONS	222348
2007	6.6L DURAMAX	3 1/4" INLET, 3" OUTLET	222329
	6.6L DURAMAX	OE STYLE CONNECTIONS	222348
2006	6.6L DURAMAX	3 1/4" INLET, 3" OUTLET	222329
	6.6L DURAMAX	OE STYLE CONNECTIONS	222348
2005	6.6L DURAMAX	OE STYLE CONNECTIONS	222328
2004	6.6L DURAMAX	OE STYLE CONNECTIONS	222328
2003	6.6L DURAMAX	OE STYLE CONNECTIONS	222328
2002	6.6L DURAMAX	OE STYLE CONNECTIONS	222328
2001	6.6L DURAMAX	OE STYLE CONNECTIONS	222328
<b>DODGE</b>			
<b>RAM PICKUP</b>			
2012	6.7L CUMMINS	2500, 3500 DIESEL, 3 1/2" INLET, 3 1/4" OUTLET	222330
	6.7L CUMMINS	OE STYLE CONNECTIONS	222349
2011	6.7L CUMMINS	2500, 3500 DIESEL, 3 1/2" INLET, 3 1/4" OUTLET	222330
	6.7L CUMMINS	OE STYLE CONNECTIONS	222349
2010	6.7L CUMMINS	2500, 3500 DIESEL, 3 1/2" INLET, 3 1/4" OUTLET	222330
	6.7L CUMMINS	OE STYLE CONNECTIONS	222349
2009	6.7L CUMMINS	2500, 3500 DIESEL, 3 1/2" INLET, 3 1/2" OUTLET	222331
	6.7L CUMMINS	OE STYLE CONNECTIONS	222352
2008	5.9L, 6.7L CUMMINS	2500, 3500 DIESEL, 3 1/2" INLET, 3 1/2" OUTLET	222331
	5.9L, 6.7L CUMMINS	OE STYLE CONNECTIONS	222352
2007	5.9L, 6.7L CUMMINS	2500, 3500 DIESEL, 3 1/2" INLET, 3 1/2" OUTLET	222331
	5.9L, 6.7L CUMMINS	OE STYLE CONNECTIONS	222352
2006	5.9L CUMMINS	2500, 3500 DIESEL, 3 1/2" INLET, 3 1/2" OUTLET	222331
	5.9L CUMMINS	OE STYLE CONNECTIONS	222352
2005	5.9L CUMMINS	2500, 3500 DIESEL, 3 1/2" INLET, 3 1/2" OUTLET	222331
	5.9L CUMMINS	OE STYLE CONNECTIONS	222352
2004	5.9L CUMMINS	2500, 3500 DIESEL, 3 1/2" INLET, 3 1/2" OUTLET	222331
	5.9L CUMMINS	OE STYLE CONNECTIONS	222352
2003	5.9L CUMMINS	2500, 3500 DIESEL, 3 1/2" INLET, 3 1/2" OUTLET	222331
	5.9L CUMMINS	OE STYLE CONNECTIONS	222352
2002	5.9L CUMMINS	DIESEL, OE STYLE CONNECTIONS	222327
2001	5.9L CUMMINS	DIESEL, OE STYLE CONNECTIONS	222327
2000	5.9L CUMMINS	DIESEL, OE STYLE CONNECTIONS	222327
1999	5.9L CUMMINS	DIESEL, OE STYLE CONNECTIONS	222327
1998	5.9L CUMMINS	DIESEL, OE STYLE CONNECTIONS	222327
1997	5.9L CUMMINS	DIESEL, OE STYLE CONNECTIONS	222327
1996	5.9L CUMMINS	DIESEL, OE STYLE CONNECTIONS	222327
1995	5.9L CUMMINS	DIESEL, OE STYLE CONNECTIONS	222327
1994	5.9L CUMMINS	DIESEL, OE STYLE CONNECTIONS	222327

# Diesel Pickup Truck Charge Air Cooler/Intercooler APPLICATIONS

Year	Engine	Notes	Part #
<b>FORD</b>			
<b>EXCURSION</b>			
2005	6.0L POWER STROKE	3 1/4" INLET & OUTLET	222332
	6.0L POWER STROKE	OE STYLE CONNECTIONS	222350
2004	6.0L POWER STROKE	3 1/4" INLET & OUTLET	222332
	6.0L POWER STROKE	OE STYLE CONNECTIONS	222350
2003	6.0L POWER STROKE	3 1/4" INLET & OUTLET	222332
	6.0L POWER STROKE	OE STYLE CONNECTIONS	222350
<b>F SERIES PICKUP</b>			
2010	6.4L POWER STROKE	F250-F550 SUPER DUTY, OE STYLE CONNECTIONS	222333
2009	6.4L POWER STROKE	F250-F550 SUPER DUTY, OE STYLE CONNECTIONS	222333
2008	6.4L POWER STROKE	F250 & F350 SUPER DUTY, OE STYLE CONNECTIONS	222333
2007	6.0L POWER STROKE	F250, F350, F450 & F550, OE STYLE CONNECTIONS	222350
	6.0L POWER STROKE	3 1/4" INLET & OUTLET	222332
2006	6.0L POWER STROKE	F250, F350, F450 & F550, OE STYLE CONNECTIONS	222350
	6.0L POWER STROKE	3 1/4" INLET & OUTLET	222332
2005	6.0L POWER STROKE	F250, F350, F450 & F550, OE STYLE CONNECTIONS	222350
	6.0L POWER STROKE	3 1/4" INLET & OUTLET	222332
2004	6.0L POWER STROKE	F250, F350, F450 & F550, OE STYLE CONNECTIONS	222350
	6.0L POWER STROKE	3 1/4" INLET & OUTLET	222332
2003	6.0L POWER STROKE	F250, F350, F450 & F550, OE STYLE CONNECTIONS	222350
	6.0L POWER STROKE	3 1/4" INLET & OUTLET	222332
<b>GMC</b>			
<b>SIERRA PICKUP</b>			
2010	6.6L DURAMAX	3 1/4" INLET, 3" OUTLET	222329
	6.6L DURAMAX	OE STYLE CONNECTIONS	222348
2009	6.6L DURAMAX	3 1/4" INLET, 3" OUTLET	222329
	6.6L DURAMAX	OE STYLE CONNECTIONS	222348
2008	6.6L DURAMAX	3 1/4" INLET, 3" OUTLET	222329
	6.6L DURAMAX	OE STYLE CONNECTIONS	222348
2007	6.6L DURAMAX	3 1/4" INLET, 3" OUTLET	222329
	6.6L DURAMAX	OE STYLE CONNECTIONS	222348
2006	6.6L DURAMAX	3 1/4" INLET, 3" OUTLET	222329
	6.6L DURAMAX	OE STYLE CONNECTIONS	222348
2005	6.6L DURAMAX	OE STYLE CONNECTIONS	222328
2004	6.6L DURAMAX	OE STYLE CONNECTIONS	222328
2003	6.6L DURAMAX	OE STYLE CONNECTIONS	222328
2002	6.6L DURAMAX	OE STYLE CONNECTIONS	222328
2001	6.6L DURAMAX	OE STYLE CONNECTIONS	222328

DIESEL PICKUP RADIATORS & CHARGE AIR COOLERS

# Diesel Pickup Truck Charge Air Cooler Illustrations



## NORTHERN DIESEL PICKUP PERFORMANCE INTERCOOLER FEATURES:

- Handles boost pressure up 100 PSI
- Tolerates inlet temperatures up to 500° F
- Tubes are internally reinforced for strength with chambers containing micro sized fins to increase the surface area and stir the flow of air for increased heat transfer of the intake air
- Cooler, more dense intake air yields more horsepower and performance

### ➤ 222327

'94-'02 Dodge Ram Pickup with 5.9L Cummins Engine



**Core Dimensions:** 36 <sup>7</sup>/<sub>8</sub>" x 16 <sup>3</sup>/<sub>8</sub>" x 2 <sup>1</sup>/<sub>2</sub>"

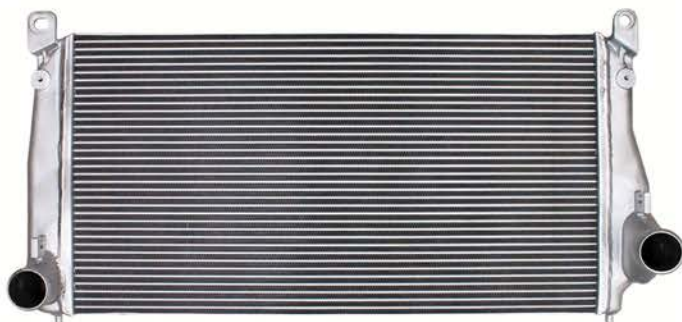
**Inlet:** 3 <sup>5</sup>/<sub>8</sub>"

**Outlet:** 3 <sup>5</sup>/<sub>8</sub>"

**Note:** High performance charge air intercooler with heavy duty tanks and micro fin tubes

### ➤ 222328

'01-'05 Chevrolet Silverado, GMC Sierra with 6.6L Diesel Engine



**Core Dimensions:** 37 <sup>3</sup>/<sub>4</sub>" x 20 <sup>3</sup>/<sub>8</sub>" x 2 <sup>1</sup>/<sub>2</sub>"

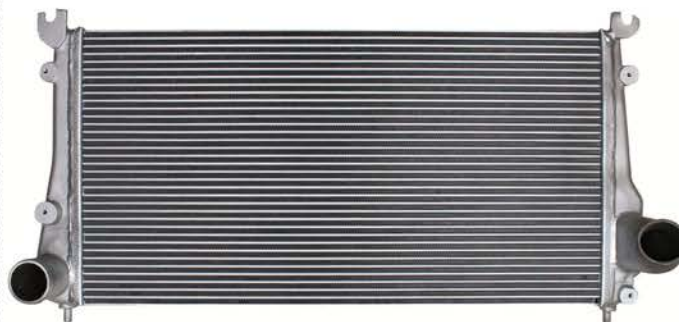
**Inlet:** 3"

**Outlet:** 3"

**Note:** High performance charge air intercooler with heavy duty tanks and micro fin tubes

### ➤ 222329

'06-'10 Chevrolet Silverado, GMC Sierra with A/T & 6.6L Diesel Engine



**Core Dimensions:** 37 <sup>3</sup>/<sub>4</sub>" x 19 <sup>3</sup>/<sub>4</sub>" x 2 <sup>1</sup>/<sub>4</sub>"

**Inlet:** 3"

**Outlet:** 3 <sup>1</sup>/<sub>4</sub>" Hose Bead

**Note:** High performance charge air intercooler with heavy duty tanks and micro fin tubes

# Diesel Pickup Truck Charge Air Cooler Illustrations

## 222330

'10 Dodge Ram 2500-5500 w/6.7L Diesel  
'11-'12 Dodge Ram 2500-3500 w/6.7L Diesel



**Core Dimensions:** 27" x 25 3/8" x 2 1/4"

**Inlet:** 3 1/4"      **Outlet:** 3 1/2"

**Note:** High performance charge air intercooler with heavy duty tanks and micro fin tubes

## 222331

'03-'06 Dodge Ram Pickup with 5.9L Engine,  
'07-'08 with 5.9L, 6.7L Engines, '09 with 6.7L Engine



**Core Dimensions:** 27 1/4" x 27 7/8" x 2 1/2"

**Inlet:** 3 1/2"      **Outlet:** 3 1/2"

**Note:** High performance charge air intercooler with heavy duty tanks and micro fin tubes

## 222332

'03-'05 Ford Excursion with 6.0L Engine,  
'03-'07 F Series (Including F450 & F550) with 6.0L Engine



**Core Dimensions:** 24 3/4" x 22" x 2 1/2"

**Inlet:** 3 1/4"      **Outlet:** 3 1/4"

**Note:** High performance charge air intercooler with heavy duty tanks and micro fin tubes

## 222333

'8-'10 Ford F250, F350 Super Duty  
'09-'10 Ford F450, F550 Super Duty w/6.4L Engine



**Core Dimensions:** 22 1/4" x 25 5/8" x 2 1/2"

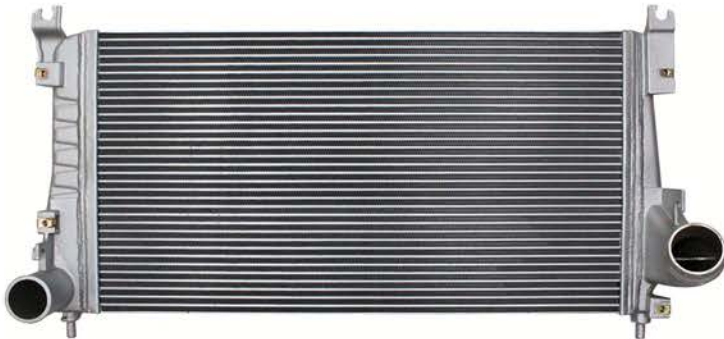
**Inlet:** 3 1/4"      **Outlet:** 3"

**Note:** High performance charge air intercooler with heavy duty tanks and micro fin tubes

# Diesel Pickup Truck Charge Air Cooler Illustrations

## ▶ 222348

'06-'10 Chevrolet Silverado, GMC Sierra with A/T & 6.6L Diesel Engine



**Core Dimensions:** 37 <sup>3</sup>/<sub>4</sub>" x 19 <sup>3</sup>/<sub>4</sub>" x 2 <sup>1</sup>/<sub>4</sub>"

**Inlet:** 3" **Outlet:** 3 <sup>3</sup>/<sub>8</sub>" Quick Connect

**Note:** High performance charge air intercooler with heavy duty tanks and micro fin tubes

## ▶ 222349

'10 Dodge Ram 2500-5500 w/6.7L Diesel  
'11-'12 Dodge Ram 2500-3500 w/6.7L Diesel



**Core Dimensions:** 27" x 25 <sup>3</sup>/<sub>8</sub>" x 2 <sup>1</sup>/<sub>4</sub>"

**Inlet:** 2 <sup>3</sup>/<sub>4</sub>" **Outlet:** 3"

**Note:** High performance charge air intercooler with heavy duty tanks and micro fin tubes

## ▶ 222350

'03-'05 Ford Excursion with 6.0L Engine,  
'03-'07 F Series (Including F450 & F550) with 6.0L Engine



**Core Dimensions:** 24 <sup>3</sup>/<sub>4</sub>" x 22" x 2 <sup>1</sup>/<sub>2</sub>"

**Inlet:** 3" **Outlet:** 3 <sup>1</sup>/<sub>4</sub>"

**Note:** High performance charge air intercooler with heavy duty tanks and micro fin tubes

## ▶ 222352

'03-'06 Dodge Ram Pickup with 5.9L Engine,  
'07-'08 with 5.9L, 6.7L Engines, '09 with 6.7L Engine



**Core Dimensions:** 27 <sup>1</sup>/<sub>2</sub>" x 23 <sup>1</sup>/<sub>8</sub>" x 2 <sup>1</sup>/<sub>4</sub>"

**Inlet:** 3" **Outlet:** 3"

**Note:** High performance charge air intercooler with heavy duty tanks and micro fin tubes

# Turbo Intercooler Kits

Three sizes cover virtually all performance turbo charger applications. Northern high efficiency turbo intercooler design wrings every BTU of heat out of your turbo compressed air charge. Cooler air means increased density for more power and a greatly reduced risk of cylinder detonation for greater engine life.



## 208100

Kit includes mounting hardware

**Overall Dimension:**  
27 1/4" x 7 1/16" x 2 1/4"

**Core Dimension:**  
20 13/16" x 7" x 2 1/4"

**Inlet:** 60mm

**Outlet:** 60mm

## 208101

Kit includes mounting hardware

**Overall Dimension:**  
28 3/8" x 6 1/2" x 3 1/4"

**Core Dimension:**  
22" x 6 1/2" x 2 11/16"

**Inlet:** 57mm

**Outlet:** 57mm



## 208102

Kit includes mounting hardware

**Overall Dimension:**  
31" x 11 5/8" x 3 1/4"

**Core Dimension:**  
23 5/8" x 11 5/8" x 2 11/16"

**Inlet:** 76mm

**Outlet:** 76mm



DIESEL PICKUP RADIATORS & CHARGE AIR COOLERS

# Turbo Intercooler Hoses

## Turbo Intercooler & Charge Air Cooler Silicone Hoses



2 1/2" Charge Air Cooler Hose, 6" Long, 3 Rings.....	<b>Z71073</b>
3" Charge Air Cooler Hose, 6" Long, 3 Rings.....	<b>Z71047</b>
3" Charge Air Cooler Hose, 6" Long, 2 Rings.....	<b>Z71074</b>
3 1/8" Charge Air Cooler Hose, 6" Long, 3 Rings.....	<b>Z71075</b>
3 1/4" Charge Air Cooler Hose, 6" Long, 3 Rings.....	<b>Z71076</b>
3 1/2" Charge Air Cooler Hose, 6" Long, 3 Rings.....	<b>Z71048</b>
3 1/2" Charge Air Cooler Hose, 6" Long, 2 Rings.....	<b>Z71077</b>
4" Charge Air Cooler Hose, 6" Long, 3 Rings .....	<b>Z71049</b>
4" Charge Air Cooler Hose, 6" Long, 2 Rings.....	<b>Z71078</b>
4" Charge Air Cooler Hose, 7" Long, 3 Rings.....	<b>Z71079</b>
4" Charge Air Cooler Hose, 8" Long, 3 Rings.....	<b>Z71080</b>
4 1/2" Charge Air Cooler Hose, 6" Long, 3 Rings.....	<b>Z71081</b>

## DIESEL ENGINE SILICONE HUMP HOSE CONNECTORS



### Coolant Hump Hose

1 1/2" Coolant Hump Hose, 6" Long, (Fluoro-Lined for long life) .....	<b>Z71040</b>
1 3/4" Coolant Hump Hose, 6" Long, (Fluoro-Lined for long life) .....	<b>Z71041</b>
2" Coolant Hump Hose, 6" Long, (Fluoro-Lined for long life) .....	<b>Z71042</b>
2 1/2" Coolant Hump Hose, 6" Long, (Fluoro-Lined for long life) .....	<b>Z71043</b>

### Air Intake Hump Hose

\*Use these hoses for cold intake

3" Charge Air Cooler Hump, 6" Long .....	<b>Z71044</b>
3 1/2" Charge Air Cooler Hump, 6" Long .....	<b>Z71045</b>
4" Charge Air Cooler Hump, 6" Long .....	<b>Z71046</b>
3" Charge Air Cooler Hump, 8" Long .....	<b>Z71052</b>
3 1/2" Charge Air Cooler Hump, 8" Long .....	<b>Z71053</b>
4" Charge Air Cooler Hump, 8" Long .....	<b>Z71054</b>

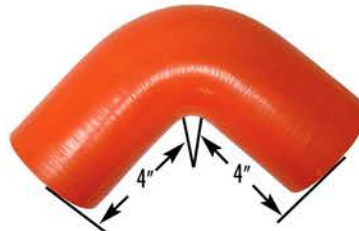
## 45° Silicone CAC Hose



High temp (500°F compatible), 45° silicone hose used in diesel air intake systems. Use on either hot or cold side charge air cooler connection.

3" Dia. ....	<b>Z71070</b>
3 1/2" Dia. ....	<b>Z71071</b>
4" Dia. ....	<b>Z71072</b>

## 90° Silicone CAC Hose



High temp (500°F compatible), 90° silicone hose used in diesel air intake systems. Use on either hot or cold side charge air cooler connection.

3" Dia. ....	<b>Z71055</b>
3 1/2" Dia. ....	<b>Z71056</b>
4" Dia. ....	<b>Z71057</b>

## Silicone Stick Radiator Hose



For automotive and diesel truck engine plumbing. Great for all types of cut-to-fit radiator hose connections.

1 1/2" Dia. x 36" Long.....	<b>Z71086</b>
1 3/4" Dia. x 36" Long.....	<b>Z71087</b>
2" Dia. x 36" Long.....	<b>Z71088</b>
2 1/2" Dia. x 36" Long.....	<b>Z71089</b>

DIESEL PICKUP RADIATORS & CHARGE AIR COOLERS

# Custom Radiator Kits



**2 Rows, 1" Tube Racing Style Radiators.**  
Offer a custom radiator without the "CUSTOM" cost!

Create the radiator you need by taking a Northern custom radiator kit and putting all the connections in the **RIGHT** place for your application!

PART #	OVERALL A x B	DOWNFLOW OR CROSSFLOW	HURRICANE ENGINE DRIVEN FAN SHROUD	ELECTRIC FAN & SHROUD ASSEMBLY
209661B	16" x 20"	Both	----	----
209662B	16" x 22"	Both	----	----
209663B	16" x 24"	Both	----	----
209657B	16" x 26"	Both	----	Z40120
209620B	16" x 28"	Both	Z40027	Z40081
209628B	16" x 31"	Both	Z40028	Z40071
209600B	19" x 22"	Both	Z40020	Z40073
209642B	19" x 24"	Both	Z40024	Z41035, Z40094, Z40098
209601B	19" x 26"	Both	Z40021	Z40074, Z40091
209602B	19" x 28"	Both	Z40022	Z40002, Z40075
209603B	19" x 31"	Both	Z40023	Z40003, Z40076
209659B	21 1/2" x 22"	Both	----	----
209664B	21 1/2" x 26"	Both	----	----
209683B	25 1/2" x 22"	Both	----	----
209684B	25 1/2" x 26"	Both	----	----

NOTE: These kits require aluminum welding and fabrication. Each custom radiator kit Includes: (1) Blank Radiator, (1) 1 1/2" Connection, (1) 1 3/4" Connection, (1) Billet Aluminum Filler Neck, (1) Overflow Tube, (1) Weld-on Bung, (1) Draincock

\*\*Northern Radiator's custom radiator kits are sold as an unfinished product, fabrication and T.I.G. welding required, normal Northern Warranties DO NOT APPLY.



## Custom Radiator Kits with Oil Cooler

- Blank radiator has an 8 plate, 10" Aluminum Hi-flow oil cooler with  $\frac{3}{4}$ " NPT fittings on 8  $\frac{1}{2}$ " centers
- 2 Rows of 1" Tubes for high performance cooling
- Machined Billet Aluminum SAE Compliant filler neck
- These radiators have a  $\frac{1}{4}$ " plugged NPT port

PART #	OVERALL A x B	DOWNFLOW OR CROSSFLOW	HURRICANE ENGINE DRIVEN FAN SHROUD	ELECTRIC FAN & SHROUD ASSEMBLY
<b>204100BC</b>	16" x 20"	Both	---	---
<b>204101BC</b>	19" x 22"	Both	Z40020	Z40073
<b>204102BC</b>	19" x 24"	Both	Z40024	Z41035, Z40094, Z40098
<b>204103BC</b>	19" x 26"	Both	Z40021	Z40074, Z40091
<b>204104BC</b>	19" x 28"	Both	Z40022	Z40002, Z40075
<b>204105BC</b>	19" x 31"	Both	Z40023	Z40003, Z40076



## THE BOSS 3 Row Radiators

- 3 Rows of 1" Tubes for high performance cooling. 30% more cooling capacity than any brand of 2 row 1" tube radiator!
- Machined Billet Aluminum SAE Compliant filler neck
- These radiators have a  $\frac{1}{4}$ " plugged NPT port

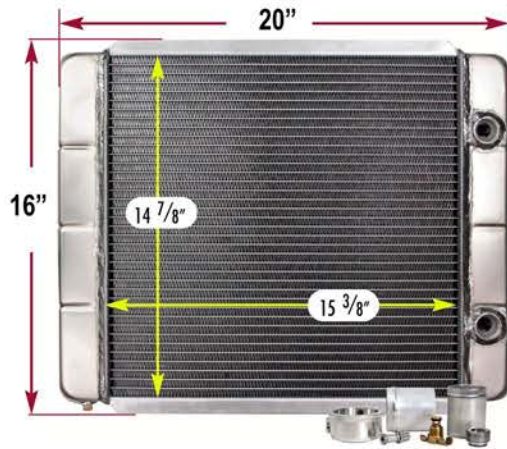
PART #	OVERALL A x B	WITH OIL COOLER	HURRICANE ENGINE DRIVEN FAN SHROUD	ELECTRIC FAN & SHROUD ASSEMBLY
<b>204115B</b>	16" x 26" x 4 $\frac{1}{4}$ "	No	---	Z40120
<b>204116B</b>	16" x 28" x 4 $\frac{1}{4}$ "	No	Z40027	Z41038
<b>204117B</b>	16" x 31" x 4 $\frac{1}{4}$ "	No	Z40028	Z41092
<b>204106BC</b>	19" x 26"	Yes	Z40021	Z40074
<b>209698B</b>	19" x 26" x 4 $\frac{1}{4}$ "	No	Z40021	Z40074
<b>209686B</b>	19" x 28" x 4 $\frac{1}{4}$ "	No	Z40022	Z40075
<b>204107BC</b>	19" x 31"	Yes	Z40023	Z40076
<b>209687B</b>	19" x 31" x 4 $\frac{1}{4}$ "	No	Z40023	Z40076

NOTE: These kits require aluminum welding and fabrication. Each custom radiator kit Includes: (1) Blank Radiator, (1) 1  $\frac{1}{2}$ " Connection, (1) 1  $\frac{3}{4}$ " Connection, (1) Billet Aluminum Filler Neck, (1) Overflow Tube, (1) Weld-on Bung, (1) Draincock

\*\*Northern Radiator's custom radiator kits are sold as an unfinished product, fabrication and T.I.G. welding required, normal Northern Warranties DO NOT APPLY.

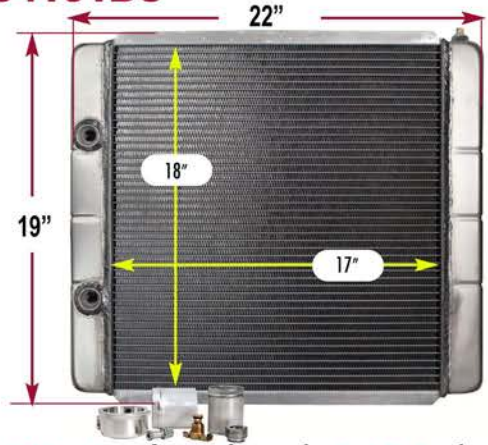
# Custom Radiator Kit Illustrations

## 204100BC



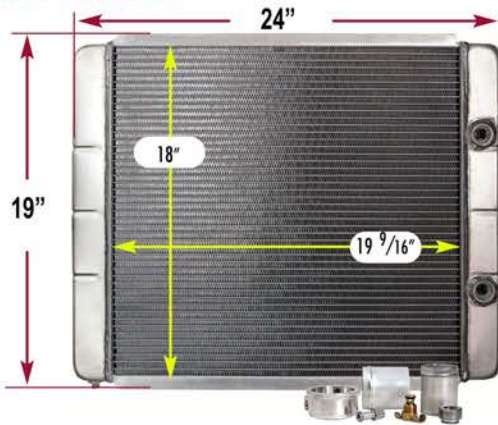
Overall Dimension: 20" x 16 1/2" x 3 1/8" Core Depth: 2 1/4"  
 Oil Cooler Fittings: 3/4" NPT

## 204101BC



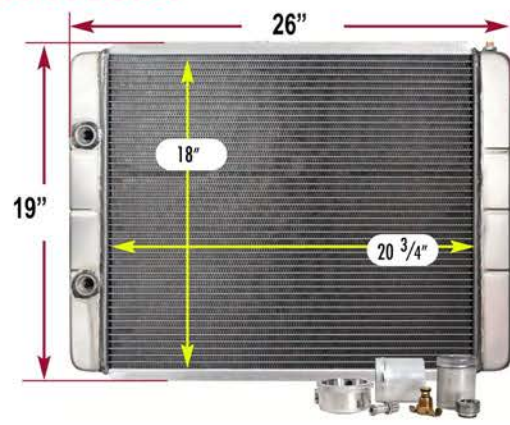
Overall Dimension: 21 5/8" x 19 9/16" x 3 1/8" Core Depth: 2 1/4"  
 Oil Cooler Fittings: 3/4" NPT  
 Hurricane Engine Driven Fan Shroud: Z40020  
 Electric Fan Shroud: Z40073

## 204102BC



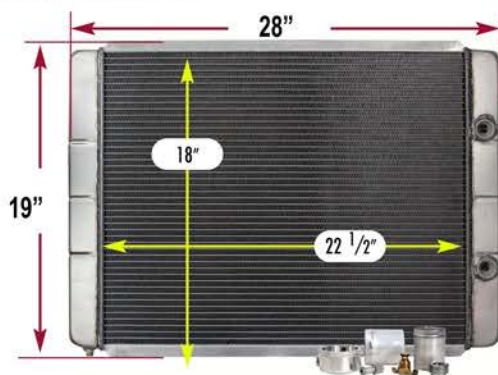
Overall Dimension: 23 5/8" x 19 9/16" x 3 1/8" Core Depth: 2 1/4"  
 Oil Cooler Fittings: 3/4" NPT Hurricane Engine Driven Fan Shroud: Z40024  
 Electric Fan Shroud: Z44035, Z40094, Z40098

## 204103BC



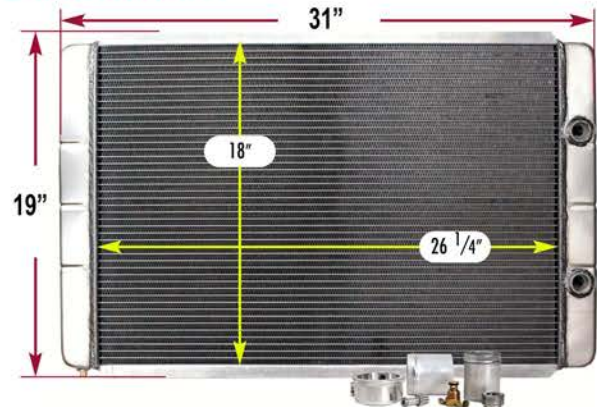
Overall Dimension: 25 3/8" x 19 9/16" x 3 1/8" Core Depth: 2 1/4"  
 Oil Cooler Fittings: 3/4" NPT Hurricane Engine Driven Fan Shroud: Z40021  
 Electric Fan Shroud: Z40074, Z40091

## 204104BC



Overall Dimension: 27 1/8" x 19 9/16" x 3 1/8" Core Depth: 2 1/4"  
 Oil Cooler Fittings: 3/4" NPT Hurricane Engine Driven Fan Shroud: Z40022  
 Electric Fan Shroud: Z40002, Z40075

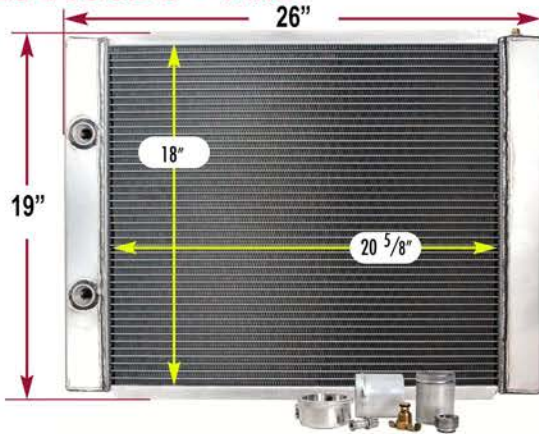
## 204105BC



Overall Dimension: 30 7/8" x 19 9/16" x 3 1/8" Core Depth: 2 1/4"  
 Oil Cooler Fittings: 3/4" NPT Hurricane Engine Driven Fan Shroud: Z40023  
 Electric Fan Shroud: Z40003

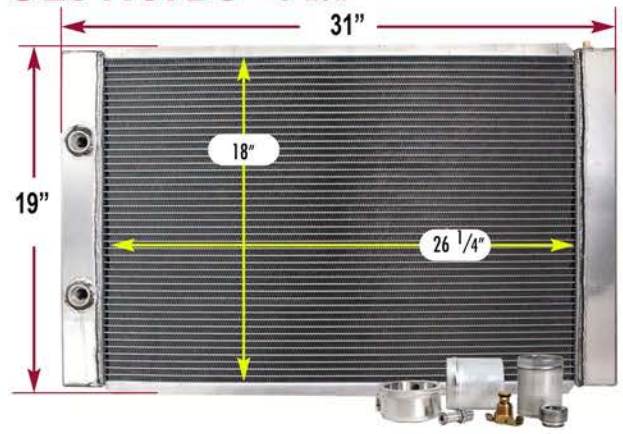
# Custom Radiator Kit Illustrations

➤ **204106BC - 3 Row**



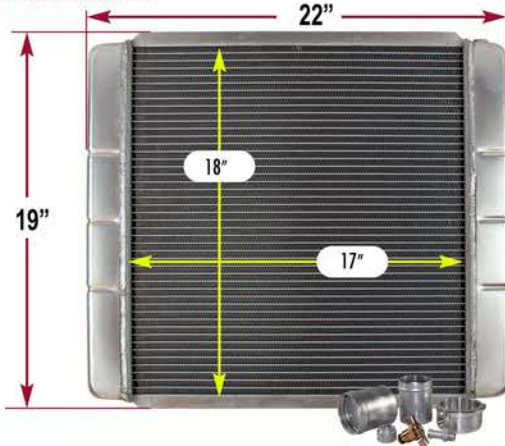
Overall Dimension:  $25 \frac{5}{16}'' \times 19 \frac{9}{16}'' \times 4 \frac{1}{4}''$  Core Depth:  $3 \frac{3}{8}''$   
 Oil Cooler Fittings:  $\frac{3}{4}''$  NPT Hurricane Engine Driven Fan Shroud: Z40021  
 Electric Fan Shroud: Z40074, Z40091

➤ **204107BC - 3 Row**



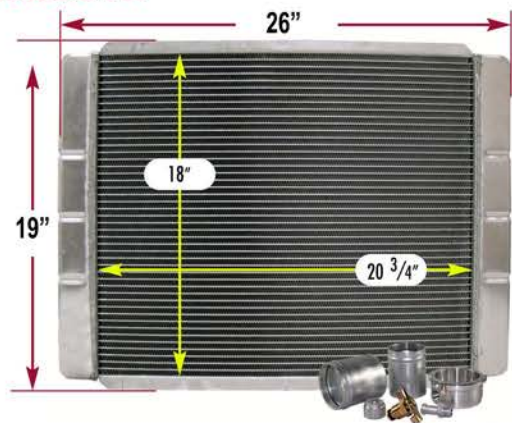
Overall Dimension:  $30 \frac{7}{8}'' \times 19 \frac{9}{16}'' \times 4 \frac{1}{4}''$  Core Depth:  $3 \frac{7}{16}''$   
 Oil Cooler Fittings:  $\frac{3}{4}''$  NPT Hurricane Engine Driven Fan Shroud: Z40023  
 Electric Fan Shroud: Z40003, Z40076

➤ **209600B**



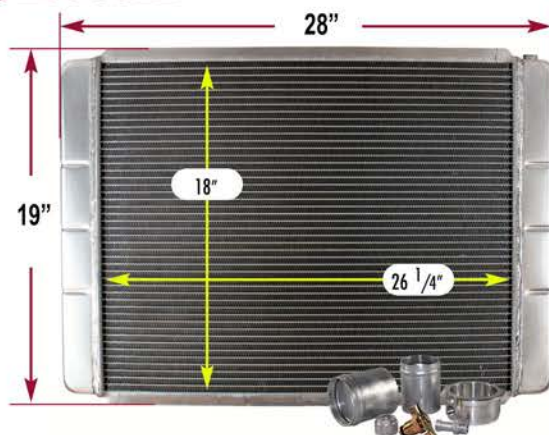
Overall Dimension:  $21 \frac{5}{8}'' \times 19 \frac{9}{16}'' \times 3 \frac{1}{8}''$  Core Depth:  $2 \frac{1}{4}''$   
 Hurricane Engine Driven Fan Shroud: Z40020 Electric Fan Shroud: Z40073

➤ **209601B**



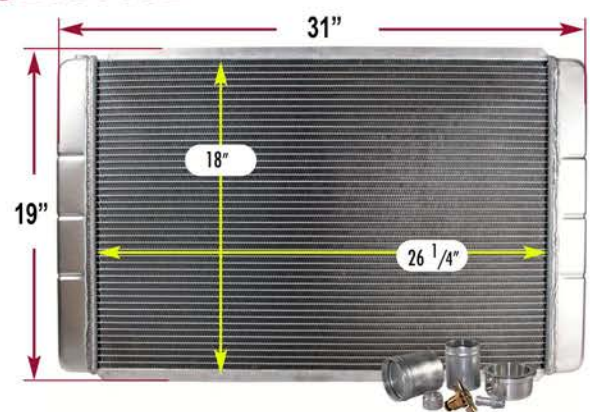
Overall Dimension:  $25 \frac{3}{8}'' \times 19 \frac{9}{16}'' \times 3 \frac{1}{8}''$  Core Depth:  $2 \frac{1}{4}''$   
 Hurricane Engine Driven Fan Shroud: Z40021  
 Electric Fan Shroud: Z40074, Z40091

➤ **209602B**



Overall Dimension:  $27 \frac{1}{8}'' \times 19 \frac{9}{16}'' \times 3 \frac{1}{8}''$  Core Depth:  $2 \frac{1}{4}''$   
 Hurricane Engine Driven Fan Shroud: Z40022  
 Electric Fan Shroud: Z40002, Z40075

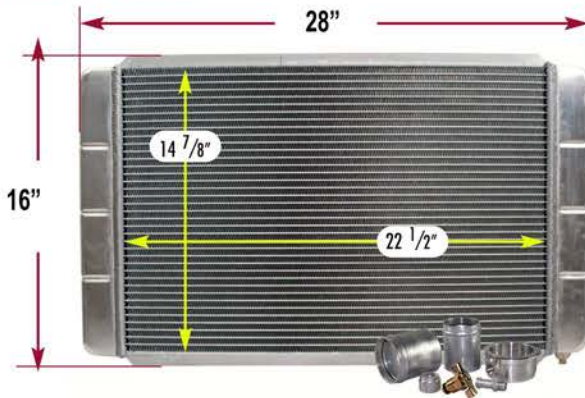
➤ **209603B**



Overall Dimension:  $30 \frac{7}{8}'' \times 19 \frac{9}{16}'' \times 3 \frac{1}{8}''$  Core Depth:  $2 \frac{1}{4}''$   
 Hurricane Engine Driven Fan Shroud: Z40023  
 Electric Fan Shroud: Z40003

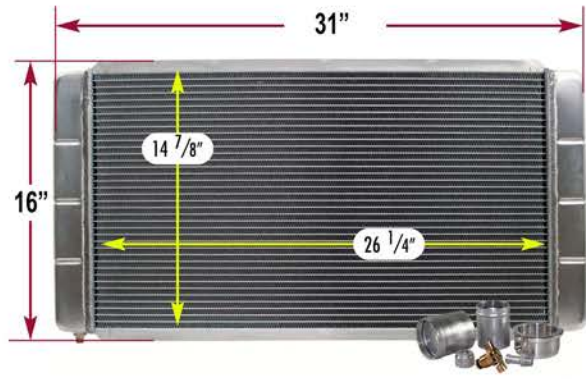
# Custom Radiator Kit Illustrations

## 209620B



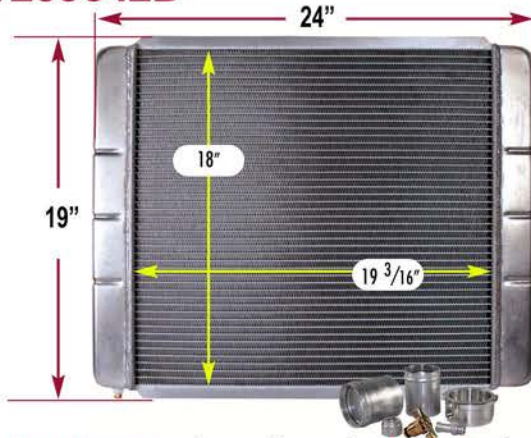
Overall Dimension:  $27 \frac{1}{8}'' \times 16 \frac{1}{2}'' \times 3 \frac{1}{8}''$  Core Depth:  $2 \frac{1}{4}''$   
 Hurricane Engine Driven Fan Shroud: Z40027  
 Electric Fan Shroud: Z40081

## 209628B



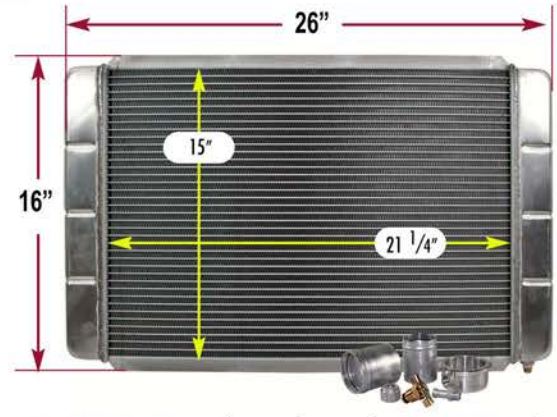
Overall Dimension:  $30 \frac{7}{8}'' \times 16 \frac{1}{2}'' \times 3 \frac{1}{8}''$  Core Depth:  $2 \frac{1}{4}''$   
 Hurricane Engine Driven Fan Shroud: Z40028  
 Electric Fan Shroud: Z40071

## 209642B



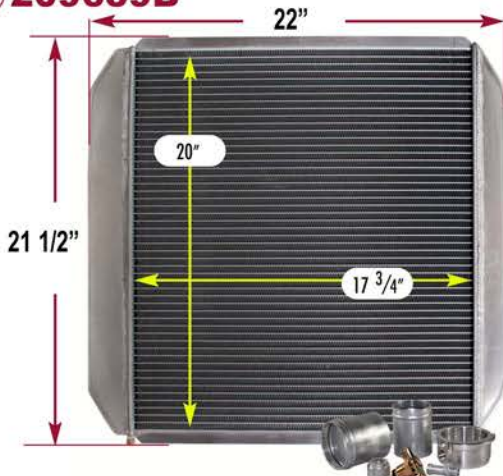
Overall Dimension:  $23 \frac{5}{8}'' \times 19 \frac{9}{16}'' \times 3 \frac{1}{8}''$  Core Depth:  $2 \frac{1}{4}''$   
 Hurricane Engine Driven Fan Shroud: Z40024  
 Electric Fan Shroud: Z41035, Z40094, Z40098

## 209657B



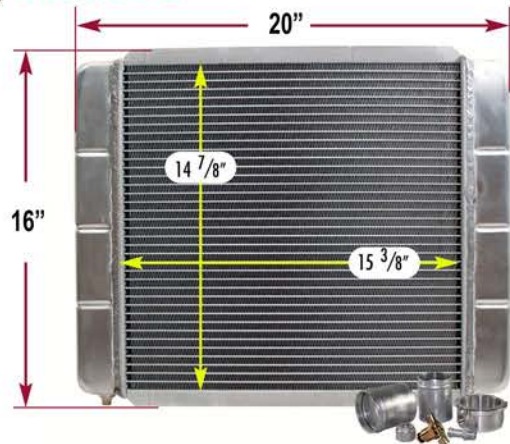
Overall Dimension:  $25 \frac{3}{4}'' \times 16 \frac{1}{2}'' \times 3 \frac{1}{8}''$  Core Depth:  $2 \frac{1}{4}''$

## 209659B



Overall Dimension:  $22'' \times 21 \frac{1}{2}'' \times 3 \frac{1}{8}''$  Core Depth:  $2 \frac{1}{4}''$

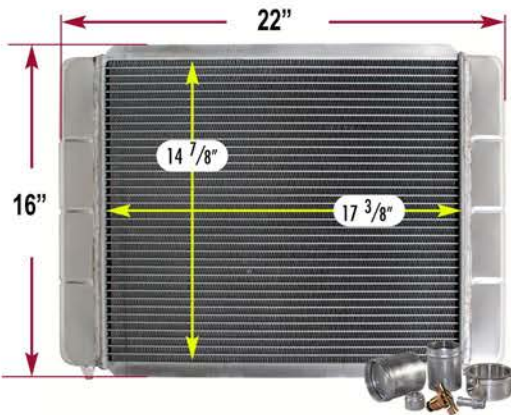
## 209661B



Overall Dimension:  $20'' \times 16 \frac{1}{2}'' \times 3 \frac{1}{8}''$  Core Depth:  $2 \frac{1}{4}''$

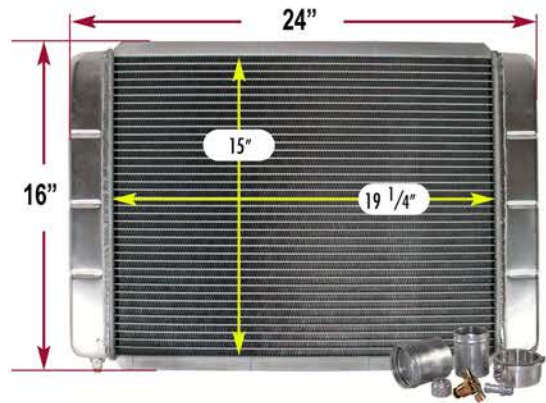
# Custom Radiator Kit Illustrations

➤ **209662B**



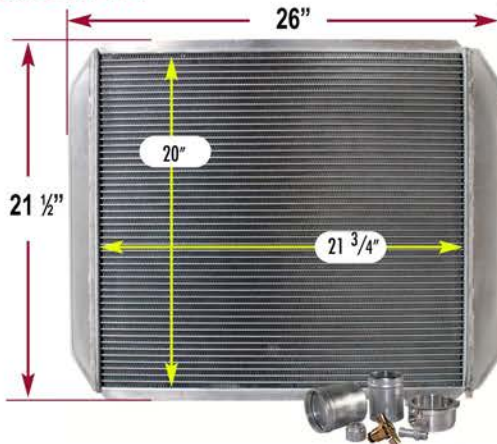
Overall Dimension: 22" x 16 1/2" x 3 1/8" Core Depth: 2 1/4"

➤ **209663B**



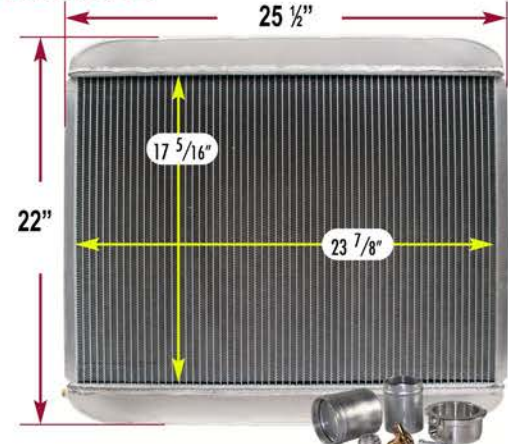
Overall Dimension: 23 3/4" x 16 1/2" x 3 1/8" Core Depth: 2 1/4"

➤ **209664B**



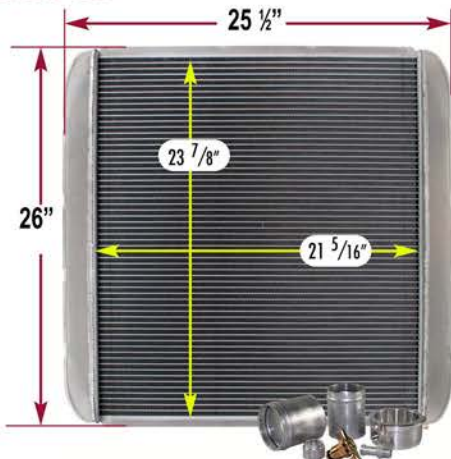
Overall Dimension: 26" x 21 1/2" x 3 1/8" Core Depth: 2 1/4"

➤ **209683B**



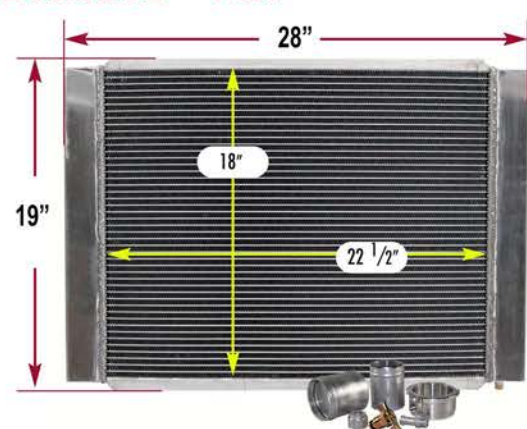
Overall Dimension: 22" x 25 1/2" x 3 1/8"

➤ **209684B**



Overall Dimension: 25 1/2" x 26" x 3 1/8"

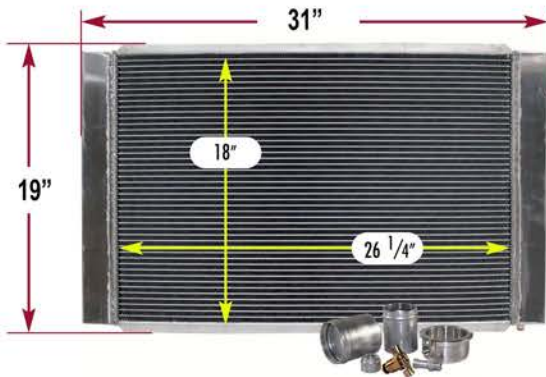
➤ **209686B - 3 Row**



Overall Dimension: 27 1/8" x 19 9/16" x 4 1/4" Core Depth: 3 7/16"  
Hurricane Engine Driven Fan Shroud: Z40022 Electric Fan Shroud: Z40075

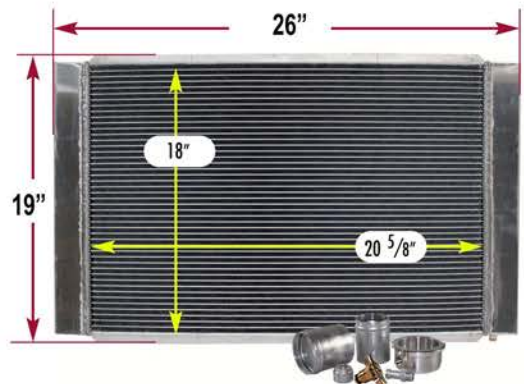
# Custom Radiator Kit Illustrations

## 209687B - 3 Row



Overall Dimension:  $30 \frac{7}{8}'' \times 19 \frac{9}{16}'' \times 4 \frac{1}{4}''$  Core Depth:  $3 \frac{7}{16}''$   
 Hurricane Engine Driven Fan Shroud: Z40023  
 Hurricane Electric Fan Shroud: Z42015 Electric Fan Shroud: Z40076

## 209698B - 3 Row



Overall Dimension:  $25 \frac{5}{16}'' \times 19 \frac{9}{16}'' \times 4 \frac{1}{4}''$  Core Depth:  $3 \frac{3}{8}''$   
 Hurricane Engine Driven Fan Shroud: Z40021  
 Hurricane Electric Fan Shroud: Z42011 Electric Fan Shroud: Z40074

Turn this  
blank  
radiator  
kit into...



Crossflow or  
Downflow



Looking for a way to create your own custom radiator without the high dollar expense?

**Use Northern Radiator's custom radiator kit!**

All of these radiators can be installed as cross-flow or down-flow style depending on the application it is being used in and where the connections are installed!

NOTE: These kits require aluminum welding and fabrication.

In each custom radiator kit Includes: (1) Blank Radiator, (1)  $1 \frac{1}{2}''$  Connection, (1)  $1 \frac{3}{4}''$  Connection, (1) Billet Aluminum Filler Neck, (1) Overflow Tube, (1) Weld-on Bung, (1) Draincock

\*\*Northern Radiator's custom radiator kits are sold as an unfinished product, fabrication and T.I.G. welding required, normal Northern Warranties DO NOT APPLY.

# Custom Kit Radiator Accessories



## ► High Efficiency Transimssion Cooler Kit

High efficiency cooler for full size cars, SUVs , 1/2 Ton Pickups and high horsepower street Rods

Kit Includes:  
Cooler, Mounting hardware and transmission hose

**Z18027** : 10" x 3 3/4" x 1 1/4" Kit

## ► Transimssion Oil Cooler Kit

The right cooling capacity for every truck! Adds huge cooling capacity and retains quick transmission warmup.

Kit Includes:  
Hardware and instructions for series mounting with your OEM radiator transmission cooler

**Z18028** : 16 x 5 1/4" x 1 1/2" Kit



## ► Mounting Brackets

Kit includes 2 aluminum mounting brackets which may be welded to the radiator tanks to allow for flange mounting. Brackets have slotted mounting holes for easy mounting.

**Z12014** : 2 Brackets



## ► Aluminum Mounts

Mounting kit made of Aluminum. Kits include 2 upper and 2 lower mounts. Kit requires part number Z21230 mounting pads, sold separately.

**Z21260** : Mount Kit



## ► Mounting Pads

Universal rubber mount pads for any where. It fits our Z21260/Z21265 aluminum mount kits, or Z21220 HD steel mount kit.

**Z21230** : 2 Per Pack

# Custom Kit Radiator Accessories



## ➤ Baffle

Create a double pass radiator with this aluminum baffle plate. Requires fabrication and aluminum welding. For 2 row radiators only.

**Z17560** : Baffle Plate



## ➤ Weldable Pipe Thread Bungs

This fittings require aluminum welding (6061-T6 Aluminum)

**Z17550** : 1/8", 1/4", 3/8", 1/2", 3/4" Assortment, 1 Each

**Z20400** : 1/4" NPT Aluminum Bungs, 5 Pk

**Z17643** : Single Pack 3/8" NPT, Single Pk

**Z17551** : 1/4" NPT Aluminum Bungs, 2 Pk

**Z17552** : 1" NPT Aluminum Bungs, 2 Pk



## ➤ Machined Threaded Boss

1/4 - 20 Machined Threaded Boss

**Z17555** : Boss, 4 Pk



## ➤ Weldable Bungs

To be used with all types of AN hose. Fittings require aluminum welding.

**Z17544** : AN 16

**Z17545** : AN 20



## ➤ Aluminum Connections

Radiator Modification Connections

**Z17617** : 1 1/2" 90° Hose Connection

**Z17648** : 1 3/4" 90° Hose Connection



## ➤ Connection Kit

Conversion connection kit unique to the GM LS1.

**Z17625** : LS1 MOD Kit 1 1/2" & 1 3/8"



## ➤ Aluminum Filler Neck

Billet aluminum, requires welding high quality aluminum.

**Z17606** : Filler Neck



## ➤ System Fill Kit

Cooling system hose fill kit is used in vehicles with radiators mounted lower than the engine. Features billet filler neck and beaded hose connection. Used in upper radiator hose.

**Z12006** : 1 1/2" Filler Neck Tee



## ➤ Silicone Engine Coolant Plumbing Kit

Kit includes reinforced silicone connector hoses including straight, 90° and 45° hose angles, Mandrel bent, corrosion resistant, beaded & aluminized steel tubes.

**Z71051** : V8 Engine Plumbing Kit

# Airboat Radiators

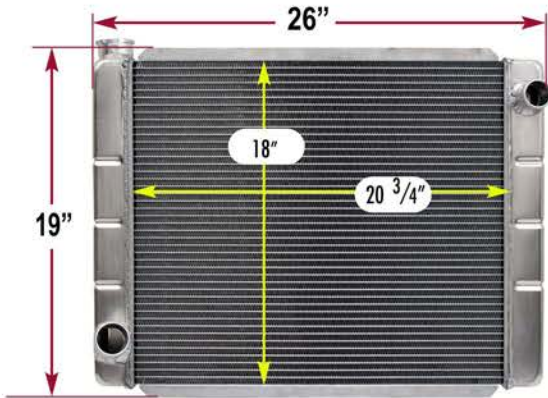
Currently these radiators are used by  
airboat manufacturers!

Northern Radiator offers a line of  
radiators that fit a multitude of  
Airboat applications!



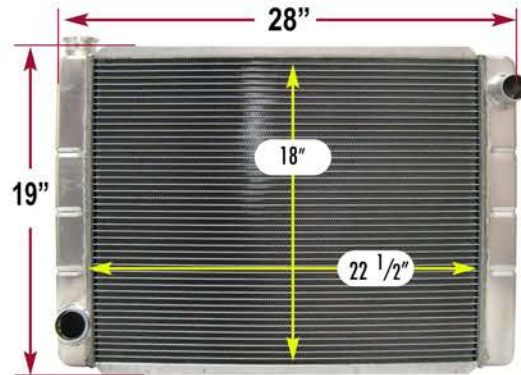
# Airboat Radiators

## ➤ 209671



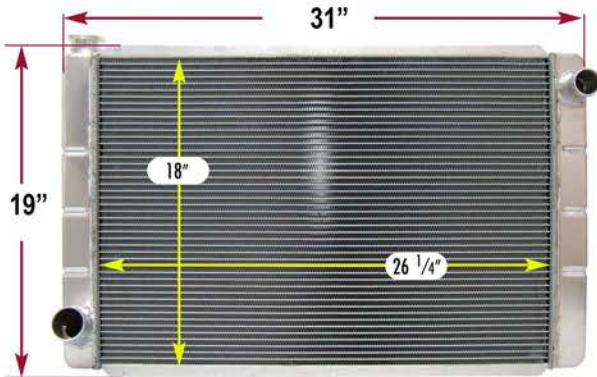
**Overall Dimensions:** 19" x 26" x 3 1/8"  
**Inlet:** 1 1/2"      **Outlet:** 1 3/4"  
**Note:** 2 Rows 1" tubes, Louvered Fins

## ➤ 209672



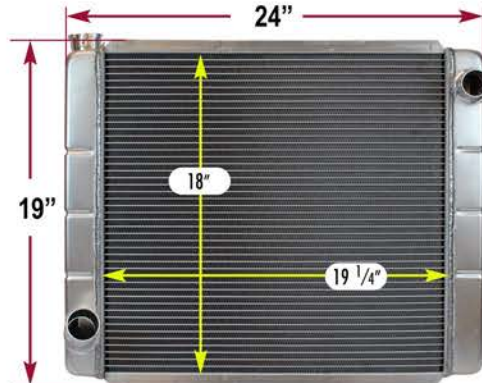
**Overall Dimensions:** 19" x 28" x 3 1/8"  
**Inlet:** 1 1/2"      **Outlet:** 1 3/4"  
**Note:** All welded construction, 2 Rows 1" tubes, Louvered Fin

## ➤ 209673



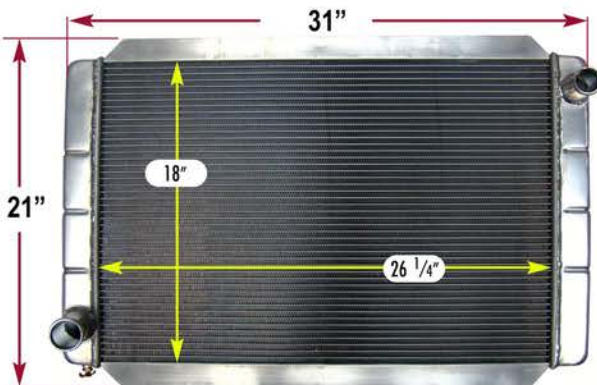
**Overall Dimensions:** 19" x 31" x 3 1/8"  
**Inlet:** 1 1/2"      **Outlet:** 1 3/4"  
**Note:** All welded construction, 2 Rows 1" tubes, Louvered Fins

## ➤ 209678



**Overall Dimensions:** 19" x 24" x 3 1/8"  
**Inlet:** 1 1/2"      **Outlet:** 1 3/4"  
**Note:** All welded construction, 2 Rows 1" tubes, Louvered Fins

## ➤ 209000



**Overall Dimensions:** 21" x 31" x 3 1/8"  
**Inlet:** 1 1/2"      **Outlet:** 1 3/4"  
**Note:** 2 Rows 1" tubes, Louvered Fins

# Custom Airboat Radiator Kits

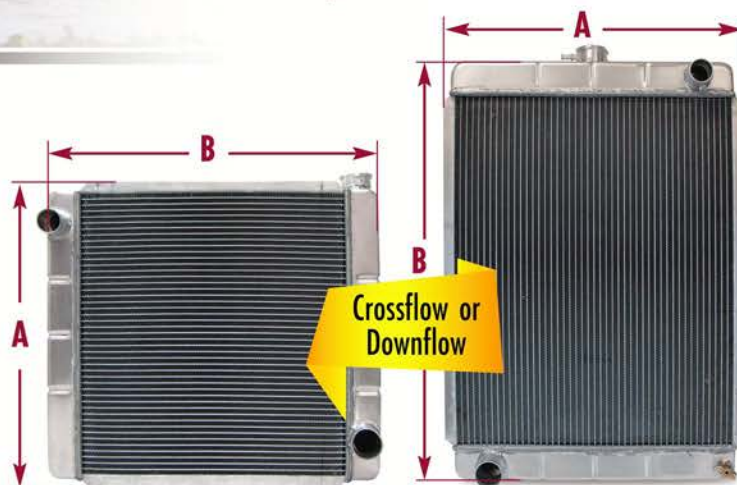


All welded, 2 row 1" tube radiators which allow the inlet and outlet, filler neck and related products to be welded in the exact location necessary to accommodate your design.

## What Airboat Radiator Kit do you need?



Turn this blank radiator kit into...



PART #	OVERALL A x B	COOLING AREA	HURRICANE ENGINE DRIVEN FAN SHROUD	ELECTRIC FAN & SHROUD ASSEMBLY
<b>209642B</b>	19" x 24"	342 sq. in.	Z40024	Z41035, Z40094, Z40098
<b>209601B</b>	19" x 26"	360 sq. in.	Z40021	Z40074, Z40091
<b>209602B</b>	19" x 28"	405 sq. in.	Z40022	Z40002, Z40075
<b>209603B</b>	19" x 31"	472 sq. in.	Z40023	Z40003, Z40076
<b>209664B</b>	21 1/2" x 26"	403 sq. in.	---	---
<b>209684B</b>	25 1/2" x 26"	510 sq. in.	---	---

NOTE: These kits require aluminum welding and fabrication. Each custom radiator kit Includes: (1) Blank Radiator, (1) 1 1/2" Connection, (1) 1 3/4" Connection, (1) Billet Aluminum Filler Neck, (1) Overflow Tube, (1) Weld-on Bung, (1) Draincock

\*\*Northern Radiator's custom radiator kits are sold as an unfinished product, fabrication and T.I.G. welding required, normal Northern Warranties DO NOT APPLY.

# HOTROD and Specialty Radiators

## Revolutionary Radiator Mounts!

Bolt on or welded mounts allow radiator mounting in all types of vehicles. Slotted mounts allow for adjustment to fit your vehicle.

## 3 EASY STEPS to buying a Hotrod Radiator

1. Measure the area where your **HOTROD** radiator will mount. (See instruction below)
2. Determine the location of the hose connections.
3. You're ready to choose the downflow or crossflow **HOTROD** radiator with the specs you need.

➔ These radiators are for vehicles that aren't found by application



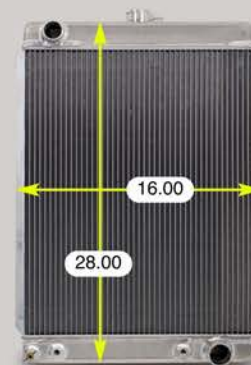
## HOW TO MEASURE YOUR VEHICLE:

Determine the vehicle's underhood mounting space available:

Length x Height Remember that **HOTROD** radiators have the tanks included in the overall sizes listed. Choose the largest size available for maximum heat transfer. Determine if a crossflow or downflow radiator will best fit the application by looking at the drawings to the right. Choose the connection configuration for the engine's plumbing.



Crossflow - Overall Measurements

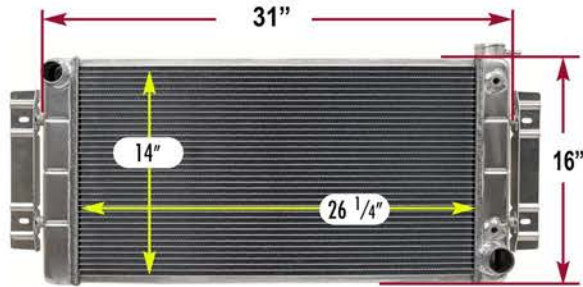


Downflow - Overall Measurements

# HOTROD Illustrations

\* Measure your Radiator Opening - Pick the Hotrod radiator that fits.

## ▶ 205142 : 50's, 60's & 70's Mid Size Cars



Electric Fan & Shroud Assembly: Z40100 & Z40101: 12" Dual

Overall Depth: 3 1/8"

Core Depth: 2 1/4"

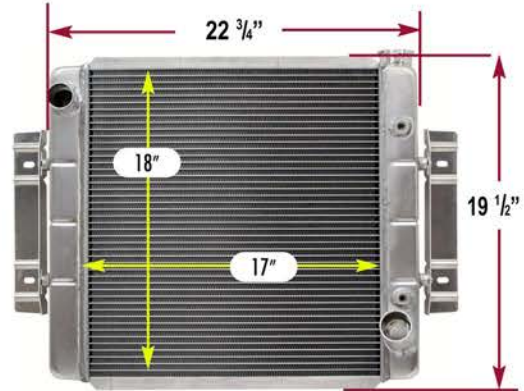
Inlet: 1 1/2" Left

Outlet: 1 3/4" Right

### DESCRIPTION

- Typical GM Hose Locations
- Includes 7 Plate Aluminum High Performance Transmission Oil Cooler
- 2 Rows of 1" Tubes
- 5/16" Inv. Flare TOC ftgs.
- 36" Overall including brackets

## ▶ 205150 : 60's & 70's Smaller to Mid Size Cars



Hurricane Engine Driven Fan Shroud: Z40020

Electric Fan & Shroud Assembly: Z40073: 16" Single

Overall Depth: 3 1/8"

Core Depth: 2 1/4"

Inlet: 1 1/2" Left

Outlet: 1 3/4" Right

### DESCRIPTION

- Typical GM Hose Locations
- Includes 7 Plate Aluminum High Performance Transmission Oil Cooler
- 2 Rows of 1" Tubes
- 5/16" Inv. Flare TOC ftgs.

## ▶ 205151 : 50's, 60's & 70's Mid Size Cars

Hurricane Engine Driven Fan Shroud: Z40024

Electric Fan & Shroud Assembly:

Z41035: 16" Single • Z40094 & Z40098: 10" Dual

Overall Depth: 3 1/8"

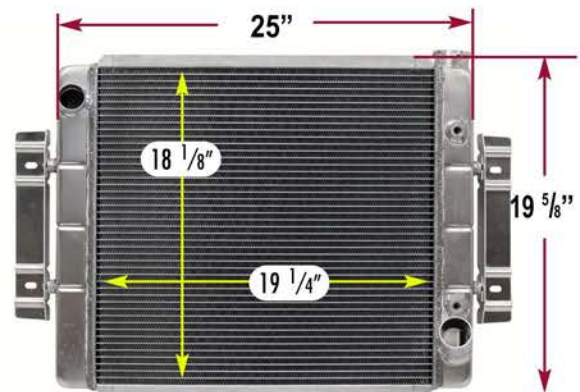
Core Depth: 2 1/4"

Inlet: 1 1/2" Left

Outlet: 1 3/4" Right

### DESCRIPTION

- Typical GM Hose Locations
- 2 Rows of 1" Tubes
- 5/16" Inv. Flare TOC ftgs.
- Includes 7 Plate Aluminum High Performance Transmission Oil Cooler

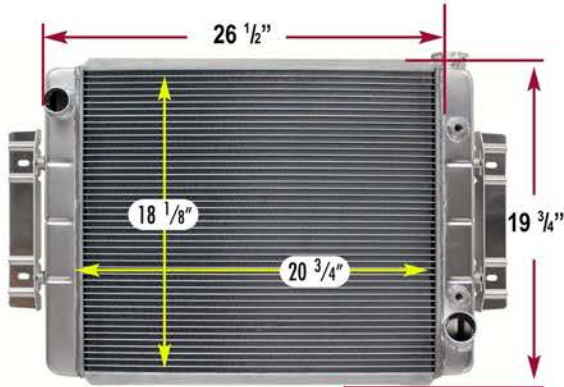


HOTROD RADIATORS

# HOTROD Illustrations

\* Measure your Radiator Opening - Pick the Hotrod radiator that fits.

## ➤ 205152 : 50's, 60's & 70's Mid Size Cars



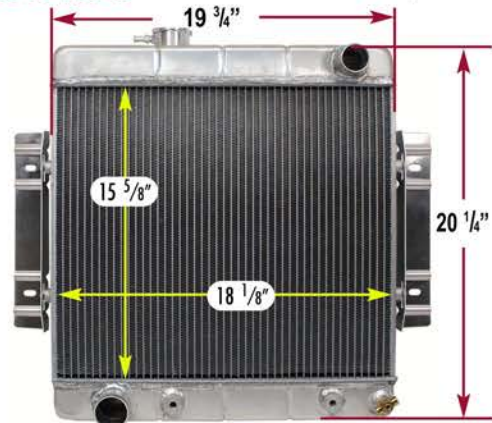
Hurricane Engine Driven Fan Shroud: Z40021  
 Electric Fan & Shroud Assembly:  
 Z40091: 12" Dual • Z40074: 16" Single

Overall Depth: 3 1/8"      Core Depth: 2 1/4"  
 Inlet: 1 1/2" Left      Outlet: 1 3/4" Right

### DESCRIPTION

- Typical GM Hose Locations
- Includes 7 Plate Aluminum High Performance Transmission Oil Cooler
- 2 Rows of 1" Tubes
- 5/16" Inv. Flare TOC ftgs.

## ➤ 205155 : 50's & 60's Medium to Compact Size Cars.



Hurricane Engine Driven Fan Shroud: Z40029

Overall Depth: 3 1/8"      Core Depth: 2 1/4"  
 Inlet: 1 1/2" Right      Outlet: 1 3/4" Left

### DESCRIPTION

- Typical Ford/Mopar Hose Locations
- Includes 7 Plate Aluminum High Performance Transmission Oil Cooler
- 2 Rows of 1" Tubes
- 1/8 NPT TOC ftgs.

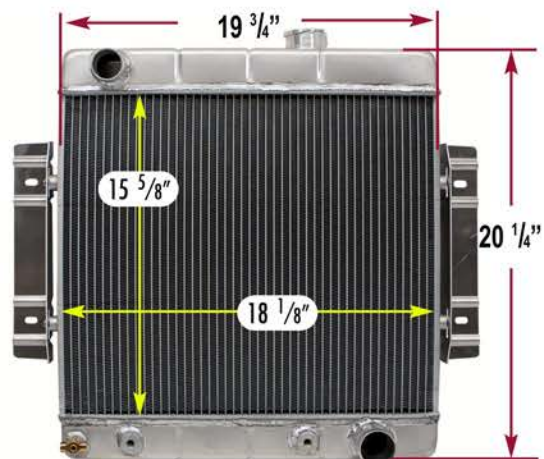
## ➤ 205156 : 50's, 60's & 70's Mid Size Cars

Hurricane Engine Driven Fan Shroud: Z40029

Overall Depth: 3 1/8"      Core Depth: 2 1/4"  
 Inlet: 1 1/2" Left      Outlet: 1 3/4" Right

### DESCRIPTION

- Typical GM Hose Locations
- Includes 7 Plate Aluminum High Performance Transmission Oil Cooler
- 2 Rows of 1" Tubes
- 1/8 NPT TOC ftgs.



# HOTROD Illustrations

\* Measure your Radiator Opening - Pick the Hotrod radiator that fits.

➤ **205159** : 30's, 40's & 50's Medium Nose Vehicles with Tall Downflow.



Hurricane Engine Driven Fan Shroud: Z40022

Electric Fan & Shroud Assembly: Z40066 & Z40095 - 11" Dual

Overall Depth: 3 1/8"

Core Depth: 2 1/4"

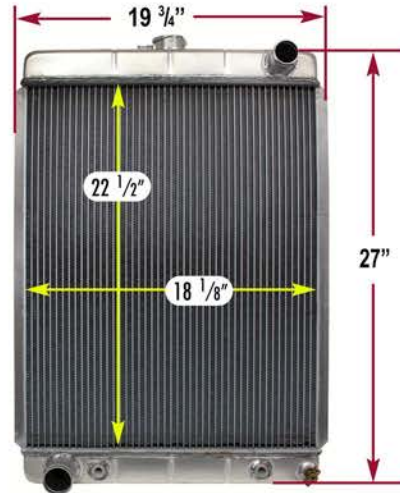
Inlet: 1 1/2" Left

Outlet: 1 3/4" Right

## DESCRIPTION

- Typical GM Hose Locations
- Includes 7 Plate Aluminum High Performance Transmission Oil Cooler
- 2 Rows of 1" Tubes
- 5/16" Inv. Flare TOC ftgs.

➤ **205160** : 30's, 40's & 50's Medium Nose Vehicles with Tall Downflow.



Hurricane Engine Driven Fan Shroud: Z40022

Electric Fan & Shroud Assembly: Z40066 & Z40095 - 11" Dual

Overall Depth: 3 1/8"

Core Depth: 2 1/4"

Inlet: 1 1/2" Right

Outlet: 1 3/4" Left

## DESCRIPTION

- Typical Ford Hose Locations
- Includes 7 Plate Aluminum High Performance Transmission Oil Cooler
- 2 Rows of 1" Tubes
- 5/16" Inv. Flare TOC ftgs.

➤ **205161** : 30's & 40's Narrow Nose Vehicles.

Hurricane Engine Driven Fan Shroud: Z40032

Electric Fan & Shroud Assembly: Z40067: 14" Single

Overall Depth: 3 1/8"

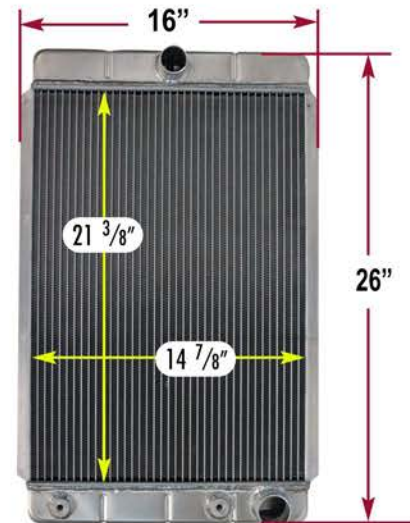
Core Depth: 2 1/4"

Inlet: 1 1/2" Center

Outlet: 1 3/4" Right

## DESCRIPTION

- Typical GM Hose Locations
- Includes 7 Plate Aluminum High Performance Transmission Oil Cooler.
- 2 Rows of 1" Tubes
- This radiator has no fill neck. Can use Z12006, Z17606 or Z17610 fill neck kits, Pg.154-155
- 1/8 NPT TOC ftgs.

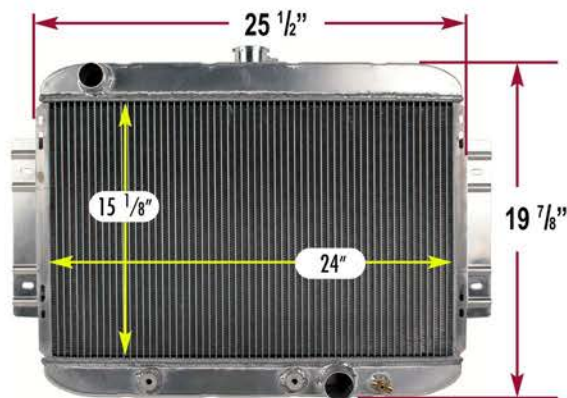


HOTROD RADIATORS

# HOTROD Illustrations

\* Measure your Radiator Opening - Pick the Hotrod radiator that fits.

➤ **205162** : 30's, 40's & 50's Medium Nose Vehicles where Downflow Design is preferred.



Hurricane Engine Driven Fan Shroud: Z40033

Electric Fan & Shroud Assembly: Z40069: 11" Dual, Z40121: 11" Dual

Overall Depth: 3 1/8"

Core Depth: 2 1/4"

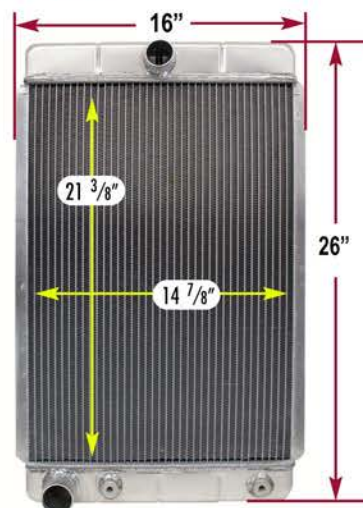
Inlet: 1 1/2" Left

Outlet: 1 3/4" Right

## DESCRIPTION

- Typical GM Hose Locations
- Includes 7 Plate Aluminum High Performance Transmission Oil Cooler
- 2 Rows of 1" Tubes
- 1/8 NPT TOC fgs

➤ **205163** : 30's & 40's Narrow Nose Vehicles.



Hurricane Engine Driven Fan Shroud: Z40032

Electric Fan & Shroud Assembly: Z40067: 11" Dual

Overall Depth: 3 1/8"

Core Depth: 2 1/4"

Inlet: 1 1/2" Center

Outlet: 1 3/4" Left

## DESCRIPTION

- Typical Ford Hose Locations
- Includes 7 Plate Aluminum High Performance Transmission Oil cooler
- 2 Rows of 1" Tubes
- This radiator has no fill neck. Can use Z12006, Z17606 or Z17610 Fill Neck Kits, Pg 154-155
- 1/8 NPT TOC fgs.

➤ **205164** : 30's, 40's & 50's Medium Nose Vehicles where Downflow Design is preferred.

Hurricane Engine Driven Fan Shroud: Z40033

Hurricane Electric Fan Shroud: Z42014

Electric Fan & Shroud Assembly: Z40069: 11" Dual, Z40121: 11" Dual

Overall Depth: 3 1/8"

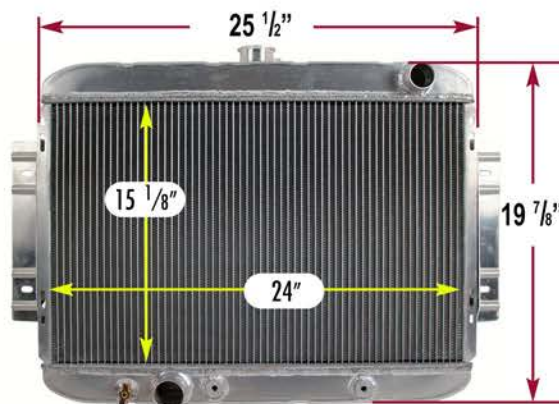
Core Depth: 2 1/4"

Inlet: 1 1/2" Right

Outlet: 1 3/4" Left

## DESCRIPTION

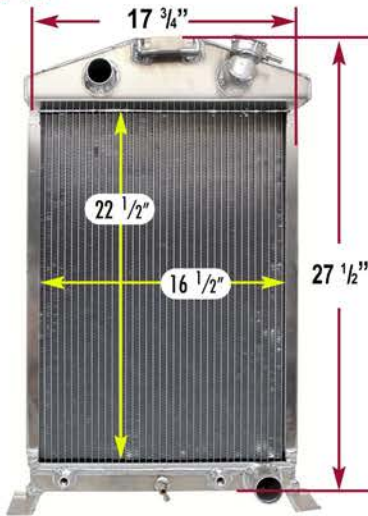
- Typical Ford/Mopar Hose Locations
- Includes 7 Plate Aluminum High Performance Transmission Oil Cooler
- 2 Rows of 1" Tubes
- 1/8 NPT TOC fgs



# HOTROD Illustrations

\* Measure your Radiator Opening - Pick the Hotrod radiator that fits.

➤ **205175** : '33 - '34 Ford



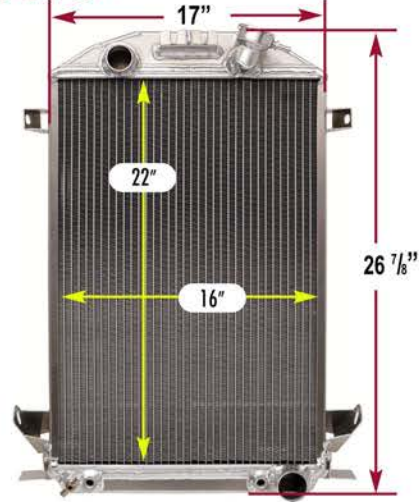
Hurricane Electric Fan Shroud: Z40103

Overall Depth: 3 1/4"      Core Depth: 2 1/4"  
 Inlet: 1 1/2" Left      Outlet: 1 3/4" Right

### DESCRIPTION

- 2 Rows of 1" Tubes
- 1/8 NPT TOC ftgs

➤ **205176** : '32 Ford



Electric Fan & Shroud Assembly: Z40103

Overall Depth: 4 1/8"      Core Depth: 2 1/4"  
 Inlet: 1 1/2" Left      Outlet: 1 3/4" Right

### DESCRIPTION

- 2 Rows of 1 1/4" Tubes
- 1/8 NPT TOC ftgs

HOTROD RADIATORS

## OIL COOLER ADAPTERS

Adapts Northern's muscle car radiator oil coolers to fit the original equipment oil cooler lines.



➤ **Z50640** Aluminum Adapters

3/4" NPT to 5/16" INV Flare - Adapters - 2/PK



➤ **Z50650** Steel Adapter

3/4" NPT to 1/2" NPT Steel Female Adapters - 2/PK



➤ **Z80200** Adapter

1/2" NPT to 5/16" Inv. - Flare (2pk)



➤ **Z80190** Brass Adapter

5/16" Flare to 1/8" NPT



➤ **Z80005** Brass Transmission Fitting Adapter

1/8" - 27 NPT x 5/16" SAE Flare (2pk)

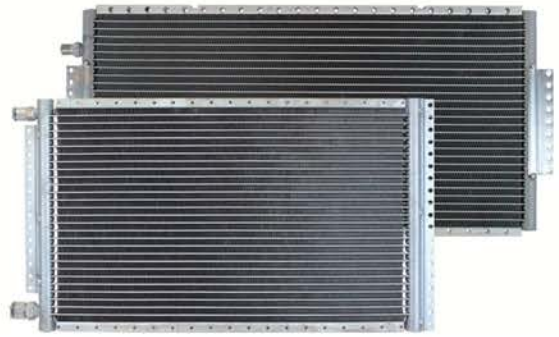
# HOTROD Air Conditioning

## HOTROD PARALLEL-FLOW CONDENSERS

### FEATURES:

- Versatile Mounting Style
- Convenient Sizes
- Lightweight
- Tube O-Ring Fittings
- Low Air Side Pressure Drop
- #6 & #8 Fittings

Measure your space, pick your size and pick your style!



HOTROD RADIATORS

Part #	Core Size	Overall Size	Notes
404 - 1224	10 7/8" x 20 1/8"	11 3/4" x 22 1/2"	4 PASS w/Brackets
404 - 1230	12" x 14"	12" x 16 1/4"	4 PASS w/Brackets
404 - 1223	12" x 18"	12" x 20"	4 PASS w/Brackets
404 - 1203	12" x 20"	12" x 21 1/4"	3 PASS w/o Brackets
404 - 1204	12" x 22"	12" x 23 1/4"	2 PASS w/o Brackets
404 - 1227	12" x 22"	12" x 24 1/4"	4 PASS w/Brackets
404 - 1206	10 7/8" x 23"	12 7/8" x 25 1/2"	4 PASS w/Brackets
404 - 1226	12" x 24"	12" x 28"	4 PASS w/Brackets
404 - 1218	12 7/8" x 15 5/8"	14" x 18"	4 PASS w/Brackets
404 - 1231	14" x 18"	14" x 19 1/4"	4 PASS w/o Brackets
404 - 1209	14" x 20"	14" x 22 1/4"	4 PASS w/Brackets
404 - 1221	14" x 22"	14" x 23 1/4"	4 PASS w/Brackets
404 - 1214	14" x 24"	14" x 25 3/8"	4 PASS w/Brackets
404 - 1220	14 3/4" x 24 1/8"	16" x 26"	3 PASS w/o Brackets
404 - 1225	16" x 26"	16" x 28"	2 PASS w/Brackets
404 - 1222	17 3/4" x 28"	18 5/8" x 31 1/4"	2 PASS w/Brackets

### ➤ Air Conditioning Compressor 500-9900



Chrome Finish Sanden SD508 vertical #8 & #10 O-ring fittings. Compressor with black 2-groove, 5 1/4" clutch.

### ➤ Air Conditioning Receiver Drier 804-9900



Chrome Polished receiver/drier measures 2 1/2" x 8". #6 Male o-ring fittings, w/mounting bracket.

### ➤ A/C Relay BM346934



Hooks up to air conditioner and engages fan when A/C is turned on. Prevents overheating. Great for classic cars or performance vehicles!

# Race Pro Racing Radiators



## Featuring Northern Radiator Cooling Technology

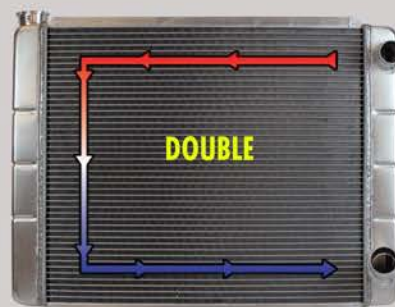
- ▶ Up to 24% Improvement in heat transfer over other brand's of racing radiators!
- ▶ Louvered Cooling Fins Exclusively Designed for High Performance Heat Dissipation.
- ▶ 2 Rows of 1" High Capacity Cooling Tubes.

### Features:

- Epoxy free construction. Nothing to crack, chip or leak!
- Extra heavy reinforced die stamped tanks for added rigidity.
- Billet machined filler neck for better pressure control.
- All welded construction. No Gaskets!
- Available with super flow high performance aluminum 8 plate engine oil cooler.
- Heavy wall inlet & outlet fittings for secure hose connection.
- Designed to cool racing engines.

RACE PRO RADIATORS

### CHOOSE FROM SINGLE, DOUBLE OR TRIPLE PASS DESIGNS:



# Race Pro 19" SINGLE PASS RADIATORS



- Up to 24% Improvement in heat transfer over other brand's of racing radiators
- Louvered Cooling Fins Exclusively Designed for High Performance Heat Dissipation
- 2 Rows of 1" High Capacity Cooling Tubes
- Machined billet aluminum, SAE compliant filler neck
- Inlet is 1 1/2" and the Outlet is 1 3/4"

Part #

Fits Area

Hurricane Engine  
Driven Fan Shroud

Electric Fan &  
Shroud Assembly

## CHEVY/GM RADIATORS



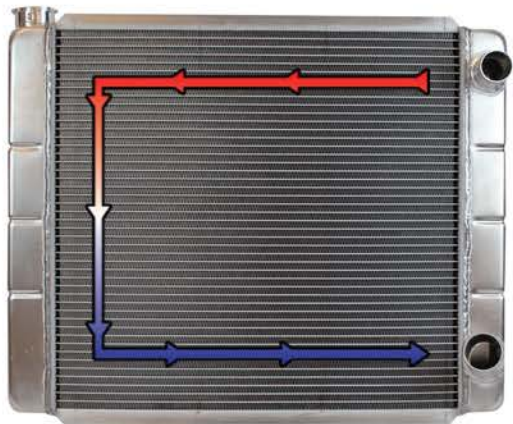
209674	22" x 19"	Z40020	Z40073**
209679	24" x 19"	Z40024	Z41035**
209675	26" x 19"	Z40021	Z40074**
209676	28" x 19"	Z40022	Z40002**
209677	31" x 19"	Z40023	Z40003**

## FORD/MOPAR RADIATORS



209670	22" x 19"	Z40020	Z40073**
209678	24" x 19"	Z40024	Z41035**
209671	26" x 19"	Z40021	Z40074**
209672	28" x 19"	Z40022	Z40002**
209673	31" x 19"	Z40023	Z40003**

\*\* Electric Fan Shrouds May Require a Wiring Harness and Thermostatic Control Switch for Correct Operation - See Pages 144-145



# Race Pro 19" DOUBLE PASS RADIATORS

- 2 Rows of 1" High Capacity Cooling Tubes
- Machined billet aluminum, SAE compliant filler neck
- Inlet is AN-16 and the Outlet is 1 3/4"

Part #

Fits Area

Hurricane Engine  
Driven Fan Shroud

Electric Fan &  
Shroud Assembly

## GM RIGHT CONNECTIONS

204109	22" x 19"	Z40020	Z40073
209633	24" x 19"	Z40024	Z41035**
209635	26" x 19"	Z40021	Z40074**
209624	28" x 19"	Z40022	Z40002**
209626	31" x 19"	Z40023	Z40003**



## FORD/MOPAR LEFT CONNECTIONS

204110	22" x 19"	Z40020	Z40073
209634	24" x 19"	Z40024	Z41035**
209636	26" x 19"	Z40021	Z40074**
209625	28" x 19"	Z40022	Z40002**
209627	31" x 19"	Z40023	Z40003**



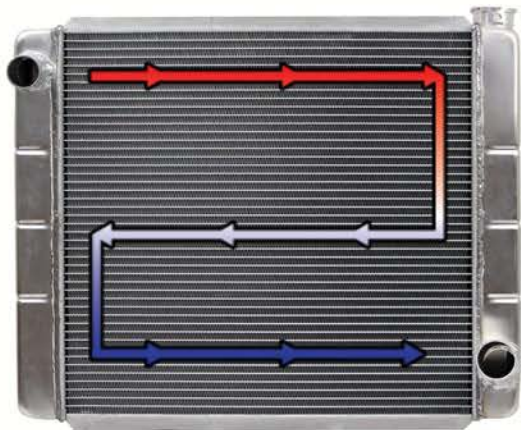
## AN-16 INLET FITTING

209638	Inlet/Outlet on Right	28" x 19"	Z40022	Z40002**
209640	Inlet/Outlet on Right	31" x 19"	Z40023	Z40003**
209639	Inlet/Outlet on Left	28" x 19"	Z40022	Z40002**



RACE PRO RADIATORS

\*\* Electric Fan Shrouds May Require a Wiring Harness and Thermostatic Control Switch for Correct Operation - See Pages 144-145



# Race Pro 19" TRIPLE PASS RADIATORS

➤ Triple pass radiators pass coolant through the radiator 3 times before exiting and require a High Performance water pump for maximum effect.

- 2 Rows of 1" High Capacity Cooling Tubes
- Inlet is 1 1/2" and the Outlet is 1 3/4"

RACE PRO RADIATORS

Part #                      Fits Area                      Hurricane Engine Driven Fan Shroud                      Electric Fan & Shroud Assembly



## GM

209689	24" x 19"	Z40024	Z41035**
209690	26" x 19"	Z40021	Z40074**
209691	28" x 19"	Z40022	Z40002**
209665	28" x 19"	Z40022	Z40002** AN 16 Inlet
209692	31" x 19"	Z40023	Z40003**



## FORD/MOPAR

209694	24" x 19"	Z40024	Z41035**
209695	26" x 19"	Z40021	Z40074**
209696	28" x 19"	Z40022	Z40002**
209697	31" x 19"	Z40023	Z40003**

\*\* Electric Fan Shrouds May Require a Wiring Harness and Thermostatic Control Switch for Correct Operation - See Pages 144-145



Completely Engineered for High Flow

Huge 3/4" NPT Fittings Flow Full Volume of AN 12 Oil Fittings

## Race Pro SUPER-FLOW OIL COOLER RADIATORS

These radiators are recommended for use with either high performance wet or dry sump oiling systems. All these radiators feature Northern Radiator's super-flow cooler - A high flow 8-plate Northern exclusive product!

Northern Radiators' super-flow cooler is the first high performance plate style cooler capable of dry sump oil system volume. The exclusive 8-plate design is the largest cooler that will fit in our race radiator tanks and the plate design is highly efficient in heat transfer. Don't settle for a barrel style cooler used by other manufacturers. While barrel coolers are high flow, they have very poor cooling efficiencies. Barrel coolers were originally used in 1940's farm tractors.

The plate cooler design is the type of cooler used by every major auto manufacturer. Northern Radiators' exclusive high flow plate cooler is designed to retain heat transfer efficiency and yet offer expanded flow capabilities necessary for today's racing engine oil systems.

Part #	Application	Fits Area	Hurricane Engine Driven Fan Shroud	Electric Fan & Shroud Assembly
209612	CHEVY/GM	22" x 19"	Z40020	Z40073**
209616	FORD/MOPAR	22" x 19"	Z40020	Z40073**
209613	CHEVY/GM	26" x 19"	Z40021	Z40074**
209617	FORD/MOPAR	26" x 19"	Z40021	Z40074**
209614	CHEVY/GM	28" x 19"	Z40022	Z40002**
209618	FORD/MOPAR	28" x 19"	Z40022	Z40002**
209621	CHEVY/GM	28" x 16"	Z40027	Z40081
209623	FORD/MOPAR	28" x 16"	Z40027	Z40081
209615	CHEVY/GM	31" x 19"	Z40023	Z40003**
209619	FORD/MOPAR	31" x 19"	Z40023	Z40003**
209629	CHEVY/GM	31" x 16"	Z40028	Z40071
209631	FORD/MOPAR	31" x 16 1/2"	Z40028	Z40071

▶ Inlet is 1 1/2" and the Outlet is 1 3/4" for All Applications

••• \*\* Electric Fan Shrouds May Require a Wiring Harness and Thermostatic Control Switch for Correct Operation - See Pages 146-147. May require oil cooler adapters Z50640 or Z50650 on page 116. 8 Plate Cooler has 3/4" NPT fittings see page 169. See page 169 for super flow oil cooler details.

# Race Pro 16" Radiators



Part #

Fits Area

Hurricane Engine  
Driven Fan Shroud

Electric Fan &  
Shroud Assembly

**CHEVY/GM** ▶ Inlet is 1 1/2" and the Outlet is 1 3/4" for All Race Applications

Part #	Fits Area	Hurricane Engine Driven Fan Shroud	Electric Fan & Shroud Assembly
209657	26" x 16"	----	Z40120
209620	28" x 16"	Z40027	Z40081
209628	31" x 16"	Z40028	Z40071



**FORD/MOPAR** ▶ Inlet is 1 1/2" and the Outlet is 1 3/4" for All Race Applications

Part #	Fits Area	Hurricane Engine Driven Fan Shroud	Electric Fan & Shroud Assembly
209658	26" x 16"	----	Z40120
209622	28" x 16"	Z40027	Z40081
209630	31" x 16"	Z40028	Z40071



**DOUBLE PASS** ▶ Inlet is 1 1/2" and the Outlet is 1 3/4" for All Race Applications

Part #	Connections	Fits Area	Hurricane Engine Driven Fan Shroud	Electric Fan & Shroud Assembly
209650	Connections on Left	31" x 16"	Z40028	Z40071
209651	Connections on Right	31" x 16"	Z40028	Z40071

\* Great for Sandrail or Buggy applications!

RACE PRO RADIATORS



Back



Front

## ▶ 209648 PRO STOCK RADIATOR

Designed and sized for use in Pro-Stock and Pro-Mod Vehicles. This race radiator has 2 rows of 1" tubes and (4) 1/4" - 20 mounting bosses on back of radiator.

\*\*It does not have a filler neck.

Overall Dimension: 16 3/4" x 19" x 3 1/4"

Core Dimensions: 13 5/8" x 18 1/8" x 2 1/4"

Front: Inlet is 3/4" NPT and the Outlet is 3/4" NPT

Back: 1/4" - 20 mounting boss (4)

Note: No Filler Neck

# Race Pro Drag Race Radiators

➤ Northern's drag race radiator cools up to 25% better than most competitive brands and is priced right! 2 Row, 1" tubes.

## ➤ 209632

Convenient 19" x 20" size easily mounts in most GM, Ford, Chrysler full body drag race vehicles and its small size works well in most altered or roadster style drag vehicles. This radiator provides the most engine cooling of all drag race radiators. Northern's drag race radiator cools up to 25% better than most competitive brands and is priced right! 2 Row, 1" tubes.

Overall Dimension: 20" x 18 1/4" x 3 1/8"

Core Dimension: 15 5/16" x 17 3/16" x 2 1/4"

Inlet: 1 1/2"      Outlet: 1 1/2"



## ➤ 209637

The Northern Radiator Ultra Lite Drag Race Radiator Weighs Only 6.5 lbs. - It's the lightest high efficiency drag race radiator on the planet. Removes as much as 25 lbs. from the front of your race vehicle. Out cools the VW style radiators by 25%! 1 Row, 1 1/4" Tubes.

Overall Dimension: 23 7/8" x 16" x 2"

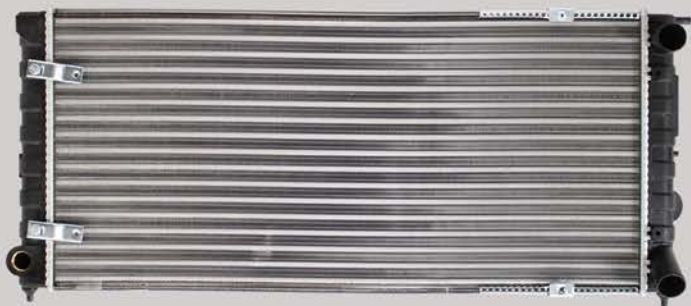
Core Dimension: 20 1/2" x 15 1/8" x 1 1/4"

Inlet: 1 3/4"      Outlet: 1 3/4"



## LIGHT WEIGHT VW STYLE DRAG RADIATORS

These radiators works in street or race vehicles, however, for street vehicles, cooling may be limited due to their lightweight design.



## ➤ CR98 Chevy/Ford/Chrysler

Overall Dimensions: 13" x 31"

Core Dimensions: 26 5/8" x 12 5/8" x 1 1/4"

Inlet: 1 1/4"      Outlet: 1 1/4"      Sensor Port: 22mm x 1.5



## ➤ CR604 Chevy/Ford/Chrysler

Overall Dimensions: 13" x 27 1/4"

Core Dimensions: 20 5/8" x 12 5/8" x 1 1/4"

Inlet: 1 1/4"      Outlet: 1 1/4"      Sensor Port: 22mm x 1.5

# Race Pro Sprint Radiators

## ➤ 209660 SPRINT CAR RADIATOR

All aluminum and machined billet aluminum filler neck.  
1 row of true 42mm (1 <sup>5</sup>/<sub>8</sub>" ) High efficiency tube  
Dual pass radiator for 305, 360 & 410 class engines

Overall Dimension: 20 <sup>1</sup>/<sub>2</sub>" x 16 <sup>1</sup>/<sub>4</sub>" x 2 <sup>1</sup>/<sub>4</sub>"

Core Dimension: 17 <sup>7</sup>/<sub>16</sub>" x 16 <sup>1</sup>/<sub>16</sub>" x 1 <sup>5</sup>/<sub>8</sub>"

Inlet: (4) #10 O-Ring Boss

Outlet: 1 <sup>1</sup>/<sub>2</sub>"

Filler Neck: 32mm I.D.



## ➤ 209649 SPRINT CAR RADIATOR 22 x 20

All aluminum and machined billet aluminum filler neck.  
1 row of true 42mm (1 <sup>5</sup>/<sub>8</sub>" ) High efficiency tube  
Sprint Car radiator for 305, 360 & 410 class engines

Overall Dimension: 21 <sup>3</sup>/<sub>8</sub>" x 19 <sup>7</sup>/<sub>8</sub>" x 2 <sup>1</sup>/<sub>4</sub>"

Core Dimension: 18 <sup>1</sup>/<sub>8</sub>" x 19" x 1 <sup>5</sup>/<sub>8</sub>"

Inlet: (4) #10 O-Ring Boss

Outlet: 1 <sup>1</sup>/<sub>2</sub>"

Filler Neck: 32mm I.D.

## ➤ 209644 ALCOHOL RADIATOR

Lightweight design specially engineered for alcohol circle track race engines. 1" tube, 1 row design.

Overall Dimension: 22" x 19" x 3 <sup>1</sup>/<sub>8</sub>"

Core Dimension: 17 <sup>3</sup>/<sub>8</sub>" x 18" x 1"

Hurricane Engine Driven Fan Shroud: Z40020

Electric Fan and Shroud Assembly: Z40073

Inlet: 1 <sup>1</sup>/<sub>2</sub>"

Outlet: 1 <sup>3</sup>/<sub>4</sub>"



# Fan Shrouds



## ➤ Which shroud to use...

Generally, both Electric and Engine Driven Fan Shrouds are effective for cooling. There are however a few points to consider, which may affect your final decision...

- **Stop & Go Driving:** Low engine or driving speed contributes to heat build up and the low speed offers little RAM effect of air flow as you would experience at highway speed. If most of your driving is at low speed, consider our MAX (High CFM) fan shrouds, or add an electric “pusher fan” to supplement your engine driven fan shroud.
- **Tight Engine Quarters:** If your engine compartment is cramped and the air passing through the radiator will have a difficult time exiting, you may choose a MAX (High CFM) fan as an alternative.
- **Limited Space Conditions:** This may require you to choose a low-profile fan option. These slim fans fit in tight areas.
- **Weigh out which cooling fan type is best for you.** Electric fans have advantages, but so do engine-driven fans. Your fan and shroud choice is important in your vehicles operation. Please carefully consider which fan or shroud assembly will provide you the best cooling options.
- **Today 70% of project vehicles** have engine driven fans and 30% choose electric. Whatever your choice, the right fan and shroud will do the job!

If you are unsure, ask an industry expert what they recommend, but be sure to provide them all the details so the answers you receive direct you to the right choice.

1-800-328-8900 • [www.NorthernRadiator.com](http://www.NorthernRadiator.com)

# Engine Driven Fan Shroud



Featuring Northern Engine Driven Fan Shroud

## Features:

- \*Made for exact fit of many Northern Race Pro, Muscle Car, HotRod radiators, custom radiators and fits most other brands
- Allows the installer the choice of off center, side to side and above the radiator fan positioning
- For crossflow or downflow radiator mounting
- Includes fully formed shroud of .063" lightweight aircraft aluminum
- 3" Trimable Collar
- Adjustable collar, adjusts for 15"-20" fan diameters
- Includes all the necessary hardware and instructions for mounting
- Made in the U.S.A.

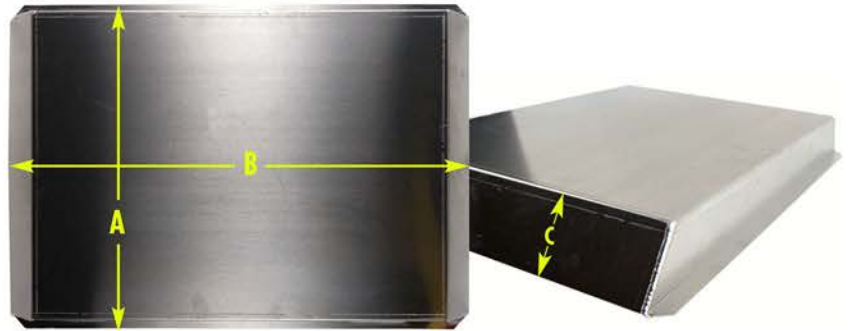


## ENGINE DRIVEN FAN SHROUD KIT:

- 1 Fan Shroud
- Fan Ring (3" x 65")
- 6 Fan Shroud to Fan Ring 90° Mounting Brackets
- 18 Stainless Steel 10-32 Machine Screws
- 1-Flat Tab (3" x 7")
- 6-Self Tapping Screws
- 18 Stainless Steel 10-32 Self Locking Nuts



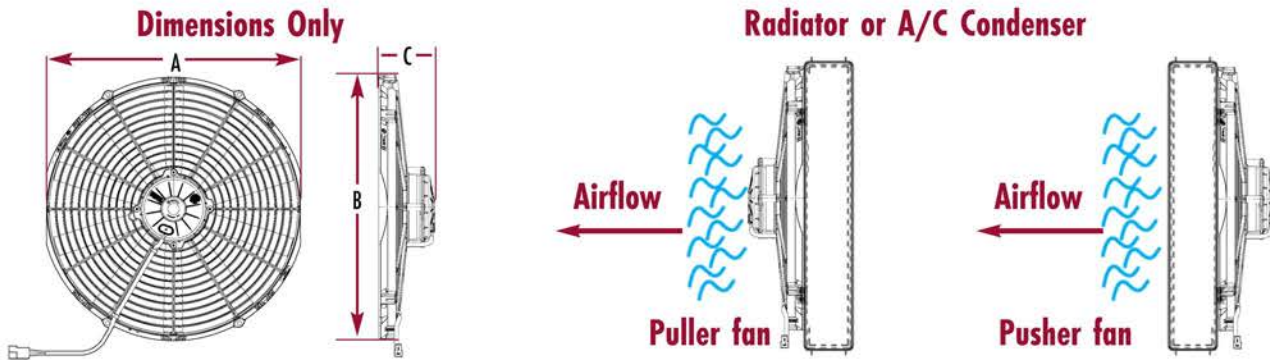
# Engine Driven Fan Shroud



PART #	APPLICATION FOR NORTHERN ALUMINUM RADIATORS	MEASURES		
		*A	*B	C
<b>Z40020</b>	209670, 209674, 209612, 209616, 209644, 205150, 209600B	19 5/16"	16 3/4"	2 1/2"
<b>Z40021</b>	209671, 209675, 209635, 209636, 205152, 209613, 209617, 209601B	19 3/8"	20 1/2"	2 1/2"
<b>Z40022</b>	209672, 209676, 209614, 209618, 209624, 209625, 209638, 209639, 205186, 209602B	19 1/4"	22"	2 1/2"
<b>Z40023</b>	209673, 209677, 209615, 209619, 209626, 209627, 209640, 205066, 205063, 205027, 205062, 205056, 209603B, 205123	19 3/8"	25 3/4"	2 1/2"
<b>Z40024</b>	209633, 209634, 209642, 209643, 209679, 209678, 205151, 205054, 205053, 205203	19 1/4"	18 7/8"	2 1/2"
<b>Z40025</b>	205064, 205030, 205059	17 7/8"	15 1/8"	2 1/2"
<b>Z40026</b>	205060, 205061, 205065, 205026	18 1/8"	28 1/8"	2 1/2"
<b>Z40027</b>	209620, 209621, 209622, 209623	16"	22 1/4"	2 1/2"
<b>Z40028</b>	209628, 209629, 209630, 209631, 205142, 205183, 205176	16"	26 1/4"	2 1/2"
<b>Z40029</b>	205155, 205156	18 5/8"	15"	2 3/8"
<b>Z40030</b>	205072, 205125, 205140, 205182	18 1/2"	21 1/2"	2 7/8"
<b>Z40031</b>	205070, 205071, 205187	18 3/8"	22"	2 5/8"
<b>Z40032</b>	205161, 205163	16"	21 1/8"	2 1/2"
<b>Z40033</b>	205162, 205164, 205132, 205137, 205200, 205195	25 1/8"	15"	2 1/2"
<b>Z40034</b>	205028, 205057, 205193	18"	20 1/2"	2 1/2"
<b>Z40035</b>	205029, 205058, 205196, 205210	18 7/8"	24 1/8"	2 1/2"
<b>Z40036</b>	205122	22 7/8"	16 1/4"	2 1/2"
<b>Z40038</b>	205213, 205214	19 5/8"	14 7/8"	2 3/4"

\* Fan shroud kit includes necessary hardware to make adjustable mounting easy on any brand of radiator.

# Electric Cooling Fans



Measure the condenser or radiator before installation and use the largest fan that will easily fit.

NFS Part #	Fan Type	Fan Dia.	# of Blades	CFM (at 0 Static Pressure)	AMP Draw	Fan Assembly Dimensions		
						A	B	C

**MINI FANS** These Mini Fans are great for small applications. Use on external oil coolers, ATV Radiators, Motorcycle Radiators and more. Puller Fan only. Spal Fan.

<b>BM346962*</b>	Pull	4"	5	148	2.2	4 1/4"	4 1/4"	2 3/8"
<b>BM346963*</b>	Pull	7 1/2"	10	437	5	7"	7 1/4"	2 1/16"

**LOW PROFILE** Northern's slim-line option in electric fans offers sleek design where clearance may be an issue. Puller Fan only. Spal Fan. **Recommended for up to 390HP**

<b>BM346945*</b>	Pull	10"	10	649	6.4	10 9/16"	11 1/4"	2 1/16"
<b>BM346947*</b>	Pull	12"	10	861	7	12 5/8"	13 1/4"	2 1/16"
<b>BM346949*</b>	Pull	14"	10	956	7	14 7/16"	15 1/16"	2 1/16"
<b>BM346951*</b>	Pull	16"	10	1298	7.5	15 3/4"	16 1/4"	2 1/16"

**ECONOMY** Use as a primary fan to free up wasted horsepower and extend waterpump life. Reversible fan. **Recommended for up to 390HP**

<b>BM346937</b>	Reversible	10"	10	450	5	10 1/2"	9 9/16"	2 1/4"
<b>BM346936</b>	Reversible	11"	10	725	5	11 1/2"	10 15/16"	2 1/4"
<b>BM346938</b>	Reversible	12"	10	760	6	12"	13 3/4"	2 1/4"
<b>BM346939</b>	Reversible	14"	10	1300	14	14 1/2"	15"	3 1/2"
<b>BM346940</b>	Reversible	16"	10	1600	16	16"	17"	3 3/4"

\*These fans do not include mounting feet.

# Electric Cooling Fans

Measure the condenser or radiator before installation and use the largest fan that will easily fit.

NFS Part #	Fan Type	Fan Dia.	# of Blades	CFM (at 0 Static Pressure)	AMP Draw	Fan Assembly Dimensions		
						A	B	C
<b>PERFORMANCE</b> Great Performance in pusher or puller style fan. Adds cooling capacity to avoid overheating. Spal Fan. Recommended for up to 390HP								
<b>BM346955*</b>	Push	12"	10	1227	11.8	12 5/8"	13 1/4"	2 1/2"
<b>BM346959*</b>	Pull	12"	10	1097	11.8	12 5/8"	13 1/4"	2 1/2"
<b>BM346956*</b>	Push	14"	10	1274	9.9	14 1/2"	15"	2 1/2"
<b>BM346960*</b>	Pull	14"	10	1274	9.9	14 1/2"	15"	2 1/2"
<b>BM346957*</b>	Push	16"	10	1605	11.0	15 3/4"	16 3/8"	2 1/2"
<b>BM346961*</b>	Pull	16"	10	1605	11.0	15 3/4"	16 3/8"	2 1/2"

<b>MAX (HIGH CFM)</b> Ultra duty high CFM fan. Get extra cooling capacity with these high CFM fans. Puller fan only. Spal Fan. Recommended for engines running 390HP and above								
<b>BM346946*</b>	Pull	10"	5	1103	11	10 5/8"	11 1/4"	3 3/4"
<b>BM346948*</b>	Pull	12"	5	1640	14	12 5/8"	13 1/4"	3 3/8"
<b>BM346966*</b>	Pull	12"	7	1870	28.6	13"	13"	4 3/8"
<b>BM346950*</b>	Pull	14"	10	1788	21.1	14 7/16"	15 1/16"	3 3/8"
<b>BM346965*</b>	Pull	16"	7	1950	27.4	15 3/4"	15 3/4"	4 3/8"
<b>BM346952*</b>	Pull	16"	10	2024	19.5	15 3/4"	16 1/4"	3 3/8"

\*These fans do not include mounting feet.

## SPAL FAN MOUNTING FEET



**Z43002** ⤵  
Spal Fan Mount Crows Feet / 4Pk



**Z43004** ⤵  
Spal Fan Medium Mount Feet 1 1/8" / 4Pk

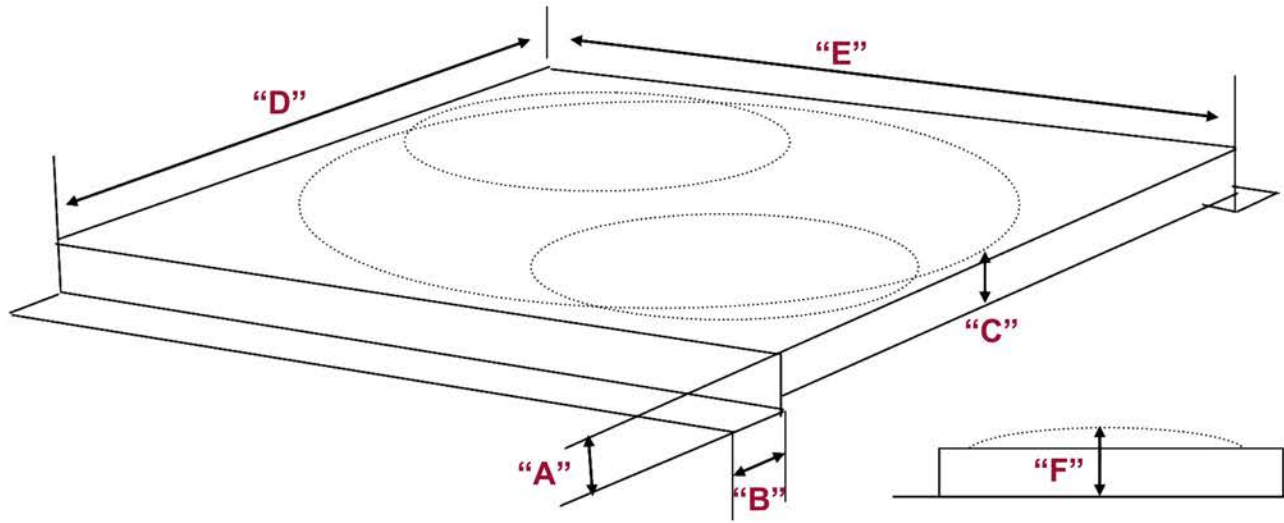


**Z43003** ⤵  
Spal Fan Long Mount Feet 2 1/2" / 4Pk



**Z43005** ⤵  
Spal Fan Short Mount Feet 3/4" / 4Pk

# Electric Fan Shroud Assembly Specifications



Part #	# of Fans	A	B	C	D	E	F	Fan Size	Total AMP Draw	Total CFM
Z40002	2	3/4"	5/8"	1/2"	18 1/8"	22 3/8"	2 5/8"	11"	18.2	1924
Z40003	2	3/4"	5/8"	1/2"	18 1/8"	26"	2 5/8"	12"	13.8	2066
Z40004	2	3/4"	1/2"	1/2"	17 1/4"	28"	2 5/8"	12"	13.8	2066
Z40006	2	3/4"	1/2"	1/2"	17 3/8"	25 3/4"	2 5/8"	12"	13.8	2066
Z40007	2	3/4"	1/2"	1/2"	17 1/4"	22 1/8"	2 5/8"	10"	16	1594
Z40010	2	3/4"	1/2"	1/2"	17 5/8"	27 1/4"	2 5/8"	12"	13.8	2066
Z40013	2	1 1/8"	1/2"	1/2"	17 5/8"	21 3/4"	3"	10"	16	1594
Z40014	2	3/4"	3/4"	1/2"	17 1/2"	24"	2 5/8"	11"	18.2	1924
Z40015	2	1 1/4"	1/2"	1/2"	17 5/8"	23 5/8"	3 1/8"	11"	18.2	1924
Z40016	2	3/4"	1/2"	1/2"	17 3/8"	25 3/4"	2 5/8"	10"	16	1588
Z40066	2	3/4"	5/8"	1/2"	18 1/8"	22 1/8"	2 5/8"	11"	18.2	1924
Z40067	1	3/4"	5/8"	1/2"	21 1/8"	15"	4"	14"	21.1	1788
Z40069	2	3/4"	5/8"	1/2"	24"	14 7/8"	2 5/8"	11"	18.2	1924
Z40070	2	3/4"	3/4"	1/2"	17 1/2"	25 3/4"	2 5/8"	12"	13.8	2066
Z40071	2	3/4"	5/8"	1/2"	15"	26"	2 5/8"	12"	13.8	2066
Z40073**	1	3/4"	5/8"	1/2"	18 1/4"	17"	4 1/4"	16"	18.5	1917
Z40074**	1	3/4"	5/8"	1/2"	18 1/4"	20 5/16"	4"	16"	18.5	1917
Z40075*	2	3/4"	5/8"	1/2"	18 1/8"	22 3/8"	4 3/8"	11"	28	2726
Z40076**	2	3/4"	5/8"	1/2"	18 1/8"	26"	4 3/8"	12"	33 <sup>(1)</sup>	3280
Z40081	2	3/4"	5/8"	1/2"	14 7/8"	22 1/8"	2 5/8"	10"	16	1594
Z40083**	2	3/4"	1/2"	1/2"	17 3/8"	27 1/4"	4 3/8"	12"	33 <sup>(1)</sup>	3280
Z40084**	1	3/4"	1/2"	1/2"	17 3/8"	20 1/2"	4 1/4"	16"	18.5	1917
Z40086**	2	1 1/8"	1/2"	1/2"	17 5/8"	21 3/4"	4 7/8"	10"	22.6	2230
Z40087**	2	1 1/4"	1/2"	1/2"	17 5/8"	23 5/8"	3 7/8"	11"	28 <sup>(1)</sup>	2726

\*\* Max Fan

(1) Due to higher Amp draw, wiring harness Z41032 should be used with Dual MAX Fans!

# Electric Fan Shroud Assembly Specifications

Part #	# of Fans	A	B	C	D	E	F	Fan Size	Total AMP Draw	Total CFM
Z40088	2	3/4"	1/2"	1/2"	17 3/8"	20 1/2"	2 5/8"	10"	16 <sup>(1)</sup>	1594
Z40089**	1	1 1/4"	—	3/8"	18"	15 3/4"	6 1/16"	14"	21.1	1788
Z40091	2	3/4"	5/8"	1/2"	18 1/8"	20 3/4"	2 5/8"	10"	16	1594
Z40092**	2	3/4"	5/8"	1/2"	15"	26"	4 3/8"	12"	33 <sup>(1)</sup>	3280
Z40093**	2	3/4"	1/2"	1/2"	17 1/4"	22 1/8"	4 1/4"	10"	22.6	2230
Z40094**	2	3/4"	5/8"	1/2"	18 3/8"	19"	4 1/4"	10"	22.6	2230
Z40095**	2	3/4"	5/8"	1/2"	18 1/8"	22 1/8"	4 1/2"	11"	28 <sup>(1)</sup>	2726
Z40096	1	2 5/8"	—	3/8"	18"	15 1/4"	5 1/16"	14"	9.9	1274
Z40097	1	1"	3/4"	1/4"	20 5/8"	16 3/8"	4 1/4"	16"	18.5	1917
Z40098	2	3/4"	5/8"	1/2"	18 3/8"	19"	2 5/8"	10"	16	1594
Z40099**	2	3/4"	1/2"	1/2"	17 1/4"	28"	4 1/4"	12"	33 <sup>(1)</sup>	3280
Z40100	2	1 5/8"	1/2"	1/2"	14 7/8"	25 7/8"	3 5/8"	12"	13.8	2066
Z40101	2	1 5/8"	1/2"	1/2"	14 7/8"	25 7/8"	4 7/8"	12"	33	3280
Z40103	2	1/4"	—	—	21 5/8"	16 9/16"	1 3/4"	10"/11"	16	1750
Z40104	2	5/8"	1/2"	1/2"	18 1/2"	27 7/8"	2 5/8"	12"	13.8	2066
Z40105	2	—	—	7/16"	15"	24 1/8"	2 1/4"	11"	18.2	1924
Z40106	2	—	—	7/16"	15"	24 3/8"	2 1/4"	11"	18.2	1924
Z40107	1	3/8"	—	—	16 5/16"	21 3/4"	4 3/8"	16"	18.5	1917
Z40108	2	3/8"	—	—	20 3/4"	18 3/16"	2 1/8"	10"	16	1594
Z40109	2	3/8"	—	—	17 1/4"	25"	3 5/8"	11"	28	2726
Z40110	1	3/8"	—	—	19 7/8"	21 3/4"	3 7/8"	16"	18.5	1917
Z40111	2	3/8"	—	—	21 3/4"	19 3/4"	3 5/8"	11"	28	2726
Z40112	2	3/8"	—	—	16 1/2"	20 1/2"	1 7/8"	10"	16	1594
Z40113	2	3/8"	3/4"	3/8"	23"	15"	3 7/8"	11"	28	2726
Z40114	1	5/8"	7/8"	9/16"	19 1/2"	15 5/8"	4 1/8"	14"	21.1	1720
Z40115	1	5/8"	7/8"	9/16"	19 1/2"	15 5/8"	3"	14"	11	1280
Z40118	1	5/8"	1 1/2"	1/2"	20 3/4"	17 1/4"	4"	16"	18.5	1918
Z40120	1	3/4"	5/8"	5/8"	15"	20"	4 1/8"	14"	21.1	1788
Z40121	2	5/8"	3/4"	1/2"	24 1/8"	14 7/8"	3 1/4"	11"	22	2600
Z40126	2	11/16"	1/2"	1/2"	15 3/4"	24 5/8"	2 3/4"	11"	18.2	1924
Z40127	2	3/4"	1/2"	1/2"	15 3/4"	24 3/4"	3 1/4"	11"	22	2600
Z40128	2	1 1/16"	9/16"	7/16"	22 7/8"	16 3/8"	3"	10"	20	1900
Z40129	2	1 1/16"	9/16"	7/16"	22 7/8"	16 1/2"	3 5/8"	11"	28	2800
Z40130	2	11/16"	1/2"	1/2"	16 3/4"	24 3/4"	2 3/4"	11"	18.2	2000
Z40131	2	11/16"	1/2"	1/2"	16 3/4"	24 3/4"	3 1/4"	11"	18.2	2800
Z41035**	1	3/4"	5/8"	1/2"	18 1/4"	19"	4"	16"	18.5	1917
Z41036	2	3/4"	1/2"	1/2"	17 1/4"	33 5/8"	3 1/8"	16"	22	3210
Z41038**	2	3/4"	5/8"	1/2"	14 7/8"	22 1/8"	4 1/4"	10"	22.6	2230
Z41041	2	3/8"	—	—	19 1/2"	21 5/8"	1 3/4"	11"	18.2	1924

\*\* Max Fan

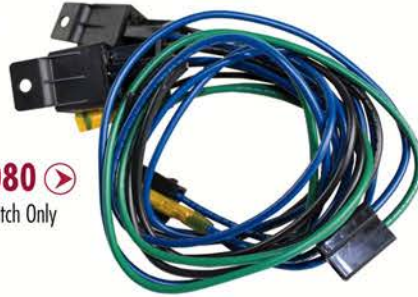
(1) Due to higher Amp draw, wiring harness Z41032 should be used with Dual MAX Fans!

# Electric Fan Wiring

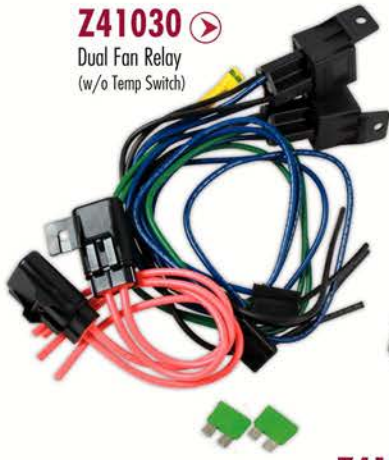
➤ These wiring kits work on Northern and other brands of electric fans.



⊖ **Z40078**  
Relay and Temp Switch Kit



**Z40080** ➤  
Relay Switch Only



**Z41030** ➤  
Dual Fan Relay  
(w/o Temp Switch)



**Z41032** ▲  
Dual Fan Relay w/Temp Switch

## Single or Dual Standard Performance Fans, you will need:

The fixed speed control method has a long history of proven operation at an economical up front cost. Relays protect your vehicles sensitive electronic components from surges and high ampere draw by routing electrical draw directly from the battery to your fan. Think of the relay as a remote electric switch, small amounts of current from your ignition switch or mechanical temp switch send a signal to the relay to activate. The relay then switches the heavy current from the battery to the fan. Remember to locate your fuse near the battery to protect all of the wiring downstream in the event of a short. The disadvantage is this system is either on or off. The fan speed is not variable.

## Single or Dual High CFM Fans, you will need:

A dual relay wiring harness is coupled with a Temperature Switch, which controls both fans. The relays regulate the fan start-up to avoid voltage spikes. The fans on and off operation will be controlled by the coolant temperature and the temp switch.

### GROUNDING IN-LINE HOSE TEE WITH 3/8" NPT PORT



For early model vehicles without a sensor port on the engine block or those engines which are supercharged, this hose tee allows you to splice into your inlet hose and insert a temperature sensor. Includes ground lead for use with temp switch.

- **Z17642** 1 1/4" dia. tube
- **Z17627** 1 1/2" dia. tube

### ADJUSTABLE TEMPERATURE SENSOR

➤ **BM346932**



An optional control for either single or dual fan situations is an adjustable temperature sensor control.

### REPLACEMENT 40 AMP RELAY

➤ **Z40080**



Relay switched wiring harness protects vehicle's computer and Electrical system.

# Fan & Shroud Hardware

## Fan Motor Mounting Kit

Universal pad type mounts for through the radiator mounting. Kit includes 4 of each part.

➤ **Z18344**



## Shroud Clip Bracket Kit

Allows for use of OEM shroud. Fan shroud clips for 205072, 205133, 205140, 205141

➤ **Z50720**



## Single Wire Temperature Switch



Northern coolant temperature switch. Use with Northern Fan relay kits Z40080 & Z41030.

3 AMP, 32 VDC, Grounded Case  
➤ **Z18346** 185°/165°  
➤ **Z18347** 195°/175°

## Transmission Temperature Fan Controller Kit



Turns transmission cooler fan on/off at 185°. Runs cooling fan only when transmission oil temperature is over 185 degrees.

➤ **Z18348**

## Air Conditioning Relay



Hooks up to air conditioner, automatically engages fan when air conditioner is turned on. Prevents overheating. Great for classic or performance vehicles.

➤ **BM346934**

## Single Fan Pigtail Connector



Male pigtail only for single Northern fans. Required when not using Northern relay harness.

**Note:** Pigtails are included on Northern relay harnesses.

➤ **Z40079**

## Spal Fan Mount Crows Feet



➤ **Z43002** 4 Pk

## Spal Fan Long Mount Feet



➤ **Z43003** 2 1/2" 4 Pk

## Spal Fan Medium Mount Feet



➤ **Z43004** 1 1/8" 4 Pk

## Spal Fan Short Mount Feet



➤ **Z43005** 3/4" 4 Pk

## 18" Nylon Flex Fans

Lightweight, nylon fan trim-able to exact size. Low HP draw.

➤ **Z13500**



## Steel Fixed Pitch Racing Fans

Recommended for all types of performance and race applications where maximum airflow is needed for cooling.

➤ **Z10150** 15 inch

➤ **Z10170** 17 inch



# Fan & Shroud Application Guide



Generally, both **Electric and Engine Driven Fan Shrouds** are effective for cooling!

## What you need...

Northern Radiator has a fan, shroud or complete assembly to cool your vehicle!

Radiator Part #	Hurricane Engine Driven Fan Shroud	Single Electric Fan Assembly up to 390HP	Dual Electric Fan Assembly up to 390HP	Max Electric Fan Assembly Over 390HP	Low Profile Fan Assembly Up To 390HP
204100BC	-----	-----	-----	-----	-----
204101BC	Z40020	Z40073	-----	-----	-----
204102BC	Z40024	Z41035	Z40098	Z40094	-----
204103BC	Z40021	Z40091	-----	Z40074	-----
204104BC	Z40022	-----	Z40002	Z40075	-----
204105BC	Z40023	-----	Z40003	Z40076	-----
204106BC	Z40021	-----	-----	Z40074	-----
204107BC	Z40023	-----	-----	Z40076	-----
204109	Z40020	Z40073	-----	-----	-----
204110	Z40020	Z40073	-----	-----	-----
205026	Z40026	-----	Z40004	Z40099	-----
205027	-----	-----	Z40006	Z40082	-----
205028	Z40034	-----	Z40088	Z40084	-----
205029	Z40035	-----	Z40014	-----	-----
205030	Z40025	-----	-----	Z40089	Z40096
205053	Z40024	Z41035	Z40098	Z40094	-----
205054	Z40024	Z41035	Z40098	Z40094	-----
205055	Z40026	-----	Z40004	Z40099	-----
205056	-----	-----	Z40006	Z40082	-----
205057	Z40034	-----	Z40088	Z40084	-----
205058	Z40035	-----	Z40014	-----	-----
205059	Z40025	-----	-----	Z40089	Z40096
205060	Z40026	Z40010	Z40083	-----	-----
205061	Z40026	-----	Z40004	Z40099	-----

FAN SHROUDS

# Fan & Shroud Application Guide

Radiator Part #	Hurricane Engine Driven Fan Shroud	Single Electric Fan Assembly up to 390HP	Dual Electric Fan Assembly up to 390HP	Max Electric Fan Assembly Over 390HP	Low Profile Fan Assembly Up To 390HP
205062	-----	-----	Z40006	Z40082	-----
205063	Z40023	-----	Z40070	-----	-----
205064	Z40025	-----	-----	Z40089	Z40096
205065	Z40026	-----	Z40004	Z40099	-----
205066	Z40023	-----	Z40016	-----	-----
205067	Z40028	-----	Z40071	Z40092	-----
205069	-----	-----	-----	Z41036	-----
205070	Z40031	-----	Z40007	Z40093	-----
205071	Z40031	-----	Z40007	Z40093	-----
205072	Z40030	-----	Z40013	Z40086	-----
205087	-----	-----	-----	-----	-----
205088	-----	-----	-----	-----	-----
205122	Z40036	Z40097	-----	-----	-----
205123	Z40023	-----	-----	-----	-----
205125	Z40030	-----	Z40013	Z40086	-----
205132	Z40033	-----	Z40069	-----	-----
205133	-----	-----	Z40015	Z40087	-----
205137	Z40033	-----	Z40069	-----	-----
205138	-----	-----	-----	-----	-----
205140	Z40030	-----	Z40013	Z40086	-----
205141	Z40030	-----	Z40013	Z40086	-----
205142	-----	-----	Z40100	Z40101	-----
205150	Z40020	-----	-----	Z40073	-----
205151	Z40024	Z41035	Z40098	Z40094	-----
205152	Z40021	-----	Z40091	Z40074	-----
205155	Z40029	-----	-----	-----	-----
205156	Z40029	-----	-----	-----	-----
205159	Z40022	-----	Z40066	Z40095	-----
205160	Z40022	-----	Z40066	Z40095	-----
205161	Z40032	Z40067	-----	-----	-----
205162	Z40033	-----	Z40069	-----	-----
205163	Z40032	Z40067	-----	-----	-----
205164	Z40033	-----	Z40069	-----	-----
205175	-----	-----	Z40103	-----	-----
205176	-----	-----	Z40103	-----	-----
205177	-----	-----	Z40081	Z41038	-----
205178	-----	-----	Z40105	-----	-----
205179	-----	-----	Z40104	-----	-----
205181	-----	-----	Z40126, Z40127	-----	-----
205182	Z40030	-----	Z40013	Z40086	-----

# Fan & Shroud Application Guide

Radiator Part #	Hurricane Engine Driven Fan Shroud	Single Electric Fan Assembly up to 390HP	Dual Electric Fan Assembly up to 390HP	Max Electric Fan Assembly Over 390HP	Low Profile Fan Assembly Up To 390HP
205183	-----	-----	Z40100	Z40101	-----
205184	-----	-----	Z40015	Z40087	-----
205185	-----	-----	Z40106	-----	-----
205186	-----	Z40110	Z41041	Z40111	-----
205187	Z40031	-----	Z40066	Z40095	-----
205188	-----	-----	Z40106	-----	-----
205190	-----	Z40110	Z41041	Z40111	-----
205191	-----	-----	-----	Z40109	-----
205192	-----	-----	-----	Z40109	-----
205193	Z40034	-----	Z40108	-----	-----
205194	-----	-----	-----	Z40109	-----
205195	Z40033	-----	Z40106	-----	-----
205196	Z40035	-----	-----	-----	-----
205197	-----	Z40107	Z40112	-----	-----
205198	-----	Z40107	Z40112	-----	-----
205199	-----	Z40107	Z40112	-----	-----
205200	Z40033	-----	Z40106	-----	-----
205201	-----	-----	-----	-----	-----
205202	-----	-----	-----	-----	-----
205203	Z40024	-----	-----	-----	-----
205204	-----	-----	-----	-----	-----
205205	-----	-----	-----	-----	-----
205206	-----	-----	-----	-----	-----
205207	-----	-----	-----	-----	-----
205208	-----	-----	-----	-----	-----
205209	-----	-----	-----	-----	-----
205210	Z40035	-----	-----	-----	-----
205211	-----	-----	-----	-----	-----
205212	-----	-----	-----	-----	-----
205213	Z40038	Z40114	-----	Z40115	-----
205214	Z40038	Z40114	-----	Z40115	-----
205215	Z40026	-----	Z40004	Z40099	-----
205216	-----	-----	Z40006	Z40082	-----
205217	-----	-----	-----	-----	-----
205218	-----	-----	-----	-----	-----
205219	-----	-----	-----	-----	-----
205220	-----	-----	-----	-----	-----
205221	-----	-----	-----	-----	-----
205222	-----	-----	-----	-----	-----

FAN SHROUDS

# Fan & Shroud Application Guide

Radiator Part #	Hurricane Engine Driven Fan Shroud	Single Electric Fan Assembly up to 390HP	Dual Electric Fan Assembly up to 390HP	Max Electric Fan Assembly Over 390HP	Low Profile Fan Assembly Up To 390HP
205224	-----	-----	-----	-----	-----
205225	-----	-----	-----	-----	-----
205226	-----	-----	-----	-----	-----
205227	-----	-----	-----	-----	-----
205228	-----	-----	-----	-----	-----
205229	-----	-----	-----	-----	-----
205230	-----	-----	-----	-----	-----
205231	-----	-----	Z40128, Z40129	-----	-----
205232	-----	-----	Z40130, Z40131	-----	-----
205233	-----	-----	-----	-----	-----
205235	-----	-----	-----	-----	-----
205236	-----	-----	-----	-----	-----
205238	-----	-----	-----	-----	-----
205239	-----	-----	-----	-----	-----
205240	-----	-----	-----	-----	-----
205241	-----	-----	-----	-----	-----
205242	-----	-----	-----	-----	-----
205244	-----	-----	-----	-----	-----
205245	-----	-----	-----	-----	-----
205248	Z40036	Z40097	-----	-----	-----
209600B	Z40020	Z40073	-----	-----	-----
209601B	Z40021	Z40074	-----	-----	-----
209602B	Z40022	-----	Z40002	Z40075	-----
209603B	Z40023	-----	Z40003	Z40075	-----
209612	Z40020	-----	-----	Z40073	-----
209613	Z40021	-----	Z40091	Z40074	-----
209614	Z40022	-----	Z40002	Z40075	-----
209615	Z40023	-----	Z40003	Z40076	-----
209616	Z40020	-----	-----	Z40073	-----
209617	Z40021	-----	Z40091	Z40074	-----
209618	Z40022	-----	Z40002	Z40075	-----
209619	Z40023	-----	Z40003	Z40076	-----
209620	Z40027	-----	Z40081	Z41038	-----
209620B	Z40027	-----	Z40081	-----	-----
209621	Z40027	-----	Z40081	Z41038	-----
209622	Z40027	-----	Z40081	Z41038	-----
209623	Z40027	-----	Z40081	Z41038	-----
209624	Z40022	-----	Z40002	Z40075	-----
209625	Z40022	-----	Z40002	Z40075	-----

# Fan & Shroud Application Guide

Radiator Part #	Hurricane Engine Driven Fan Shroud	Single Electric Fan Assembly up to 390HP	Dual Electric Fan Assembly up to 390HP	Max Electric Fan Assembly Over 390HP	Low Profile Fan Assembly Up To 390HP
209626	Z40023	-----	Z40003	Z40076	-----
209627	Z40023	-----	Z40003	Z40076	-----
209628	Z40028	-----	Z40071	Z40092	-----
209628B	Z40027	-----	Z40071	-----	-----
209629	Z40028	-----	Z40071	Z40092	-----
209630	Z40028	-----	Z40071	Z40092	-----
209631	Z40028	-----	Z40071	Z40092	-----
209632	-----	-----	-----	-----	-----
209633	Z40024	Z41035	Z40098	Z40094	-----
209634	Z40024	Z41035	Z40098	Z40094	-----
209635	Z40021	-----	Z40091	Z40074	-----
209636	Z40021	-----	Z40091	Z40074	-----
209637	-----	-----	-----	-----	-----
209638	Z40022	-----	Z40002	Z40075	-----
209639	Z40022	-----	Z40002	Z40075	-----
209640	Z40023	-----	Z40003	Z40076	-----
209642B	Z40024	Z41035	Z40098	Z40094	-----
209644	Z42010	-----	-----	Z40073	-----
209648	-----	-----	-----	-----	-----
209649	-----	-----	-----	-----	-----
209650	Z40028	-----	Z40071	Z40092	-----
209651	Z40028	-----	Z40071	Z40092	-----
209657	-----	-----	-----	-----	-----
209657B	-----	-----	-----	-----	-----
209658	-----	-----	-----	-----	-----
209659B	-----	-----	-----	-----	-----
209660	-----	-----	-----	-----	-----
209661B	-----	-----	-----	-----	-----
209662B	-----	-----	-----	-----	-----
209663B	-----	-----	-----	-----	-----
209664B	-----	-----	-----	-----	-----
209665	Z40022	-----	Z40002	Z40075	-----
209666	Z40022	-----	Z40002	-----	-----
209670	Z40020	-----	-----	Z40073	-----
209671	Z40021	-----	Z40091	Z40074	-----
209672	Z40022	-----	Z40002	Z40075	-----
209673	Z40023	-----	Z40003	Z40076	-----
209674	Z40020	-----	-----	Z40073	-----
209675	Z40021	-----	Z40091	Z40074	-----

# Fan & Shroud Application Guide

Radiator Part #	Hurricane Engine Driven Fan Shroud	Single Electric Fan Assembly up to 390HP	Dual Electric Fan Assembly up to 390HP	Max Electric Fan Assembly Over 390HP	Low Profile Fan Assembly Up To 390HP
209676	Z40022	-----	Z40002	Z40075	-----
209677	Z40023	-----	Z40003	Z40076	-----
209678	Z40024	Z41035	Z40098	Z40094	-----
209679	Z40024	Z41035	Z40098	Z40094	-----
209683B	-----	-----	-----	-----	-----
209684B	-----	-----	-----	-----	-----
209685	Z40022	-----	-----	Z40075	-----
209686B	Z40022	-----	-----	Z40075	-----
209687B	Z40023	-----	-----	Z40076	-----
209688	Z40023	-----	-----	Z40076	-----
209689	Z40024	Z41035	Z40098	Z40094	-----
209690	Z40021	-----	Z40091	Z40074	-----
209691	Z40022	-----	Z40002	Z40075	-----
209692	Z40023	-----	Z40003	Z40076	-----
209694	Z40024	Z41035	Z40098	Z40094	-----
209695	Z40021	-----	Z40091	Z40074	-----
209696	Z40022	-----	Z40002	Z40075	-----
209697	Z40023	-----	Z40003	Z40076	-----
209698B	Z40021	-----	-----	Z40074	-----
209699	Z40021	-----	-----	Z40074	-----



## FANS & FAN SHROUDS

Available in related sizes

Northern is your complete cooling system supplier. Find all your High Performance parts online at

▶ [www.NorthernRadiator.com](http://www.NorthernRadiator.com)

# High Performance Products

## Self Fusing Silicone Tape

Self fusing silicone tape forms a permanent air and water tight seal. No adhesive. Good for temperatures from -60° F to +500° F. Insulates up to 8000 volts. Great for sealing race, plumbing or electrical applications. A must for every racers tool box!

➤ **Z16662** Black 1" W x 10' L x 20 mm



## Stic-Tite Aluminum Radiator Repair

Remarkably effective in repairing aluminum radiators. Very easy to apply, just heat surface until hot enough to melt STIC-TITE and then apply a generous amount of STIC-TITE to heated surface.

➤ **Z12156** Diameter .153 (Approx 1/8")



## Aluminum Rod & Flux Repair Kits

Repair aluminum radiators with ease.

Low-temp Alloy 1 - 350° solder kit includes 6 rods and one container of flux. Lower working temp prevents warping and base metal damage.

➤ **Z12171** 6 Rods + Flux



## Low-Temp 600° Alumabraz Flux Core Solder

This low temp, flux filled aluminum rod is soft and ductile making it easy to form around returns and other fittings or use as a rod.

➤ **Z12177** 10 Flux-Filled Rods



# High Performance Products

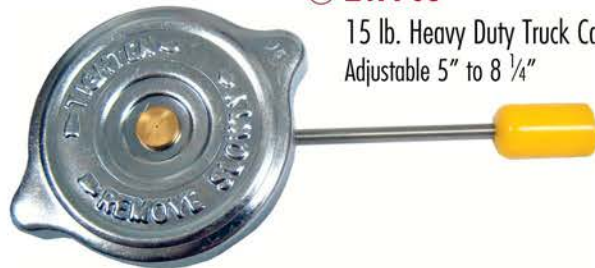
## Sacrificial Anode Automotive or Heavy Duty Truck Radiator Caps

These are patented, scientifically tested radiator caps with a magnesium sacrificial anode attached to the bottom of the radiator cap that hangs down into the coolant. The anode is designed to attract and absorb the electrical energy that causes electrolysis and the magnesium is consumed instead of the aluminum components in the cooling system, thereby reducing repair and maintenance costs.

- **Z17700**  
16 lb. Automotive Cap  
Adjustable 3 1/2" to 6"



- **Z17703**  
15 lb. Heavy Duty Truck Cap  
Adjustable 5" to 8 1/4"



## Race Radiator High Pressure Caps

Northern high pressure radiator caps, exact PSI calibrated. Don't trust your race engine to a No-Name cap. Opening at the wrong pressure and bleeding off coolant will cause your expensive race engine to overheat. We exactly calibrate our cap springs to open at the pressure stated, so your cap stays closed when its supposed to be closed. Buy the best radiator cap, save your race engine. Buy a Northern High Pressure Race Radiator Cap.

- **Z19200** 20 lb.
- **Z19201** 24 lb.
- **Z19210** 26 lb. (Sprint Car Radiator Cap)
- **Z19202** 28 lb.



## Weld-On Filler Cap

Kit includes either aluminum or steel threaded weldable bung and an anodized aluminum billet filler cap with an o-ring seal. Each bung is approximately 2" in diameter OD.



- Ⓜ **Z19220**  
Aluminum Weldable Bung with Filler Cap



- Ⓜ **Z19221**  
Steel Weldable Bung with Filler Cap

# High Performance Products

## Radiator Filler Neck Kit

Heavy duty, billet aluminum. Requires welding to radiator. Kit for adding fillneck to tank at tank height. Requires aluminum welding.



⬆ **Z17606**  
Regular Fillneck Only



⬆ **Z17610**  
90° Fillneck Kit



⬆ **Z17800**  
32MM Machined Fill Neck

## 90° Hose Bender

Creates a 90 degree bend without kinking hose or restricting flow.

Great for street rod heater hoses!



⬆ **Z16600** 90 Degree Hose Bender

## Black Rubber Overflow Tubing

Designed specifically as radiator overflow tubing with great flexibility and kink resistance.



⬆ **RW0041** 5/16" I.D. x 1/16" Wall x 100' Coil Black Rubber

⬆ **Z17601** 5/16" I.D. x 1/16" Wall x 3' Black Rubber

## Aluminum Overflow Fittings

Aluminum overflow fittings for connecting overflow hose to aluminum radiators. 1/8" NPS thread and barb fitting end provides lightweight, positive seal. May be used on Race Pro, Muscle Car and Hotrod Radiators.



⬆ **Z17607** Aluminum 1/8" NPS thread & barb, 5 Pk

# High Performance Products



## Cooling System Fill Kit

Cooling system hose fill kit is used in vehicles with radiators mounted lower than the engine. Features billet filler neck and beaded hose connection. Used in upper radiator hose.

- **Z12006** 1 1/2" x 6" Filler Neck Tee - Remote fill
- **Z17641** 1 1/4" x 6" Filler Neck Tee - Remote fill



## Hose Tees

Allows you to splice into your inlet hose and insert a temp sensor.

- **Z17627** 1 1/2" x 3/8" NPT sensor tee with ground lead, 6" Length

\*\*Sensor NOT Included

## Hose Tees

- **Z17628** 1 1/2" x 6" Diameter with 1/4" NPT port



## Super Speed Drain

- **Z20405** 1/4" NPT knurled knob draincock w/ O-Ring seal. - 5Pk

# High Performance Products

## Mounting Kits

Kit includes 2 aluminum mounting brackets which may be welded to the radiator tanks to allow for flange mounting. Brackets have slotted mounting holes for easy mounting.

➤ **Z12014** Flange mnts. Includes 2 brackets



## Radiator Mounting Kits

Mounting kit made of Steel or Aluminum. Kits include 2 upper and 2 lower mounts. Kit requires part number Z21230 mounting pads, sold separately.

➤ **Z21220**

Steel, Radiator Mounting Kit



➤ **Z21260**

Aluminum, Radiator Mounting Kit



➤ **Z21265**

Downflow Radiator Mounting Kit



## GM Mounting Pad Kit



Rubber pad that molds to radiator for exact fit. Cut to length. For OEM GM radiator mounting.

➤ **Z16516** 6 1/2" x 1" x 3/8" - 2 pack

## Square Rubber Mount Pads



Great for positioning mounting studs to prevent rubbing on radiator and creating holes or stress cracks.

➤ **RW0178-43** 3" x 3 3/16" - 2 pack

## Radiator Mounting Pads



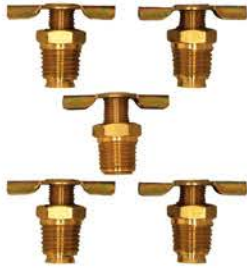
Universal rubber mount pads for anywhere. It fits our Z21260/Z21265 aluminum mount kits, or Z21220 HD steel mount kit.

➤ **Z21230** Sold 2 per pack

# High Performance Products

## Radiator Modification Connections & Fittings

The radiator modification kit eliminates the need for an expensive custom made radiator and saves you hundreds of dollars! Includes all the hardware necessary to customize a Race Pro Radiator to fit your vehicle! Kit includes 1 each of 1 3/4" & 1 1/2" dia. aluminum hose connections and fittings. Requires aluminum welding and fabrication.



⊕ **Z20300**  
Drain Plug (Brass), 5 Pk



⊕ **Z20400**  
1/4" NPT Aluminum Bung, 5 Pk



⊕ **Z12013**  
Radiator Modification Kit

## Single Packs - 90° Hose Connections

- ⊕ **Z17645** 1" 90° Hose Connection (each)
- ⊕ **Z17646** 1 1/4" 90° Hose Connection (each)
- ⊕ **Z17617** 1 1/2" 90° Hose Connection (each)
- ⊕ **Z17648** 1 3/4" 90° Hose Connection (each)
- ⊕ **Z17649** 2" 90° Hose Connection (each)



## Problem Solver Connection Kit



⊕ **Z17625** LS-1 MOD Kit 1 1/2", 1 3/8"

## Step-Up/Step-Down Aluminum Hose

Dual size hose connection.

- ⊕ **Z17629**  
1 5/16" to 1 1/2", Single Pack



## Hose Adapter Kit

Adapts radiator outlet to your hose size.

- ⊕ **Z16524**  
Kit includes:  
One each of 1" to 1 1/4",  
1 1/2" to 1 3/4", and 1 3/4"  
to 2" hose adapters.



# High Performance Products

## Chrome Radiator Overflow Tanks

Polished chrome radiator overflow tanks. A great way to update your performance or race vehicle for positive control of engine coolant overflow. Includes all necessary hardware for installation. Various sizes available. \*\*Capacity to the top of the internal overflow tube. Measured in fluid ounces.



- **Z12016** 13" x 2", 14 FL OZ Aluminum/Liquid Capacity
- **Z12017** 15" x 2", 19 FL OZ Liquid Capacity
- **Z12018** 17" x 2", 23 FL OZ Liquid Capacity
- **Z12019** 19" x 2", 26 FL OZ Liquid Capacity

- **Z12020** 10" x 3", 28 Liquid Capacity

## Threaded Boss Bungs

1/4-20 Machined Threaded Boss.

- **Z17555** Sold as a pack of 4



## Double Beaded Connections

Three inch connection with bead on both ends. Cut to length, miter to form angles or use as a splicer. Weldable 6061-T6 Aluminum, .058 Wall. Solves connection fit problems.

- **Z17630** 1" x 3" Connection
- **Z17631** 1 1/4" x 3" Connection
- **Z17632** 1 3/8" x 3" Connection
- **Z17633** 1 1/2" x 3" Connection
- **Z17634** 1 3/4" x 3" Connection
- **Z17635** 2" x 3" Connection

## Weldable Bungs For "An" Hose Connections

To be used with all types of AN hose. Fittings require aluminum welding. One each.



- **Z17540** AN 6
- **Z17541** AN 8
- **Z17542** AN 10
- **Z17543** AN 12
- **Z17544** AN 16
- **Z17545** AN 20

## Weldable Pipe Thread Bungs



These fittings require aluminum welding. (6061-T6 Aluminum)

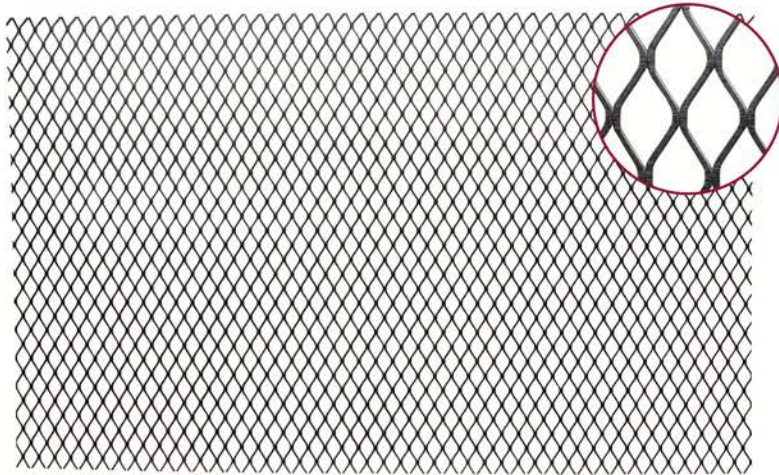
- **Z17550** 1/8", 1/4", 3/8", 1/2" and 3/4" Assortment, 1 Each
- **Z20400** 1/4" NPT Aluminum Bungs, 5 Pk
- **Z17643** Single Pack 3/8" NPT, Single Pk
- **Z17551** 1 1/4" NPT Aluminum Bungs, 2 Pk
- **Z17552** 1" NPT Aluminum Bungs, 2 Pk

# High Performance Products

## Shaker Screen for Race Pro Radiators

Protects your radiator from fin and tube damage. Trim to fit. One size fits all Race Pro radiators. Fits 22", 24", 26", 28" and 31" radiators.

➤ **Z96900** 19" x 31" Screen



## Radiator Quick Mount Kit

Anodized aluminum quick mounts adjust to 3 1/8" for use on radiators up to 3" thick. Fast and easy installation. Tapped mounting holes on bottom and end. Sold as a pair, 4 rubber grip pads included.

➤ **Z16590**

2 Quick Mounts  
& 4 Rubber Grip Pads



## Coolant Flow Restrictors

Engineered for less turbulent water restriction for improved cooling. Slows and smooths coolant flow so coolant has greater time for heat dissipation in the radiator. Install in lower radiator hose. Use with your existing thermostat or thermostat washer restrictor.



➤ **Z16580** Fits 1 5/8" Dia. Therm Housing

➤ **Z16582** Fits 1 3/4" Dia. Therm Housing

## Water Bypass Kit

Updates GM cooling system. Bolts to GM intake manifold. Kit includes billet aluminum bypass adapter. Machined relief for thermostat or coolant flow restrictor. Tapped for 1/2" NPT to allow temperature gauge at this location.

➤ **Z16581**



## Radiator Channel Cap

Aluminum cap to cover radiator side channel. Fits up to 31" overall radiator. Trim to fit.

➤ **Z20233** Plain Aluminum 30"



## Heater Hose Fittings

➤ **Z80182**

5/8" Heater Hose to 1/2" NPT 90°



➤ **Z80184**

3/4" Heater Hose to 1/2" NPT



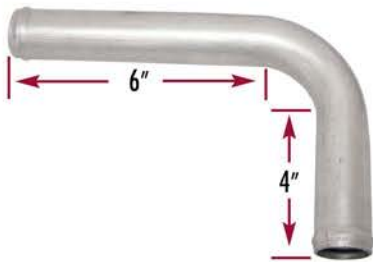
# High Performance Products



Create your own vibration resistant coolant plumbing with Northern's tubes and hoses.  
Tubing made out of aluminized steel and mandrel bent.

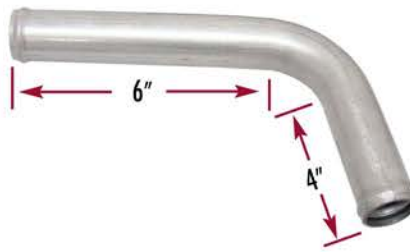
\*All measurements are approximate.

## 90° Bent Steel Radiator Tube



- Z71000 1 1/4" Dia.
- Z71001 1 1/2" Dia.
- Z71002 1 3/4" Dia.

## 75° Bent Steel Radiator Tube



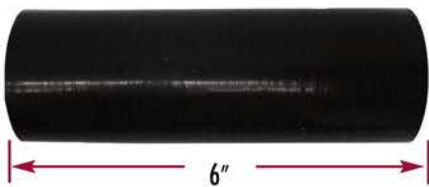
- Z71003 1 1/4" Dia.
- Z71004 1 1/2" Dia.
- Z71005 1 3/4" Dia.

## 45° Bent Steel Radiator Tube



- Z71006 1 1/4" Dia.
- Z71007 1 1/2" Dia.
- Z71008 1 3/4" Dia.

## 6" Straight Silicone Hose



- Z71025 1 1/4" Dia.
- Z71026 1 1/2" Dia.
- Z71027 1 3/4" Dia.

## 45° Silicone Radiator Hose



- Z71028 1 1/4" Dia.
- Z71029 1 1/2" Dia.
- Z71030 1 3/4" Dia.

## 90° Silicone Radiator Hose



- Z71031 1 1/4" Dia.
- Z71032 1 1/2" Dia.
- Z71033 1 3/4" Dia.

## Step-Up/Down Silicone Hose Connectors

- Z71035 1 1/4" to 1 1/2" (8 Length)
- Z71036 1 1/4" to 1 3/4" (8 Length)



# High Performance Products

## Silicone Engine Coolant Plumbing Kit

### High Tech, High Flow Engine Coolant Plumbing!

Designed for all engines, however your application could require additional Northern Coolant Plumbing components depending on the complexity.

Northern Engine Coolant plumbing can be used on all engines, flat heads to Hemi's. Its high tech cooling at an affordable price.



### ➤ Z71051

#### Kit Includes:

- 1 1/2" 45° Silicone Elbow
- 1 1/2" 90° Silicone Elbow
- 1 3/4" 90° Silicone Elbow
- 1 3/4" 45° Double beaded Steel Elbow
- 1 3/4" x 6" Straight Silicone Elbow
- 1 1/2" x 3" Double beaded aluminum connection

## Heavy Duty, Constant Torque Clamps

Heavy duty stainless steel clamps uses a spring design to adjust with the hose and fitting to maintain constant tension on the connection eliminating "Cold Flow" leaks. Excellent choice for use in extreme or fluctuating temperatures.

5/16" Hex Head & 9/16" Band width, 410 Stainless Steel Screw, Sold in box of 10



PART #	MIN SIZE	MAX SIZE	SAE SIZE
➤ Z72000	5/8"	1 1/4"	12
➤ Z72001	1 3/16"	1 3/4"	20
➤ Z72002	1 5/16"	2 1/4"	28
➤ Z72003	1 13/16"	2 3/4"	36
➤ Z72004	2 5/16"	3 1/4"	44
➤ Z72005	2 9/16"	3 1/2"	48
➤ Z72006	3 1/4"	4 1/8"	-
➤ Z72007	3 3/4"	4 5/8"	-
➤ Z72008	4 1/4"	5 1/8"	-

# Blasting Media



➤ Choose the right media for your project!

- Sands and Slags: General Cleaning
- Ground/Fractured Glass: Etching on Metal Surfaces
- Alox Glass Mix: Production Cleaning
- Steel Shot: Peening
- Walnut Shells/Plastic: Soft Metals
- Aluminum Oxide: Fast Cutting
- Round Glass Beads: Matte or Satin Finish
- Plastic Media: Surface Cleaning/Paint Removal
- Walnut Shells: Cleaning Greasy Parts
- Plastic Media: Removing Coatings w/o Damage
- Glass Beads/Steel Shot: Stress Relieve Metal Surfaces
- Round Glass Beads: Removing Light Coating/Oxidation

**REMEMBER:** Blasting works best with dry, oil and grease free parts!

## Plastic Media

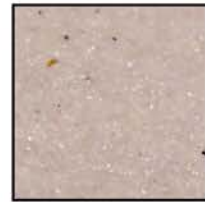
- 20/30 standard mesh, fast, safe & cost effective for surface cleaning & paint removal
- Used on a variety of soft metals, including aluminum, and some composites & steel
- Removes coatings without damage normally associated with hard abrasives
- Applied in range of 200-400 lbs. (depending on nozzle size) per hr. @ 20-40 p.s.i.



➤ Z33150 1 Gallon Can

## Glass Beads

- Removing light coating or oxidation where tolerance and finish must be maintained
- Shot peens and stress relieves metal surfaces
- Use under low pressure for best results
- Recycles well



➤ Z33110 Medium AE - 1 Gallon  
➤ Z33111 Medium AE - 2 Gallon

## Alox Glass

- Blended aluminum oxide and glass bead mixture
- For production cleaning when surface tolerances and etching are not a concern
- Used at low to moderately low pressures
- Recycles well and less expensive than aluminum oxide



➤ Z33120 1 Gallon

## Aluminum Oxide

- Most aggressive media, fast cutting, sharp and hard, will create deep surface profile
- Low to moderately low pressure needed, adjust regulator to achieve desired results
- Breaks down slowly and each new fracture creates a new cutting edge



➤ Z33135 Medium 80 - 1 Gallon  
➤ Z33136 Medium 80 - 2 Gallon

## Ground/Fractured Glass

- More rapid cleaning without deep anchor patterns
- Produces etching on metal surfaces with minimum dust
- Moderately priced
- Used at low to moderately low pressures



➤ Z33115 Medium AE - 1 Gallon

## Walnut Shell

- Soft media for delicate surfaces such as jewelry, precious metals or aluminum
- Generally used at very low pressure but may develop minor anchor pattern
- For cleaning greasy parts, has absorbent qualities



➤ Z33125 Walnut Shells Medium 1220 - 1 Gallon  
➤ Z33126 Walnut Shells Medium 1220 - 2 Gallon

## Black Slag

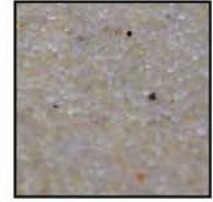
- Inexpensive, used for general cleaning or cleaning dirty surfaces
- Material breaks down rapidly upon first application
- Will leave anchor patterns on surfaces which allow for paint adhesive after blasting



➤ Z33105 Black Slag - 1 Gallon  
➤ Z33106 Black Slag - 2 Gallon

## Silica Sand

- Inexpensive, used for general cleaning or cleaning dirty surfaces
- Material breaks down rapidly upon first application
- Will leave anchor patterns on surfaces which allow for paint adhesive after blasting



➤ Z33100 Silica General Purpose 4030 - 1 Gallon

# Polishing Kits

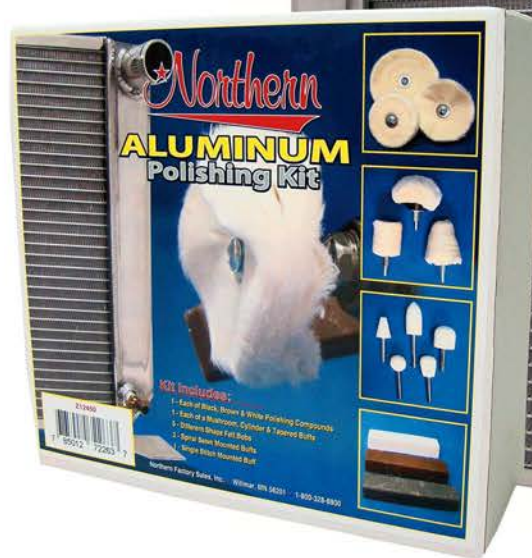
## WHY PAY SOMEONE ELSE TO POLISH YOUR RADIATORS?

Northern's show car quality polishing kits include the right rouge and tools for a mirror smooth brilliant finish. Northern's Radiator Polishing Kits are designed for smooth surface polishing, not for cast surfaces.

### Aluminum Radiator Polishing Kit

- (1) Each of Black, Brown & White Polishing Compounds
- (1) Each of a Mushroom, Cylinder & Tapered Buffs
- (5) Different Shape Felt Bobs
- (2) Spiral Sewn Mounted Buffs
- (1) Single Stitch Mounted Buff

➤ **Z12450**



### Stainless Steel Polishing Kit

- (1) Each of Black, Brown & Green Polishing Compounds
- (1) Each of a Mushroom, Cylinder & Tapered Buffs
- (5) Different Shape Felt Bobs
- (2) Spiral Sewn Mounted Buffs
- (1) Single Stitch Mounted Buff

➤ **Z12455**



# Fuel Tank Liner

## ➤ SEALS LEAKING FUEL TANKS!

Northern Fuel Tank Liner is resistant to gasoline, diesel fuel, hydraulic fluids, alcohol, ethanol and other fuel additives. Its' major use is to seal leaking fuel tanks. Complete Kit Includes Cleaner, Prep and Sealer!

## ➤ Easy Instructions: Clean, Prep, Seal

Will never crack or peel off. No expensive come-backs.

Seals old rust in and prevents future rusting.

Seals all the pin-holes, including the ones you can't find.



Three easy steps, all in one box! Northern offers one retail ready tank liner kit for **Automotive** applications and one kit for **Motorcycles**.

The kits include one of each; Fuel Tank Cleaner, Tank Prep and Fuel Tank Liner. **Ships UPS.**

(Solvents such as methyl ethyl ketone, acetone, methyl chloride and propylene oxide will completely dissolve the polymer. Not recommended for use on water tanks.)



### Cycle & Small Engine Tank Liner Kit

Kit: 1 Pt. Northern Fuel Tank Cleaner RW0125-78, 1 Pt. Northern Fuel Tank Prep RW0125-55, 1Pt. Northern Fuel Tank Liner RW0125-3

➤ **RW0125-8**



### Automobile & Ag Tank Liner Kit

Kit: 1 Qt. Northern Fuel Tank Cleaner RW0125-77, 1 Qt. Northern Fuel Tank Prep RW0125-56, 1Qt. Northern Fuel Tank Liner RW0125-1

➤ **RW0125-9**

# Fuel Tank Liner



Age, corrosion and storage are the enemies of every gas tank. Buying or fabricating replacement is expensive. Saving your gas tank with a permanent repair is a better solution!



## Tank Cleaner

Heavy duty cleaning. A combination of alkaline cleaner and solvent degreaser.

Cleaning and defuming the tank: Pour the quart of Tank Cleaner into the emptied tank. Slush to cover all surfaces. Allow to soak for 15 minute intervals. Drain and rinse with water several times to be sure no detergent residue remains. Remember a few extra minutes of cleaning will let the chemical work so please be patient for the best results. Do not get on to skin or clothing. Be sure to wear gloves and eye protection goggles.

Yes, UPS-Able

- **RW0125-77** Quart
- **RW0125-78** Pint



## Tank Prep

Northern Tank Prep is a petroleum solvent and a drying agent to remove any water from the tank. Having a clean, dry, well-prepared tank surface free of petroleum residue and water is necessary for a successful tank liner bond.

Yes, UPS-Able

- **RW0125-55** Pint
- **RW0125-56** Quart



## Tank Liner

Northern Tank Liner is resistant to gasoline, diesel fuel, alcohol and other fuel additives including E85 fuels. Its major use is to seal leaking fuel tanks. Solvents such as methyl ethyl ketone, acetone, methyl chloride and propylene oxide will completely dissolve the polymer.

Quart and Pint are UPS-Able

(1 Quart will cover one 12-15 gallon car or light truck fuel tank.)

\*\*Gallon hazardous fees apply to shipping.

- **RW0125-1** Quart
- **RW0125-2** Gallon\*\*
- **RW0125-3** Pint

# High Performance Products

## Engine Combustion Leak Test Kit

Quickly & Easily Detects Leaks in all engine types, Gas or Diesel!

Locate blown gaskets, cracked heads or cracked blocks quickly as test fluid changes color when leak is found. Before you start engine repairs, be sure there are no internal motor leaks.

With motor idling, place the tester in radiator filler neck and close off the overflow tube. Use rubber syringe as directed to pull air from radiator, through liquid. If combustion gas is leaking into the cooling system, test fluid changes from blue to yellow.

Can be used 6 or 7 times and returns to the original color when air is re-introduced after test.

### Engine Test Kit Includes:

Combustion Leak Test bulb & 16 oz. bottle test fluid.

**Z14005** Engine Combustion Leak Text Kit

**Z14006** Test Fluid Only 16 oz.

**Z14007** Large Radiator Fillneck Adapter



## High Performance Foaming Aluminum/Steel Cleaner

This is a pre-welding metal cleaner that works as simply as spraying it on and rinsing it off. Northern Welding Whiz is an industrial strength acid cleaner designed specifically for cleaning aluminum/steel parts prior to welding. Spray it on let it foam, rinse off.

➤ **Z14001** 1 Quart Bottle

## Exo-Coat External Fuel Tank Sealer

Northern Exo-Coat is for external use on metal tanks. Can be used on fuel tanks, pontoon floats, floating docks and barges. Just brush it on and let it air dry. Light rust and pin holes are sealed. 1 pint covers 2 average fuel tanks.

➤ **RW0126**

**⚠ WARNING:** This product can expose you to chemicals including Ethylbenzene, Toluene, and Carbon Black, which are known to the State of California to cause cancer. For more information go to [www.P65Warnings.ca.gov](http://www.P65Warnings.ca.gov).



# Oil/Fluid Coolers

High Flow Capacity

Most Efficient Design Due To New Technology

High Efficiency Louvered Cooling Fins, Just Like a Radiator

Welded Cooling Tubes

Furnace Brazed For Strength

OIL/FLUID COOLERS

When you're saving the life of your vehicles transmission, nothing is more important than choosing the cooler up to the task. But demands on transmissions have increased dramatically, lighter transmissions, heavier vehicle weights, nearly double towing capacity ratings, and higher engine operating temperatures. All these realities spell disaster if you can't control the temperature of the transmission fluid. In fact, get those fluids to up around 300° and your transmissions life is shortened by up to 90%!

## Transmission Oil Cooler for Trucks

Northern NEW Generation Transmission Cooler Kits for HD 1/2 Ton Pickups 3/4 Ton and 1 Ton Pickups and blown, super charged, or turbo charged street. Whatever the load, this NEW Generation is the cooler for the hardest working pickup. When you're choosing the cooler for your big vehicle pulling a big trailer and you want maximum cooling, there's only one choice, a NEW Generation Transmission Cooler Kit!

Kit includes mounting hardware and transmission hose.

➤ **Z18028** 16" x 5 1/4" x 1 1/2"

➤ **Z18029** Cooler Only (No-Kit)



# Oil / Fluid Coolers

## COOLER KIT FOR 1/2 TON PICKUPS, SUV'S AND FULL SIZE PASSENGER CARS

High efficiency transmission cooler made just for full size passenger cars, SUV's 1/2 Ton pickups and most High Horsepower Street Rods. When choosing a transmission cooler you need new generation technology! Nothing beats the cooling design of this cooler! Kit includes mounting hardware and transmission hose.



➤ **Z18022 Cooler Only (No-Kit)**  
10" x 3 3/4" x 1 1/4"  
1/2 NPT Fittings (5/16 Inverted Flare Adapters Included)



➤ **Z18027 Automatic Transmission Cooler w/Kit**  
10" x 3 3/4" x 1 1/4"  
1/2 NPT Fittings (5/16 Inverted Flare Adapters Included)

## GM Cooler Kit w/Adapter

High efficiency, stacked plate cooler fits '88-'94 GM trucks with OE #'s 12546251 & 12546252. Also great for use as add-on external oil cooler on Hotrod and Muscle Car applications. 1/2" NPT connections, included 5/16" inverted flare adapters.



➤ **Z18040 8" x 10" Cooler Kit w/Adapters**

## Power Steering Cooler

High efficiency compact cooler is fully brazed aluminum for strength and features welded tubes and high efficiency fins. Cooler is light, strong and durable. Compact size makes mounting easy. May be used for all types of racing power steering pumps.



➤ **Z18050 6" x 4 1/2" x 1 1/4"**

## UNIVERSAL OIL COOLERS



### Universal 7 Plate Oil Cooler

9 3/4" x 3 3/8" x 2" (11 3/8" Overall)  
AN10 Fittings on 8 1/4" Centers

➤ **Z18056**



### Universal 10 Plate Oil Cooler

11 3/4" x 5 1/2" x 2" (13 3/8" Overall)  
AN10 Fittings on 10 1/4" Centers

➤ **Z18057**



### Universal 19 Plate Oil Cooler

10 7/8" x 5 3/4" x 2" (13 Overall)  
AN10 Fittings on 9 3/4" Centers

➤ **Z18058**

# Oil / Fluid Coolers



## OIL COOLER KITS

Engine or Transmission Oil Cooler Kits include 1 cooler, fan, mounting hardware and fitting adapters for transmission or engine oil.

### ◀ Z18041

8" x 10" Medium Cooler w/ 7.5" Fan,  
Overall Depth 3 1/4"

### Z18042 ▶

6 3/8" x 6 3/4" Small Cooler w/ 4" Fan,  
Overall Depth 3 5/8"

Oil Cooler: 1/2" NPT EOC. Includes 5/16" invflare TOC adapters



## NORTHERN SUPER FLOW OIL COOLERS

A NEW engine oil cooler designed. For today's hi-flow wet or dry sump oiling systems. This oil cooler combines hi-flow with high efficiency. The 8 plate design is the maximum size that will fit a Northern 2 row, 1 inch tube radiator. New exclusive parcelled high tubulators offer reduced pressure drop through the cooler. Furnace brazed aluminum case offers industrial strength to withstand the pressure surges of racing. 3/4" NPT inlet and outlets for use with larger high flow and AN fittings.

### ▶ Z18039

3/4" NPT on 11 1/2" Centers, 8 Plates  
1 1/4" Installation Holes

### ▶ Z18038

3/4" NPT on 8 1/2" Centers, 8 Plates  
1 1/4" Installation Holes



Huge 3/4" NPT Fittings Flow Full Volume of AN 12 Oil Fittings

Completely Engineered for High Flow

## OIL COOLER ADAPTERS

Adapts Northern's Muscle Car Radiator oil coolers to fit the original equipment oil cooler lines.

### ◀ Z80200 Adapter

1/2" NPT to 5/16" Inv. - Flare (2pk)

### ◀ Z50650 Steel Adapter

3/4" NPT to 1/2" NPT Steel Female Adapters - 2/PK

### ▶ Z50640 Aluminum Adapters

3/4" NPT to 5/16" INV Flare - Adapters - 2/PK

### ▶ Z80190 Brass Adapter

### ▶ Z80005 Brass Transmission Fitting Adapter

1/8" - 27 NPT x 5/16" SAE Flare (2pk)



# Transmission Products

## Transmission Temperature Fan Controller Kit

Turns transmissions cooler fan on/off at 185°. Runs cooling fan only when transmission oil temperature is over 185 degrees°.

➤ **Z18348**



## Transmission Oil Hose

➤ **Z80420** 5/16" Hose 8' Long



## Auto Transmission Line Kit

Modify your transmission lines to attach to your radiator or replace old lines and fittings. Kit includes 4 different radiator connection tubes, hose and clamps.

➤ **Z80450** 5/16" Transmission Kit

Measure carefully, cut off the old tubing and connect these new tubes with a short section of transmission hose included in the kit.



OIL/FLUID COOLERS



## UNIVERSAL TRANSMISSION OIL/POWER STEERING COOLERS

Transmission cooler capacities are total combined weight of vehicle, passengers, cargo and trailer. For mountain or hilly regions, total weight includes vehicle, trailer, passenger and all cargo.

OVERALL MEASUREMENTS	CORE MEASUREMENTS	CAPACITY	PART #
12 1/8" x 5" x 3/4"	8 3/4" x 5"	10,000 lbs.	<b>Z18010</b>
15 5/8" x 5" x 3/4"	12" x 5"	-----	<b>Z18059</b>
12 1/2" x 7 1/2" x 3/4"	8 3/4" x 7 1/2"	16,000 lbs	<b>Z18014</b>
15 3/4" x 10" x 3/4"	12 1/8" x 10"	20,000 lbs	<b>Z18018</b>

\* All include installation kit.

# Hi-Output Auxiliary Heaters

## HI-OUTPUT MODEL 525

3 Speed Hi-Output Heater , High Efficiency Aluminum Core, All Steel, Powder Coated Case, 12 Volt



### ➤ AH525

6 1/2" x 9 1/2" x 9"  
Directional Louver

## HI-OUTPUT MODEL 530

3 Speed Hi-Output Heater, High Efficiency Aluminum Core, All Steel, Powder Coated Case, 12 Volt



### ➤ AH530

6 3/4" x 6 1/2" x 8 7/8"

## HI-OUTPUT MODEL 550

A large fan with quiet operation! Has full front opening for blowing heat. If you have a vehicle with a large area to heat, then this is the heater for you. 16" x 6 1/2" x 9".

➤ AH550 12 Volt    ➤ AH24550 24 Volt

Features: Large size, dual squirrel cage fans w/full front opening and 3 speed fan.



## HI-OUTPUT MODEL 535

A large fan with big heat! Has dual fans and dual air directional louvers for blowing the heat in the direction needed. If you have a vehicle with a large area to heat, then this heater is for you. Installation kit included. 16 x 6 1/2 x 9".

➤ AH535 12 Volt    ➤ AH24535 24 Volt

Features: Large size, dual 3 speed fans with directional louvers



## HI-OUTPUT MODEL 545

A large fan with big heat! Has dual fans and 3 defroster ducts for conveniently routing air flow to your application. May be used for heating or defrosting. If you have a vehicle with a large area to heat, then this is the heater for you! Installation kit included. 16" x 6 1/2" x 9".

➤ AH545 12 Volt    ➤ AH24545 24 Volt

➤ AH545-1 Hose & Louver Kit

Features: Large size, Dual fans with 3 ducts, and 3 speed fan. This model requires hose & louver kit.

# Auxiliary Heaters

## MODEL 454 - 20,000 BTU

This 20,000 BTU heater has sidewall exit hose connections for convenient wall mounting. Great for applications where through the floor exit is impossible or impractical. Adjustable directional louver allows you to direct the heat just where it is needed most. Installation kit included.



9 1/2" x 6 1/2" x 7" • 12 or 24 volt available.

➤ **AH454** 12 Volt    ➤ **AH24454** 24 Volt

Features: Compact size, 2 speed fan, rear fan guard

For Hi-Output Version see AH525

## MODEL 464 -16,000 BTU

A small compact sized heater with high BTU. This heater features through the floor hose connections, so all coolant connections are located outside of the passenger area. Great for rear van heat. Installation kit included.

6 3/8" x 6 3/4" x 7 1/2"

12 or 24 volt available.

➤ **AH464** 12 Volt

➤ **AH24464** 24 Volt

Features: Compact size, 2 speed fan, steel case and thru the floor hose connections.

For Hi-Output Version see AH530



## MODEL 468 - 20,000 BTU

Through the floor hose connections and bolt to the floor mountings means heavy duty, safe installation. Great for delivery vans, 4 x 4's and much more. Directional air louver is adjustable to direct air flow for best circulation.

9 1/2" x 6 1/2" x 7" • 12 or 24 volt available.

➤ **AH468** 12 Volt    ➤ **AH24468** 24 Volt

Features: Compact size, adjustable louvers, bolt down mounting case.



## MODEL 474 - 20,000 BTU

Greatly used in fleet vehicles, this model was developed with a convenient fan switch, mounted right in the case for easy driver control. Features through sidewall connections.

9 1/2 x 6 1/2 x 7". 12 or 24 volt available.

➤ **AH474** 12 Volt    ➤ **AH24474** 24 Volt

Features: Compact size, 2 speed, case mounted, fan switch, adjustable louvers.



## MODEL 500 -16,000 BTU

Designed for underseat mounting, this compact heater is only 4" tall. Fits under any seat, stays out of the way, and provides 16,000 BTU of heat. Great for vehicles where space is a factor.

10" x 10" x 4". 12 volt only.

➤ **AH500** 16,000 BTU Heater

Features: Compact size, 12 volt, ideal for underseat mounting.

# Classic Copper Radiators

Northern offers a full line of classic copper/brass radiators for all kinds of vintage applications!

## CHEVROLET / GMC

PART #	DPI #	APPLICATIONS	REMARKS	PART #	DPI #	APPLICATIONS	REMARKS
CR161	161	'71-'80 GM Cars & Trucks	3 Row	CR716		Use CR1599	3 Row
CR162	162	'70-'88 GM Cars & Trucks	3 Row	CR717	717	'77-'82 Chevy Corvette	3 Row
CR232	232	'70-'88 GM Full Size Cars	3 Row	CR729	729	'73-'87 Chevy Pickup & Blazer	3 Row
CR369	369	'67-'72 Chevy CK Series Pickup	4 Row	CR730	730	'73-'87 Chevy Pickup & Blazer	4 Row
230459	459	'73-'85 GM Trucks & 40/50/60 Series Bus	3 Row	CR1599	716	'81-'91 GM C/K Series Pickup	3 Row
230460	460	'73-'85 GM Trucks & 40/50/60 Series Bus	3 Row	CR1655	1655	'69-'72 Corvette V8	4 Row
230461	461	'73-'85 GM Trucks & 40/50/60 Series Bus	4 Row	CR1657	1657	'55-'57 Chev Bel Air (6 cyl)	3 Row
CR478	478	'73-'76 Corvette	4 Row	CR1658	1658	'55-'57 Chev Bel Air (V8) (Grill side mount)	3 Row
230540	540	'73-'85 GM Trucks & 40/50/60 Series Bus	3 Row	CR1659	1659	'55-'57 Chev Bel Air (V8) (Engine side mnt.)	3 Row

## DODGE

PART #	DPI #	APPLICATIONS	REMARKS	PART #	DPI #	APPLICATIONS	REMARKS
230072	72	'82-'83 Dodge Pickup	3 Row	231198	1198	'80-'93 Dodge D/W Series Pickup	3 Row
CR889	889	'70-'78 Dodge Pickup	3 Row	CR1602	1602	'79-'03 Dodge Vans	3 Row
CR959	959	'79-'93 Dodge D/W Series Pickup	2 Row	CR1639	1639	'66-'69 Dodge Charger	3 Row
CR961	961	'79-'03 Dodge Vans	2 Row	CR1754	1754	'79-'93 Dodge D/W Series Pickup	3 Row
231079	1079	'89-'91 Dodge D/W Series Pickup	2 Row				

## FORD

PART #	DPI #	APPLICATIONS	REMARKS	PART #	DPI #	APPLICATIONS	REMARKS
CR130	130	'64 1/2-'66 Ford Mustang	3 Row	CR521	521	'69-'77 Ford Bronco	3 Row
CR132	132	'66-'79 Ford Pickup	4 Row	CR545	545	'76-'79 Ford Bronco	3 Row
CR138	138	'78-'93 Ford Cars	3 Row	CR556	556	'78-'93 Ford Cars	2 Row
CR390	390	'72-'79 Ford Cars	3 Row	CR558	558	'80-'84 Ford F Series & Bronco	2 Row
CR394	394	'68-'70 Ford F Series Pickup	2 Row	CR559	559	'80-'84 Ford F Series & Bronco	2 Row
CR397	397	'67-'79 Ford F Series	2 Row	CR561	561	'80-'84 Ford F Series & Bronco	3 Row
CR401	401	'73-'79 Ford/Mercury Cars	3 Row	CR970	1333	'75-'91 Ford E Series Van	3 Row
CR433	433	'66-'79 Ford Pickup	3 Row	CR1501	1501	'66-'77 Ford F Series Pickup	4 Row
CR444	444	'67-'77 Ford Trucks & Vans	3 Row	CR1502	1502	'76-'79 Ford Bronco	4 Row
CR480	480	'66-'77 Ford F Series Pickup	3 Row				

## JEEP

PART #	DPI #	APPLICATIONS	REMARKS	PART #	DPI #	APPLICATIONS	REMARKS
CR441	441	'72-'79 Jeep	3 Row	CR583	583	'73-'85 Jeep CJ	3 Row
CR581	581	'80-'87 Jeep	3 Row				

# Classic Fuel Tanks

➤ Northern offers a full line of replacement fuel tanks for classic applications!

YEAR	TANK	STRAP SET
<b>BUICK</b>		
<b>SYLARK</b>		
'70	w/o EEC, 2 vents	GT648 ST49
<b>SPECIAL</b>		
'70	Exc. S.W, w/o EEC, w/2 vents	GT648 ST49
<b>CHEVROLET</b>		
<b>BEL-AIR</b>		
'55	Square Weld	GT265 ST31
'56	Square Weld	GT265 ST31
'57	Square Weld	GT400S ST31
'61	Exc. Station Wagon	GT101 ST35
'62	Exc. Station Wagon	GT101 ST35
'63	Exc. Station Wagon	GT101 ST35
'64	Exc. Station Wagon	GT101 ST35
<b>BISCAYNE</b>		
'61	Exc. Station Wagon	GT101 ST35
'62	Exc. Station Wagon	GT101 ST35
'63	Exc. Station Wagon	GT101 ST35
'64	Exc. Station Wagon	GT101 ST35
<b>CAMARO</b>		
'67		GT601 ----
'68		GT601 ----
<b>CHEVELLE</b>		
'64	Exc. Station Wagon	GT537 ST48
'65	Exc. Station Wagon	GT537 ST48
'66	Exc. Station Wagon	GT537 ST48
'67	Exc. Station Wagon	GT537 ST48
'70	Exc. Station Wagon, w/o EEC, w/2 vents	GT648 ST49
<b>CHEVY II</b>		
'62	Exc. Station Wagon & 9 Passenger	GT461 ST90
'63	Exc. Station Wagon & 9 Passenger	GT461 ST90
'64		GT461 ST90
'65		GT461 ST90
'66		GT461 ST90
'67		GT461 ST90
<b>CORVETTE</b>		
'63		GT492 ST55
'64		GT492 ST55
'65		GT492 ST55
'66		GT492 ST55
'67		GT492 ST55
'70	V8, 350 w/ 300 & 350HP; w/EEC	GT736 ST58
	V8, 454, w/ 390HP w/EEC	GT736 ST58
	V8, 454, w/460HP w/EEC	GT736 ST58
'71	V8, 350, w/270 HP	GT736 ST58
	V8, 454, w/ 365 HP	GT736 ST58
'72	V8, 350, w/200 HP	GT736 ST58
	V8, 454	GT736 ST58
'73		GT736 ST58
'74		GT736 ST58

YEAR	TANK	STRAP SET
<b>CHEVROLET</b>		
<b>IMPALA</b>		
'61	Exc. Station Wagon	GT101 ST35
'62	Exc. Station Wagon	GT101 ST35
'63	Exc. Station Wagon	GT101 ST35
'64	Exc. Station Wagon	GT101 ST35
	Exc. Station Wagon & Pickup	GT537 ST48
<b>MALIBU</b>		
'65	Exc. Station Wagon & Pickup	GT537 ST48
'66	Exc. Station Wagon & Pickup	GT537 ST48
'67	Exc. Station Wagon & Pickup	GT537 ST48
'70	Exc. Station Wagon, w/o EEC, 2 vents	GT648 ST49
<b>MONTE CARLO</b>		
'70	w/o EEC, 2 vents	GT648 ST49
<b>NOVA</b>		
'62	Except Station Wagon & 9 Passenger	GT461 ST90
'63	Except Station Wagon & 9 Passenger	GT461 ST90
'64		GT461 ST90
'65		GT461 ST90
'66		GT461 ST90
'67		GT461 ST90
<b>DODGE</b>		
<b>CHARGER</b>		
'68	w/o EEC	GT655 ST98
'69	w/o EEC	GT655 ST98
'70	w/o EEC	GT655 ST98
<b>DART</b>		
'68	w/o EEC	GT613 ST97
'69	w/o EEC	GT613 ST97
'70	w/o EEC	GT613 ST97
<b>FORD</b>		
<b>CUSTOM</b>		
'66	Exc. Station Wagon	GT545 ----
'67	Exc. Station Wagon	GT545 ----
'68	Exc. Station Wagon	GT545 ----
	Exc. Station Wagon	GT545 ----
<b>GALAXIE</b>		
'67		GT545 ----
<b>LTD</b>		
'66		GT545 ----
'67		GT545 ----
'68		GT545 ----
<b>MUSTANG</b>		
'64	w/Drain Plug	GT500 ----
'65	w/Drain Plug	GT500 ----
'66	w/Drain Plug	GT500 ----

# Classic Fuel Tanks

➤ Northern offers a full line of replacement fuel tanks for classic applications!

YEAR	TANK	STRAP SET
<b>FORD</b>		
<b>MUSTANG (cont'd)</b>		
'67	w/Drain Plug	GT500 ----
'68	w/Drain Plug	GT500 ----
<b>THUNDERBIRD</b>		
'67	4 Dr.	GT545 ----
'68	4 Dr.	GT545 ----
'69	4 Dr.	GT545 ----
'70	4 Dr. w/o EEC	GT545 ----
<b>MERCURY</b>		
<b>COUGAR</b>		
'67	w/Drain Plug	GT500 ----
'68	w/Drain Plug	GT500 ----
<b>S55</b>		
'66		GT545 ----
'67		GT545 ----
'68		GT545 ----
<b>OLDSMOBILE</b>		
<b>442</b>		
'70	Exc. S.W., w/o EEC, 2 vents	GT648 ST49
<b>CUTLASS</b>		
'70	Exc. SW; w/o EEC, w/2 vents	GT648 ST49
	Supreme, w/o EEC, w/2 vents	GT648 ST49

YEAR	TANK	STRAP SET
<b>PLYMOUTH</b>		
<b>BARRACUDA</b>		
'68		GT613 ST97
'69		GT613 ST97
<b>VALIANT</b>		
'68	w/o EEC	GT613 ST97
'69	w/o EEC	GT613 ST97
'70	w/o EEC	GT613 ST97
<b>PONTIAC</b>		
<b>FIREBIRD</b>		
'67		GT601 ST56
'68		GT601 ST56
<b>GTO</b>		
'68		GT648 ST49
'70	w/o EEC, w/2 Vents	GT648 ST49
<b>LEMANS</b>		
'68		GT648 ST49
'70	w/o EEC, w/2 vents	GT648 ST49
<b>TEMPEST</b>		
'68	Exc. Station Wagon	GT648 ST49
'70	Exc. Station Wagon w/o EEC 2 vents	GT648 ST49
<b>TRANS AM</b>		
'67		GT601 ST56
'68		GT601 ST56



➤ The Northern Fuel Tanks represented are complete NEW replacement units for drop-in applications in these muscle and high performance vehicles.

The strap sets listed are NEW and are duplicates of the OEM gas tank straps used on these vehicles.

Didn't see your application? Go to [www.NorthernRadiator.com](http://www.NorthernRadiator.com)

# Classic Sending Units

Northern offers replacement sending units for all kinds of classic applications!

YEAR PART #

## BUICK

### ELECTRA

'73-'75	(7.5L); EXC. S.W.; W/O A/C; 2 OUTLET	SU10307
'76	(5.7L); EXC. S.W.; W/O A/C; 2 OUTLET	SU10307
	(7.5L); EXC. S.W.; W/O A/C; 2 OUTLET	SU10307

### LESABRE

'73-'74	(5.7L) EXC. S.W.; W/O A/C; 2 OUTLETS	SU10307
	(7.5L) EXC. S.W.; W/O A/C; 2 OUTLETS	SU10307
'75	(5.7L) EXC. S.W.; W/O A/C; 2 OUTLETS	SU10307
	(6.6L) EXC. S.W.; W/O A/C; 2 OUTLETS	SU10307
	(7.5L) EXC. S.W.; W/O A/C; 2 OUTLETS	SU10307
'76	(3.8L) EXC. S.W.; W/O A/C; 2 OUTLETS	SU10307
	(5.7L) EXC. S.W.; W/O A/C; 2 OUTLETS	SU10307
	(7.5L) EXC. S.W.; W/O A/C; 2 OUTLETS	SU10307

### REGAL

'73-'74	(5.7L); EXC. S.W.; W/ A/C; 3 OUTLETS (3/8")	SU10301
	(7.5L); EXC. S.W.; W/ A/C; 3 OUTLETS (3/8")	SU10301
'75-'76	(3.8L); EXC. S.W.; W/ A/C; 3 OUTLETS (3/8")	SU10301
	(5.7L); EXC. S.W.; W/ A/C; 3 OUTLETS (3/8")	SU10301
'77	(3.8L); EXC. S.W.; W/ A/C; 3 OUTLETS (3/8")	SU10301
	(5.0L); EXC. S.W.; W/ A/C; 3 OUTLETS (3/8")	SU10301
	(5.7L); EXC. S.W.; W/ A/C; 3 OUTLETS (3/8")	SU10301

### RIVIERA

'71-'72	(7.5L); W/O A/C; 3 OUTLETS	SU10307
'73-'76	(7.5L); W/O A/C; 3 OUTLETS	SU10307

### SKYLARK

'64	(3.7L); EXC. S.W.; 3/8" OUTLET	SU10271
	(3.7L); EXC. S.W.; 5/16" OUTLET	SU10270
	(4.9L); EXC. S.W.; 3/8" OUTLET	SU10271
	(4.9L); EXC. S.W.; 5/16" OUTLET	SU10270
	(3.7L); EXC. S.W.; 3/8" OUTLET	SU10271
	(3.7L); EXC. S.W.; 5/16" OUTLET	SU10270
'65	(3.7L); EXC. S.W.; 3/8" OUTLET	SU10271
	(3.7L); EXC. S.W.; 5/16" OUTLET	SU10270
	(4.9L); EXC. S.W.; 3/8" OUTLET	SU10271
	(4.9L); EXC. S.W.; 5/16" OUTLET	SU10270
	(6.6L); EXC. S.W.; 3/8" OUTLET	SU10271
	(6.6L); EXC. S.W.; 5/16" OUTLET	SU10270
'66-'67	(3.7L); EXC. S.W.; 3/8" OUTLET	SU10271
	(3.7L); EXC. S.W.; 5/16" OUTLET	SU10270
	(4.9L); EXC. S.W.; 3/8" OUTLET	SU10271
	(4.9L); EXC. S.W.; 5/16" OUTLET	SU10270
	(5.6L); EXC. S.W.; 3/8" OUTLET	SU10271
	(5.6L); EXC. S.W.; 5/16" OUTLET	SU10270
	(6.6L); EXC. S.W.; 3/8" OUTLET	SU10271
	(6.6L); EXC. S.W.; 5/16" OUTLET	SU10270

YEAR PART #

## BUICK

### SPECIAL

'64-'67	(3.7L); EXC. S.W.; 3/8" OUTLET	SU10271
	(3.7L); EXC. S.W.; 5/16" OUTLET	SU10270
	(4.9L); EXC. S.W.; 3/8" OUTLET	SU10271
	(4.9L); EXC. S.W.; 5/16" OUTLET	SU10270

## CHEVROLET

### BEL AIR (INCLUDES NOMAD)

'55	(3.9L); EXC. S.W.; 3/8" OUTLET	SU10261
	(3.9L); EXC. S.W.; 5/16" OUTLET	SU10260
	(4.3L); EXC. S.W.; 3/8" OUTLET	SU10261
	(4.3L); EXC. S.W.; 5/16" OUTLET	SU10260
'56	(3.9L); EXC. S.W.; 3/8" OUTLET	SU10261
	(3.9L); EXC. S.W.; 5/16" OUTLET	SU10260
	(4.3L); EXC. S.W.; 3/8" OUTLET	SU10261
	(4.3L); EXC. S.W.; 5/16" OUTLET	SU10260
'57	(3.9L); EXC. S.W.; 3/8" OUTLET	SU10261
	(3.9L); EXC. S.W.; 5/16" OUTLET	SU10260
	(4.3L); EXC. S.W.; 3/8" OUTLET	SU10261
	(4.3L); EXC. S.W.; 5/16" OUTLET	SU10260
	(4.6L); EXC. S.W.; 3/8" OUTLET	SU10261
	(4.6L); EXC. S.W.; 5/16" OUTLET	SU10260
'73	(4.1L); EXC. S.W.; W/O A/C; 2 OUTLETS	SU10307
	(5.7L); EXC. S.W.; W/O A/C; 2 OUTLETS	SU10307
	(6.6L); EXC. S.W.; W/O A/C; 2 OUTLETS	SU10307
	(7.4L); EXC. S.W.; W/O A/C; 2 OUTLETS	SU10307
'74-'75	(5.7L); EXC. S.W.; W/O A/C; 2 OUTLETS	SU10307
	(6.6L); EXC. S.W.; W/O A/C; 2 OUTLETS	SU10307
	(7.4L); EXC. S.W.; W/O A/C; 2 OUTLETS	SU10307

### CAPRICE

'73-'76	(5.7L); EXC. S.W.; W/O A/C; 2 OUTLETS	SU10307
	(6.6L); EXC. S.W.; W/O A/C; 2 OUTLETS	SU10307
	(7.4L); EXC. S.W.; W/O A/C; 2 OUTLETS	SU10307

### CHEVELLE

'64-'65	L6-194 (3.2L); EXC. S.W.; 3/8" OUTLET	SU10271
	L6-194 (3.2L); EXC. S.W.; 5/16" OUTLET	SU10270
	L6-230 (3.8L); EXC. S.W.; 3/8" OUTLET	SU10271
	L6-230 (3.8L); EXC. S.W.; 5/16" OUTLET	SU10270
	V8-283 (4.6L); EXC. S.W.; 3/8" OUTLET	SU10271
	V8-283 (4.6L); EXC. S.W.; 5/16" OUTLET	SU10270
	V8-327 (5.4L); EXC. S.W.; 3/8" OUTLET	SU10271
	V8-327 (5.4L); EXC. S.W.; 5/16" OUTLET	SU10270
'66	L6-194 (3.2L); EXC. S.W.; 3/8" OUTLET	SU10271
	L6-194 (3.2L); EXC. S.W.; 5/16" OUTLET	SU10270
	L6-230 (3.8L); EXC. S.W.; 3/8" OUTLET	SU10271

# Classic Sending Units

▶ Northern offers replacement sending units for all kinds of classic applications!

YEAR

PART #

## CHEVROLET

### CHEVELLE (CONT'D)

'66	L6-230 (3.8L); EXC. S.W.; 5/16" OUTLET	SU10270
	V8-283 (4.6L); EXC. S.W.; 3/8" OUTLET	SU10271
	V8-283 (4.6L); EXC. S.W.; 5/16" OUTLET	SU10270
	V8-327 (5.4L); EXC. S.W.; 3/8" OUTLET	SU10271
	V8-327 (5.4L); EXC. S.W.; 5/16" OUTLET	SU10270
	V8-396 (6.5L); EXC. S.W.; 3/8" OUTLET	SU10271
	V8-396 (6.5L); EXC. S.W.; 5/16" OUTLET	SU10270
	'67	L6-230 (3.8L); EXC. S.W.; 3/8" OUTLET
L6-230 (3.8L); EXC. S.W.; 5/16" OUTLET		SU10270
L6-250 (4.1L); EXC. S.W.; 3/8" OUTLET		SU10271
L6-250 (4.1L); EXC. S.W.; 5/16" OUTLET		SU10270
V8-283 (4.6L); EXC. S.W.; 3/8" OUTLET		SU10271
V8-283 (4.6L); EXC. S.W.; 5/16" OUTLET		SU10270
V8-327 (5.4L); EXC. S.W.; 3/8" OUTLET		SU10271
V8-327 (5.4L); EXC. S.W.; 5/16" OUTLET		SU10270
V8-396 (6.5L); EXC. S.W.; 3/8" OUTLET		SU10271
V8-396 (6.5L); EXC. S.W.; 5/16" OUTLET		SU10270
'73	L6-250 (4.1L); EXC. S.W.; 3 OUTLETS 3/8"	SU10301
	V8-307 (5.0L); EXC. S.W.; 3 OUTLETS 3/8"	SU10301
	V8-350 (5.7L); EXC. S.W.; 3 OUTLETS 3/8"	SU10301
	V8-454 (7.4L); EXC. S.W.; 3 OUTLETS 3/8"	SU10301

### CORVETTE

'68	V8-327 (5.4L); 3/8" OUTLET	SU10292
	V8-427 (7.0L); 3/8" OUTLET	SU10292
'69	V8-350 (5.7L); 3/8" OUTLET	SU10292
	V8-427 (7.0L); 3/8" OUTLET	SU10292
'70-'74	V8-350 (5.7L); 3/8" OUTLET	SU10292
	V8-454 (7.4L); 3/8" OUTLET	SU10292

### EL CAMINO

'64-'65	L6-194 (3.2L) 3/8" OUTLET	SU10271	
	L6-194 (3.2L) 5/16" OUTLET	SU10270	
	L6-230 (3.8L) 3/8" OUTLET	SU10271	
	L6-230 (3.8L) 5/16" OUTLET	SU10270	
	V8-283 (4.6L) 3/8" OUTLET	SU10271	
	V8-283 (4.6L) 5/16" OUTLET	SU10270	
	V8-327 (5.4L) 3/8" OUTLET	SU10271	
	V8-327 (5.4L) 5/16" OUTLET	SU10270	
	'66	L6-230 (3.8L) 3/8" OUTLET	SU10271
		L6-230 (3.8L) 5/16" OUTLET	SU10270
V8-283 (4.6L) 3/8" OUTLET		SU10271	
V8-283 (4.6L) 5/16" OUTLET		SU10270	
V8-327 (5.4L), 3/8" OUTLET		SU10271	

YEAR

PART #

## CHEVROLET

### EL CAMINO (CONT'D)

'66	V8-327 (5.4L), 5/16" OUTLET	SU10270
	V8-396 (6.5L), 3/8" OUTLET	SU10271
	V8-396 (6.5L), 5/16" OUTLET	SU10270
'67	L6-230 (3.8L) 3/8" OUTLET	SU10271
	L6-230 (3.8L) 5/16" OUTLET	SU10270
	L6-250 (4.1L) 3/8" OUTLET	SU10271
	L6-250 (4.1L) 5/16" OUTLET	SU10270
	V8-327 (5.4L) 3/8" OUTLET	SU10271
	V8-327 (5.4L) 5/16" OUTLET	SU10270
	V8-396 (6.5L) 3/8" OUTLET	SU10271
	V8-396 (6.5L) 5/16" OUTLET	SU10270

### IMPALA

'73	L6-250 (4.1L); EXC. S.W.; W/O A/C: 2 OUTLETS	SU10307
	V8-350 (5.7L); EXC. S.W.; W/O A/C: 2 OUTLETS	SU10307
	V8-400 (6.6L); EXC. S.W.; W/O A/C: 2 OUTLETS	SU10307
	V8-454 (7.4L); EXC. S.W.; W/O A/C: 2 OUTLETS	SU10307
'74-'76	V8-350 (5.7L); EXC. S.W.; W/O A/C: 2 OUTLETS	SU10307
	V8-400 (6.6L); EXC. S.W.; W/O A/C: 2 OUTLETS	SU10307
	V8-454 (7.4L); EXC. S.W.; W/O A/C: 2 OUTLETS	SU10307

### MALIBU

'64	L6-194 (3.2L); EXC. S.W.; 3/8" OUTLET	SU10271	
	L6-230 (3.8L); EXC. S.W.; 3/8" OUTLET	SU10271	
	V8-283 (4.6L); EXC. S.W.; 3/8" OUTLET	SU10271	
	V8-327 (5.4L); EXC. S.W.; 3/8" OUTLET	SU10271	
	ALL ENGINES, EXC. S.W.; 5/16" OUTLET	SU10270	
	'65	L6-194 (3.2L); EXC. S.W.; 3/8" OUTLET	SU10271
L6-230 (3.8L); EXC. S.W.; 3/8" OUTLET		SU10271	
V8-283 (4.6L); EXC. S.W.; 3/8" OUTLET		SU10271	
V8-327 (5.4L); EXC. S.W.; 3/8" OUTLET		SU10271	
ALL ENGINES, EXC. S.W.; 5/16" OUTLET		SU10270	
'66	L6-194 (3.2L); EXC. S.W.; 3/8" OUTLET	SU10271	
	L6-230 (3.8L); EXC. S.W.; 3/8" OUTLET	SU10271	
	V8-283 (4.6L); EXC. S.W.; 3/8" OUTLET	SU10271	
	V8-327 (5.4L); EXC. S.W.; 3/8" OUTLET	SU10271	
	V8-396 (6.5L); EXC. S.W.; 3/8" OUTLET	SU10271	
	ALL ENGINES, EXC. S.W.; 5/16" OUTLET	SU10270	
	'67	L6-230 (3.8L); EXC. S.W.; 3/8" OUTLET	SU10271
		L6-250 (4.1L); EXC. S.W.; 3/8" OUTLET	SU10271
		V8-283 (4.6L); EXC. S.W.; 3/8" OUTLET	SU10271
		V8-327 (5.4L); EXC. S.W.; 3/8" OUTLET	SU10271
V8-396 (6.5L); EXC. S.W.; 3/8" OUTLET		SU10271	
ALL ENGINES, EXC. S.W.; 5/16" OUTLET		SU10270	

# Classic Sending Units

☞ Northern offers replacement sending units for all kinds of classic applications!

YEAR PART #

## CHEVROLET

### MONTE CARLO

'73-'77 ALL ENGINES, EXC. S.W.; 3 OUTLETS (3/8") SU10301

## DODGE

### CHALLENGER

'70-'71 L6-198 (3.2L); 3/8" OUTLET SU10244  
 L6-198 (3.2L); 5/16" OUTLET SU10243  
 L6-225 (3.7L); 3/8" OUTLET SU10244  
 L6-225 (3.7L); 5/16" OUTLET SU10243  
 V8-318 (5.2L); 3/8" OUTLET SU10244  
 L6-225 (3.7L); 5/16" OUTLET SU10243  
 V8-340 (5.6L); 3/8" OUTLET SU10244  
 V8-340 (5.6L); 5/16" OUTLET SU10243  
 V8-383 (6.3L); 3/8" OUTLET SU10244  
 V8-383 (6.3L); 5/16" OUTLET SU10243  
 V8-426 (7.0L); 3/8" OUTLET SU10244  
 V8-426 (7.0L); 5/16" OUTLET SU10243  
 V8-440 (7.2L); 3/8" OUTLET SU10244  
 V8-440 (7.2L); 5/16" OUTLET SU10243

'72 L6-225 (3.7L); 3/8" OUTLET SU10244  
 L6-225 (3.7L); 5/16" OUTLET SU10243  
 V8-318 (5.2L); 3/8" OUTLET SU10244  
 V8-318 (5.2L); 5/16" OUTLET SU10243  
 V8-340 (5.6L); 3/8" OUTLET SU10244  
 V8-340 (5.6L); 5/16" OUTLET SU10243

'73 V8-318 (5.2L); 3/8" OUTLET SU10244  
 V8-318 (5.2L); 5/16" OUTLET SU10243  
 V8-340 (5.6L); 3/8" OUTLET SU10244  
 V8-340 (5.6L); 5/16" OUTLET SU10243

'74 V8-318 (5.2L); 3/8" OUTLET SU10244  
 V8-318 (5.2L); 5/16" OUTLET SU10243  
 V8-360 (5.9L); 3/8" OUTLET SU10244  
 V8-360 (5.9L); 5/16" OUTLET SU10243

### CHARGER

'67 V8-318 (5.2L); 3/8" OUTLET SU10244  
 V8-318 (5.2L); 5/16" OUTLET SU10243  
 V8-383 (6.3L); 3/8" OUTLET SU10244  
 V8-383 (6.3L); 5/16" OUTLET SU10243  
 V8-426 (7.0L); 3/8" OUTLET SU10244  
 V8-426 (7.0L); 5/16" OUTLET SU10243  
 V8-440 (7.2L); 3/8" OUTLET SU10244  
 V8-440 (7.2L); 5/16" OUTLET SU10243

'72 L6-225 (3.7L); 3/8" OUTLET SU10281

YEAR PART #

## CHEVROLET

### CHARGER (Cont'd)

'72 L6-225 (3.7L); 5/16" OUTLET; TO 4/72 SU10283  
 V8-318 (5.2L); 3/8" OUTLET SU10281  
 V8-318 (5.2L); 5/16" OUTLET; TO 4/72 SU10283  
 V8-340 (5.6L); 3/8" OUTLET SU10281  
 V8-340 (5.6L); 5/16" OUTLET; TO 4/72 SU10283  
 V8-400 (6.6L); 3/8" OUTLET SU10281  
 V8-400 (6.6L); 5/16" OUTLET; TO 4/72 SU10283  
 V8-440 (7.2L); 3/8" OUTLET SU10281  
 V8-440 (7.2L); 5/16" OUTLET; TO 4/72 SU10283

'73 L6-225 (3.7L); 3/8" OUTLET SU10281  
 V8-318 (5.2L); 3/8" OUTLET SU10281  
 V8-318 (5.2L); 5/16" OUTLET SU10283  
 V8-340 (5.6L); 3/8" OUTLET SU10281  
 V8-340 (5.6L); 5/16" OUTLET SU10283  
 V8-400 (6.6L); 3/8" OUTLET SU10281  
 V8-400 (6.6L); 5/16" OUTLET SU10283  
 V8-440 (7.2L); 3/8" OUTLET SU10281  
 V8-440 (7.2L); 5/16" OUTLET SU10283

## FORD

### MUSTANG

'64 L6-170 (2.8L); w/o LOW FUEL LIGHT SU10264  
 L6-200 (3.3L); w/o LOW FUEL LIGHT SU10264  
 V8-260 (4.3L); w/o LOW FUEL LIGHT SU10264  
 V8-289 (4.7L); w/o LOW FUEL LIGHT SU10264

'65 L6-170 (2.8L); w/o LOW FUEL LIGHT SU10264  
 L6-200 (3.3L); w/o LOW FUEL LIGHT SU10264  
 V8-289 (4.7L); w/o LOW FUEL LIGHT SU10264

'66 L6-200 (3.3L); w/o LOW FUEL LIGHT SU10264  
 V8-289 (4.7L); w/o LOW FUEL LIGHT SU10264

'67 L6-200 (3.3L); w/o LOW FUEL LIGHT SU10264  
 V8-289 (4.7L); w/o LOW FUEL LIGHT SU10264  
 V8-390 (6.4L); w/o LOW FUEL LIGHT SU10264

'68 L6-200 (3.3L); w/o LOW FUEL LIGHT SU10264  
 V8-289 (4.7L); w/o LOW FUEL LIGHT SU10264  
 V8-302 (5.0L); w/o LOW FUEL LIGHT SU10264  
 V8-390 (6.4L); w/o LOW FUEL LIGHT SU10264  
 V8-427 (7.0L); w/o LOW FUEL LIGHT SU10264  
 V8-428 (7.0L); w/o LOW FUEL LIGHT SU10264

# Classic Sending Units

☞ Northern offers replacement sending units for all kinds of classic applications!

YEAR

PART #

## MERCURY

### COUGAR

'67	V8-289 (4.7L)	SU10264
	V8-390 (6.4L)	SU10264
'68	V8-289 (4.7L)	SU10264
	V8-302 (5.0L)	SU10264
	V8-390 (6.4L)	SU10264
	V8-427 (7.0L)	SU10264
	V8-428 (7.0L)	SU10264

## OLDSMOBILE

### 442

'66-'67	V8-400 (6.6L); 3/8" OUTLET	SU10271
	V8-400 (6.6L); 5/16" OUTLET	SU10270

### CUTLASS (INCLUDES SUPREME)

'64	V8-330 (5.4L); EXC. S.W.; 3/8" OUTLET	SU10271
	V8-330 (5.4L); EXC. S.W.; 5/16" OUTLET	SU10270
'65-'67	V8-330 (5.4L); EXC. S.W.; 3/8" OUTLET	SU10271
	V8-330 (5.4L); EXC. S.W.; 5/16" OUTLET	SU10270
	V8-400 (6.6L); EXC. S.W.; 3/8" OUTLET	SU10271
	V8-400 (6.6L); EXC. S.W.; 5/16" OUTLET	SU10270
'73-'74	V8-350 (5.7L); EXC. S.W.; W/ A/C; 3 OUTLETS (3/8")	SU10301
	V8-455 (7.5L); EXC. S.W.; W/ A/C; 3 OUTLETS (3/8")	SU10301
'75-'76	L6-250 (4.1L); EXC. S.W.; W/ A/C; 3 OUTLETS (3/8")	SU10301
	V8-260 (4.3L); EXC. S.W.; W/ A/C; 3 OUTLETS (3/8")	SU10301
	V8-350 (5.7L); EXC. S.W.; W/ A/C; 3 OUTLETS (3/8")	SU10301
	V8-455 (7.5L); EXC. S.W.; W/ A/C; 3 OUTLETS (3/8")	SU10301
'77	V6-231 (3.8L); EXC. S.W.; W/ A/C; 3 OUTLETS (3/8")	SU10301
	V8-260 (4.3L); EXC. S.W.; W/ A/C; 3 OUTLETS (3/8")	SU10301
	V8-350 (5.7L); EXC. S.W.; W/ A/C; 3 OUTLETS (3/8")	SU10301
	V8-403 (6.6L); EXC. S.W.; W/ A/C; 3 OUTLETS (3/8")	SU10301

### DELTA 88

'73-'76	V8-455 (7.5L); EXC. S.W.; W/O A/C; 2 OUTLETS	SU10307
---------	--	---------

### TORONADO

'73-'76	V8-455 (7.5L); W/ A/C; 3 OUTLETS	SU10308
	W/O A/C; 2 OUTLETS	SU10307

## PLYMOUTH

### BARRACUDA

'70-'71	L6-198 (3.2L); 3/8" OUTLET	SU10244
	L6-198 (3.2L); 5/16" OUTLET	SU10243
	L6-225 (3.7L); 3/8" OUTLET	SU10244
	L6-225 (3.7L); 5/16" OUTLET	SU10243
	V8-318 (5.2L); 3/8" OUTLET	SU10244

YEAR

PART #

## PLYMOUTH

### BARRACUDA (CONT'D)

'70-'71	V8-318 (5.2L); 5/16" OUTLET	SU10243
	V8-383 (6.3L); 3/8" OUTLET	SU10244
	V8-383 (6.3L); 5/16" OUTLET	SU10243
	V8-426 (7.0L); 3/8" OUTLET	SU10244
	V8-426 (7.0L); 5/16" OUTLET	SU10243
	V8-440 (7.2L); 3/8" OUTLET	SU10244
	V8-440 (7.2L); 5/16" OUTLET	SU10243
	'72	L6-225 (3.7L); 3/8" OUTLET
L6-225 (3.7L); 5/16" OUTLET		SU10243
V8-318 (5.2L); 3/8" OUTLET		SU10244
V8-318 (5.2L); 5/16" OUTLET		SU10243
	V8-340 (5.6L); 3/8" OUTLET	SU10244
	V8-340 (5.6L); 5/16" OUTLET	SU10243
	'73	V8-318 (5.2L); 3/8" OUTLET
V8-318 (5.2L); 5/16" OUTLET		SU10243
V8-340 (5.6L); 3/8" OUTLET		SU10244
V8-340 (5.6L); 5/16" OUTLET		SU10243
'74	V8-318 (5.2L); 3/8" OUTLET	SU10244
	V8-318 (5.2L); 5/16" OUTLET	SU10243
	V8-360 (5.9L); 3/8" OUTLET	SU10244
	V8-360 (5.9L); 5/16" OUTLET	SU10243

## PONTIAC

### BONNEVILLE

'73-'76	V8-400 (6.6L); EXC. S.W.; W/O A/C; 2 OUTLETS	SU10307
	V8-455 (7.5L); EXC. S.W.; W/O A/C; 2 OUTLETS	SU10307

### CATALINA

'73	V8-350 (5.7L); EXC. S.W.; W/O A/C; 2 OUTLETS	SU10307
	V8-400 (6.6L); EXC. S.W.; W/O A/C; 2 OUTLETS	SU10307
	V8-455 (7.5L); EXC. S.W.; W/O A/C; 2 OUTLETS	SU10307
'74-'75	V8-400 (6.6L); EXC. S.W.; W/O A/C; 2 OUTLETS	SU10307
	V8-455 (7.5L); EXC. S.W.; W/O A/C; 2 OUTLETS	SU10307
'76	V8-350 (5.7L); EXC. S.W.; W/O A/C; 2 OUTLETS	SU10307
	V8-400 (6.6L); EXC. S.W.; W/O A/C; 2 OUTLETS	SU10307
	V8-455 (7.5L); EXC. S.W.; W/O A/C; 2 OUTLETS	SU10307

### GRAND AM

'73	V8-350 (5.7L); W/ A/C; 3 OUTLETS (3/8")	SU10301
	V8-400 (6.6L); W/ A/C; 3 OUTLETS (3/8")	SU10301
	V8-455 (7.5L); W/ A/C; 3 OUTLETS (3/8")	SU10301
'74	V8-400 (6.6L); W/ A/C; 3 OUTLETS (3/8")	SU10301
	V8-455 (7.5L); W/ A/C; 3 OUTLETS (3/8")	SU10301
'75	V8-350 (5.7L); W/ A/C; 3 OUTLETS (3/8")	SU10301
	V8-400 (6.6L); W/ A/C; 3 OUTLETS (3/8")	SU10301

CLASSIC

# Classic Sending Units

▶ Northern offers replacement sending units for all kinds of classic applications!

YEAR		PART #
<b>PONTIAC</b>		
<b>GRAND AM (CONT'D)</b>		
'75	V8-455 (7.5L); W/ A/C; 3 OUTLETS (3/8")	SU10301
<b>GRAND PRIX</b>		
'76	V8-350 (5.7L); W/ A/C; 3 OUTLETS (3/8")	SU10301
	V8-400 (5.7L); W/ A/C; 3 OUTLETS (3/8")	SU10301
	V8-455 (7.5L); W/ A/C; 3 OUTLETS (3/8")	SU10301
'77	V8-301 (4.9L); W/ A/C; 3 OUTLETS (3/8")	SU10301
	V8-350 (5.7L); W/ A/C; 3 OUTLETS (3/8")	SU10301
	V8-400 (6.6L); W/ A/C; 3 OUTLETS (3/8")	SU10301
	V8-403 (6.6L); W/ A/C; 3 OUTLETS (3/8")	SU10301
<b>GTO</b>		
'64	L6-215 (3.5L); 3/8" OUTLET	SU10271
	L6-215 (3.5L); 5/16" OUTLET	SU10270
	V8-326 (5.3L); 3/8" OUTLET	SU10271
	V8-389 (6.4L); 3/8" OUTLET	SU10271
	V8-389 (6.4L); 5/16" OUTLET	SU10270
'65-'66	V8-326 (5.3L); 3/8" OUTLET	SU10271
	V8-326 (5.3L); 5/16" OUTLET	SU10270
	V8-389 (6.4L); 3/8" OUTLET	SU10271
	V8-389 (6.4L); 5/16" OUTLET	SU10270
'67	V8-400 (6.6L); 3/8" OUTLET	SU10271
	V8-400 (6.6L); 5/16" OUTLET	SU10270
<b>LEMANS (INCLUDES GRAND LEMANS)</b>		
'64-'65	L6-215 (3.5L); EXC. S.W.; 3/8" OUTLET	SU10271
	L6-215 (3.5L); EXC. S.W.; 5/16" OUTLET	SU10270
	V8-326 (5.3L); EXC. S.W.; 3/8" OUTLET	SU10271
	V8-326 (5.3L); EXC. S.W.; 5/16" OUTLET	SU10270
	V8-389 (6.4L); EXC. S.W.; 3/8" OUTLET	SU10271
	V8-389 (6.4L); EXC. S.W.; 5/16" OUTLET	SU10270
'66	L6-230 (3.8L); EXC. S.W.; 3/8" OUTLET	SU10271
	L6-230 (3.8L); EXC. S.W.; 5/16" OUTLET	SU10270
	V8-326 (5.3L); EXC. S.W.; 3/8" OUTLET	SU10271
	V8-326 (5.3L); EXC. S.W.; 5/16" OUTLET	SU10270
'73	L6-250 (4.1L); EXC. S.W.; W/ A/C; 3 OUTLETS (3/8")	SU10301
	V8-350 (5.7L); EXC. S.W.; W/ A/C; 3 OUTLETS (3/8")	SU10301
	V8-400 (6.6L); EXC. S.W.; W/ A/C; 3 OUTLETS (3/8")	SU10301
	V8-455 (7.5L); EXC. S.W.; W/ A/C; 3 OUTLETS (3/8")	SU10301
'75	L6-250 (4.1L); EXC. S.W.; W/ A/C; 3 OUTLETS (3/8")	SU10301
	V8-350 (5.7L); EXC. S.W.; W/ A/C; 3 OUTLETS (3/8")	SU10301
	V8-400 (6.6L); EXC. S.W.; W/ A/C; 3 OUTLETS (3/8")	SU10301
	V8-455 (7.5L); EXC. S.W.; W/ A/C; 3 OUTLETS (3/8")	SU10301
'76	L6-250 (4.1L); EXC. S.W.; W/ A/C; 3 OUTLETS (3/8")	SU10301
	V8-260 (4.3L); EXC. S.W.; W/ A/C; 3 OUTLETS (3/8")	SU10301
	V8-305 (5.0L); EXC. S.W.; W/ A/C; 3 OUTLETS (3/8")	SU10301
	V8-350 (5.7L); EXC. S.W.; W/ A/C; 3 OUTLETS (3/8")	SU10301

YEAR		PART #
<b>PONTIAC</b>		
<b>LEMANS (INCLUDES GRAND LEMANS) (CONT'D)</b>		
'76	V8-400 (6.6L); EXC. S.W.; W/ A/C; 3 OUTLETS (3/8")	SU10301
	V8-455 (7.5L); EXC. S.W.; W/ A/C; 3 OUTLETS (3/8")	SU10301
'77	V6-231 (3.8L); EXC. S.W.; W/ A/C; 3 OUTLETS (3/8")	SU10301
	L6-250 (4.1L); EXC. S.W.; W/ A/C; 3 OUTLETS (3/8")	SU10301
	V8-301 (4.9L); EXC. S.W.; W/ A/C; 3 OUTLETS (3/8")	SU10301
	V8-305 (5.0L); EXC. S.W.; W/ A/C; 3 OUTLETS (3/8")	SU10301
	V8-350 (5.7L); EXC. S.W.; W/ A/C; 3 OUTLETS (3/8")	SU10301
	V8-400 (6.6L); EXC. S.W.; W/ A/C; 3 OUTLETS (3/8")	SU10301
	V8-403 (6.6L); EXC. S.W.; W/ A/C; 3 OUTLETS (3/8")	SU10301
<b>TEMPEST</b>		
'64	L6-215 (3.5L); EXC. S.W.; 3/8" OUTLET	SU10271
	L6-215 (3.5L); EXC. S.W.; 5/16" OUTLET	SU10270
	V8-326 (5.3L); EXC. S.W.; 3/8" OUTLET	SU10271
	V8-326 (5.3L); EXC. S.W.; 5/16" OUTLET	SU10270
	V8-389 (6.4L); EXC. S.W.; 3/8" OUTLET	SU10271
	V8-389 (6.4L); EXC. S.W.; 5/16" OUTLET	SU10270
'65	L6-215 (3.5L); EXC. S.W.; 3/8" OUTLET	SU10271
	L6-215 (3.5L); EXC. S.W.; 5/16" OUTLET	SU10270
	V8-326 (5.3L); EXC. S.W.; 3/8" OUTLET	SU10271
	V8-326 (5.3L); EXC. S.W.; 5/16" OUTLET	SU10270
'66-'67	L6-230 (3.8L); EXC. S.W.; 3/8" OUTLET	SU10271
	L6-230 (3.8L); EXC. S.W.; 5/16" OUTLET	SU10270
	V8-326 (5.3L); EXC. S.W.; 3/8" OUTLET	SU10271
	V8-326 (5.3L); EXC. S.W.; 5/16" OUTLET	SU10270



▶ Didn't see your application? Go to [www.NorthernRadiator.com](http://www.NorthernRadiator.com)

# Classic Heater Cores

▶ Northern offers a full line of replacement heater cores for classic applications!

YR	MODEL	REMARKS	PART #	
<b>CHEVROLET</b>				
			STD	A/C
1972	Bel Air		398219	398219
	Biscayne		398219	398219
	Camaro		398228	399072
	Chevelle		398229	398226
	Monte Carlo		398229	398226
	Nova		398228	398222
1971	Bel Air		398219	398219
	Biscayne		398219	398219
	Camaro		398228	399072
	Chevelle		398229	398226
	Monte Carlo		398229	398226
	Nova		398228	398222
1970	Bel Air		398218	398226
	Biscayne		398218	398226
	Camaro		398228	399072
	Chevelle		398229	398226
	Monte Carlo		398229	398226
	Nova		398228	398222
1969	Bel Air		398218	398226
	Biscayne		398218	398226
	Camaro	Exc. 396 V-8 396 V-8 Only	398228 398223	398222 ----
	Chevelle		398229	398226
	Nova		398228	398222
1968	Bel Air		399040	399061
	Biscayne		399040	399061
	Camaro	Exc. 396 V-8 396 V-8 Only	399063 399055	399054 ----
	Caprice, Impala		399040	399061
	Chevelle		398229	399061
	Chevy II		398228	399054
1967	Bel Air		399040	399061
	Biscayne		399040	399061
	Camaro	Exc. 396 V-8 396 V-8 Only	399086 399055	399054 ----
	Impala		399040	399061
	Chevelle		399040	399047
	Chevy II		399058	399058
1966	Bel Air		399040	399061
	Biscayne		399040	399061
	Impala		399040	399061
	Chevelle		399040	399047
	Chevy II		399058	399058
1965	Bel Air		399040	399061
	Biscayne		399040	399061

YR	MODEL	REMARKS	PART #	
<b>CHEVROLET (CONT'D)</b>				
			STD	A/C
1965	Impala		399040	399061
	Chevelle		399040	399047
	Chevy II		399058	399058
1964	Bel Air		399040	399047
	Biscayne		399040	399047
	Chevelle		399040	399058
	Chevy II		399058	399058
	Impala		399040	399047
1963	Bel Air		399040	399047
	Biscayne		399040	399047
	Chevy II		399058	399058
	Impala		399045	399045
1962	Bel Air		399053	399053
	Biscayne		399053	399053
	Chevy II		399058	399058
	Impala		399053	399053
1957	Bel Air	*Mounting plate is HR2058	HR2057	HR2057
1956	Bel Air	*Mounting plate is HR2056	HR2055	HR2055
1955	Bel Air	*Mounting plate is HR2056	HR2055	HR2055
<b>CORVETTE</b>				
			STD	A/C
1972	Corvette		399082	399081
1971	Corvette		399082	399081
1970	Corvette		399082	399081
1969	Corvette		399082	399081
1968	Corvette		399082	399081
1967	Corvette		398207	398212
1966	Corvette		398207	398212
1965	Corvette		398207	398212
1964	Corvette		398207	398212
1963	Corvette		398207	398212
<b>CHEVY PICKUP</b>				
			STD	A/C
1972	C/K Blazer, Jimmy		399067	399090
	C/K Series Pickup		399067	399090
	El Camino		398229	398226
1971	C/K Blazer, Jimmy		399067	399090
	C/K Series Pickup		399067	399090
	El Camino		398229	398226
1970	C/K Blazer, Jimmy		399067	399090
	C/K Series Pickup		399067	399090
	El Camino		398229	398226
1969	C/K Blazer, Jimmy		399067	399090
	C/K Series Pickup		399067	399090
	El Camino		398229	398226

# Classic Heater Cores

➤ Northern offers a full line of replacement heater cores for classic applications!

YR	MODEL	REMARKS	PART #	
<b>CHEVY PICKUP (CONT'D)</b>				
			STD	A/C
1968	C/K Series Pickup		399067	399090
	El Camino		398229	399061
1967	C/K Series Pickup		399067	399090
	El Camino		399040	399040
1966	10-30 Series	w/ Outside AC	398224	398224
	El Camino		399040	399040
1965	10-30 Series	w/ Outside AC	398224	398224
	El Camino		399040	399040
1964	10-30 Series	w/ Outside AC	398224	398224
	El Camino		399040	399040
<b>DODGE</b>				
			STD	A/C
1972	Challenger		399109	399112
	Charger, Coronet		394152	399112
	Dart		399105	399105
1971	Challenger		399109	399112
	Charger, Coronet		399101	399112
	Dart		399105	399105
1970	Challenger		399109	399112
	Charger, Coronet		399103	----
	Dart		399105	399105
1969	Charger, Coronet		399101	----
	Dart		399104	399104
1968	Charger, Coronet		399101	----
	Dart		399104	399104
1967	Charger, Coronet		399101	----
	Dart		399104	399104
1966	Charger, Coronet		399101	----
	Dart		399104	399104
1965	Dart		399104	399104
<b>DODGE TRUCK</b>				
			STD	A/C
1972	D/W Pickup		399124	399125
1971	Pickup		399139	----
1969	Pickup		399139	----
1968	Pickup		399139	----
1967	Pickup		399139	----
1966	Pickup		399139	----
1965	Pickup		399139	----
1964	Pickup		399139	----
1963	Pickup		399139	----
<b>FORD</b>				
			STD	A/C
1972	Custom		399031	399031
	Galaxie		399031	399031

YR	MODEL	REMARKS	PART #	
<b>FORD (CONT'D)</b>				
			STD	A/C
1972	Maverick		399033	399032
	Mustang		399023	399032
	Pinto		399037	399032
	Thunderbird		399016	399016
	Torino, Gran Torino		399023	----
1971	Custom		399031	399031
	Galaxie		399031	399031
	Maverick		399033	399032
	Mustang		399023	399032
	Pinto		399037	399032
	Thunderbird		399036	399036
	Torino, Gran Torino		399023	399035
1970	Custom		399031	399031
	Fairlane		399023	394155
	Falcon		399023	394155
	Galaxie		399031	399031
	Maverick		399033	399032
	Mustang		399033	399032
	Thunderbird		399036	399036
	Torino, Gran Torino		399023	394155
1969	Custom		399031	399031
	Fairlane		399023	394155
	Falcon		399023	394155
	Galaxie		399031	399031
	Mustang		399033	399032
	Thunderbird		399036	399036
1968	Custom		399020	398012
	Fairlane		399023	394155
	Falcon		399023	394155
	Galaxie		399020	398012
	Mustang		399022	399032
	Thunderbird		399036	399036
1967	Custom		399001	398009
	Fairlane		399023	394155
	Falcon		399023	394155
	Galaxie		399001	398009
	Mustang		399022	399032
	Thunderbird		399036	399036
1966	Custom		399001	398009
	Fairlane		399023	399035
	Falcon		399023	399035
	Galaxie		399001	398009
	Mustang		399022	399022
1965	Custom		399001	398009
	Fairlane		399021	399021

# Classic Heater Cores

▶ Northern offers a full line of replacement heater cores for classic applications!

YR	MODEL	REMARKS	PART #	
<b>FORD (cont'd)</b>			STD	A/C
1965	Falcon		399022	399022
	Galaxie		399001	398009
	Mustang		399022	399022
1964	Custom		399021	399021
	Fairlane		399021	399021
	Falcon		399007	399007
			399021	399021
			399022	399022
	Galaxie		399021	399021
	Mustang		399022	399022
1963	Fairlane		399011	399011
	Falcon		399007	399007
			399011	399011
			399021	399021
			399022	399022
<b>FORD TRUCK</b>			STD	A/C
1972	Bronco U-100		399024	399024
	F-Series Pickup		399024	----
	Ranchero		399023	----
1971	Bronco U-100		399024	399024
	F-Series Pickup		399024	----
	Ranchero		399023	399035
1970	Bronco U-100		399024	399024
	F-Series Pickup		399024	----
	Ranchero		399023	----
1969	Bronco U-100		399024	399024
	F-Series Pickup		399024	----
	Ranchero		399023	----
1968	Bronco U-100		399024	399024
	F-Series Pickup		399024	----
	Ranchero		399023	399035
1967	Bronco U-100		399024	399024
1966	Bronco U-100		399024	399024
<b>MERCURY</b>			STD	A/C
1972	Comet		399033	399032
	Cougar		399023	399032
1971	Comet		399033	399032
	Cougar		399023	399032
1970	Cougar		399033	399032
1969	Comet		399023	399032

YR	MODEL	REMARKS	PART #	
<b>MERCURY (cont'd)</b>			STD	A/C
1969	Cougar		399033	399032
1968	Comet		399023	394155
	Cougar		399022	399032
1967	Comet		399023	394155
	Cougar		399022	399032
1966	Comet		399035	----
<b>PLYMOUTH</b>			STD	A/C
1972	Barracuda		399109	399112
	Duster		399105	399105
1971	Barracuda		399109	399112
	Duster		399105	399105
	Road Runner		----	399112
	Satellite		394152	399112
1970	Barracuda		399109	399112
	Belvedere		399103	----
	Duster		399105	399105
	Satellite		399103	----
	1969	Barracuda		399104
	Belvedere		399101	----
	Satellite		399101	----
1968	Barracuda		399104	399104
	Belvedere		399101	----
	Fury		399101	----
	Satellite		399101	----
1967	Barracuda		399104	399104
	Belvedere		399101	----
	Fury		399101	----
	Satellite		399101	----
1966	Barracuda		399104	399104
	Belvedere		399101	----
	Fury		399101	----
1965	Barracuda		399104	399104
	Valiant		399104	399104
1964	Barracuda		399104	399104
	Valiant		399104	399104
<b>PONTIAC</b>			STD	A/C
1972	Firebird		398228	399072
	Grand Prix		398229	398226
	Lemans		398229	398226
1971	Firebird		398228	399072
	Grand Prix		398229	398226

# Classic Heater Cores

➤ Northern offers a full line of replacement heater cores for classic applications!

YR	MODEL	REMARKS	PART #	
<b>PONTIAC (cont'd)</b>			STD	A/C
1971	Lemans		398229	398226
1970	Firebird		398228	399072
	Grand Prix		398229	398226
	Lemans, GTO		398229	398226
	Tempest		398229	398226
1969	Firebird		398228	398222
	Grand Prix		398229	398226
	Lemans		398229	398226
	Tempest		398229	398226
1968	Firebird		399063	399054
	Grand Prix		399041	399061
	Lemans, GTO		398229	399061
	Tempest		398229	399061
1967	Firebird		399063	399054
	Grand Prix		399041	399061
	GTO		399040	399047
	Tempest		399064	399047
1966	Grand Prix		399041	399061
	GTO		399040	399047
	Tempest		399064	399047

YR	MODEL	REMARKS	PART #	
<b>PONTIAC (cont'd)</b>			STD	A/C
1965	Grand Prix		399041	399061
	GTO		399040	399047
	Tempest		399064	399047
1964	Grand Prix		399044	399044
	GTO		399040	399047
	Tempest		399064	399047



➤ Didn't see your application? Go to [www.NorthernRadiator.com](http://www.NorthernRadiator.com)

## Heater Sealing Foam

Increase heater output and eliminate air leaks by the heater, with this special high density foam. Has a self adhesive back and is designed for pressurized air sealing in automotive heaters, heat ducting or weather stripping. Available in 25' rolls or convenient 3' single use packs. (Single use pack for 1 heater core installation)

➤ **RW2300** 3/4" Thick x 1 1/4" Wide x 25' Roll

➤ **RW2301** 3/4" Thick x 1 1/4" Wide x 3' Roll



## Heater Mount Plate

Mounting plate for original '55-'56 Chevy heater or for Northern heater HR2055.

New galvanized steel mounting plate replaces original and prevents future rust.

Size: 10 3/4" x 7 1/4"

Material: 20 GAUGE GALVANIZED STEEL

➤ **HR2056**



## Heater Mount Plate

Mounting plate for original '57 Chevy heater or for Northern heater HR2057.

New galvanized steel mounting plate replaces original and prevents future rust.

Size: 10 5/8" x 8 5/16"

Material: 20 GAUGE GALVANIZED STEEL

➤ **HR2058**





 Most comprehensive, leading-edge website!  
**[www.NorthernRadiator.com](http://www.NorthernRadiator.com)**

Updated and maintained daily, Northern Radiator's website is as **"Real-Time"** as it gets!

- Agricultural Radiators, Condensers & Evaporators
- Skidsteer, Bobcat, Backhoe Radiators and much more construction equipment.
- Automotive Radiators, Condensers, Fuel Tanks and Sending Units
- Heavy Duty Truck and Bus Radiators, Condensers and Charge Air Coolers
- Forklift Radiators

 **AND SO MUCH MORE!**

*Northern*<sup>®</sup>  
**RADIATOR**

2701 4th Avenue SW • Willmar, MN 56201  
(320) 235-2288

[www.NorthernRadiator.com](http://www.NorthernRadiator.com)

